

| PART NO. | ENGINEERING NO. | FINISHED LENGTH |
|------------|-----------------|-----------------|
| 1300622001 | 104007K31M020 | 2M (6' 7") |
| 1300622002 | 104007K31M030 | 3M (9' 10") |

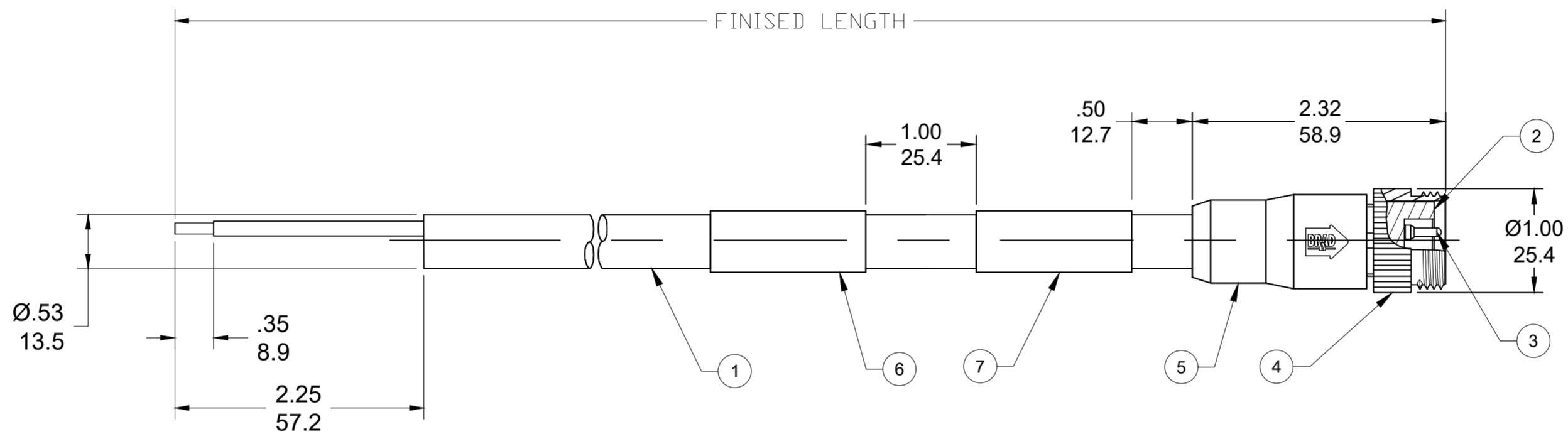
PART NUMBER LEGEND

104007K31M020

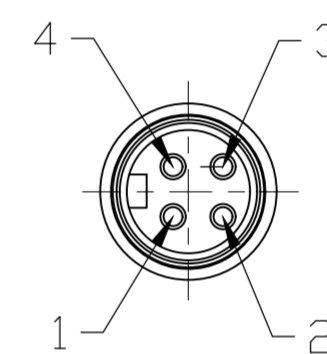
CABLE TYPE
16/4 TC-ER
TPE SHLD FLEX

FINISHED LENGTH:
M005= 0.5 METER
M010= 1 METER
M100= 10 METER

| CABLE LENGTH TOLERANCES | |
|--------------------------|-------------------------|
| >.3M [1FT]: | +19mm-0 [+.75in-0] |
| .3 - .9M [1 - 3FT]: | +44.5mm-0 [+1.75in-0] |
| .9 - 1.8M [3 - 6FT]: | +55.6mm-0 [+2.19in-0] |
| 1.8 - 3.7M [6 - 12FT]: | +88.9mm-0 [+3.50in-0] |
| 3.7 - 7.3M [12 - 24FT]: | +165.1mm-0 [+6.50in-0] |
| 7.3-14.6M [24 - 48FT]: | +317.5mm-0 [+12.50in-0] |
| 14.6 - 30.5M [48-100FT]: | +622.3mm-0 [+24.50in-0] |
| OVER 30M [100FT]: | +2% OF FINISHED LENGTH |

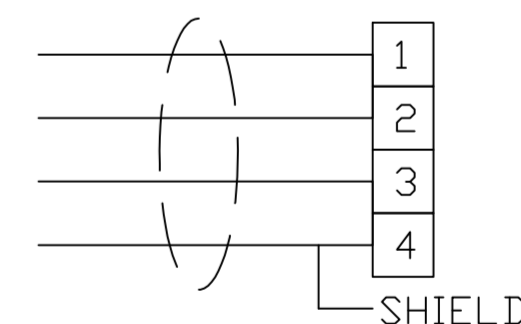


MALE FACE VIEW



- 1 BLACK #1
- 2 BLACK #2
- 3 BLACK #3
- 4 GREEN/YELLOW

MALE



WIRE DIAGRAM

- NOTES:**
- MATERIAL: AS NOTED
 - FINISH: AS NOTED
 - ELECTRICAL:
VOLTAGE: 483 PER IEC 60664
600 PER UL 2237
CURRENT: 10A
 - TEMP RATING: -25° TO +90°C
 - PROTECTION: IP67 (WHEN MATED)
 - COUPLING THREAD: 7/8-16 UN
 - CABLE FLEX CYCLE RATING: 10 MILLION
 - AGENCY APPROVAL: UL 2237 PENDING
 - ALL DIMS ARE FOR REFERENCE UNLESS TOLERANCED OR NOTED OTHERWISE

| ITEM | DESCRIPTION | MATERIAL | FINISH |
|------|-------------------------|---------------|--------------|
| 7 | WARNING LABEL | VINYL | BLACK/ORANGE |
| 6 | WRAP LABEL | VINYL | BLACK/YELLOW |
| 5 | OVERMOLD | TPE | GRAY |
| 4 | COUPLING, MALE | ZINC DIE CAST | BLACK |
| 3 | CONTACT PIN | COPPER ALLOY | GOLD PLATED |
| 2 | MALE INSERT (A-SIZE) | TPE | BLACK |
| 1 | CABLE, 16AWG VFD (FLEX) | TPE JACKET | BLACK |

| | | | | |
|---|---|---|---|--|
| SYMBOLS DIMENSION UNITS: INCH SCALE: 1:1 CURRENT REV DESC: RELEASED GENERAL TOLERANCES (UNLESS SPECIFIED) 4 PLACES ±.004 ±.004 3 PLACES ±.004 ±.004 2 PLACES ±.004 ±.004 1 PLACE ±.004 ±.004 0 PLACES ±.004 ±.004 ANGULAR TOL ±.004 ° DRAFT WHERE APPLICABLE MUST REMAIN WITHIN DIMENSIONS THIRD ANGLE PROJECTION DRAWING: C-SIZE SERIES: 130062 | THIS DRAWING CONTAINS INFORMATION THAT IS PROPRIETARY TO MOLEX ELECTRONIC TECHNOLOGIES, LLC AND SHOULD NOT BE USED WITHOUT WRITTEN PERMISSION EC NO: 625034 DRWN: RSTONE 2019/10/01 CHK'D: CCHRSTKA 2019/10/03 APPR: BWOODMAN 2019/10/05 INITIAL REVISION: DRWN: RSTONE 2019/10/01 APPR: BWOODMAN 2019/10/05 | | molex BRAD POWER CABLE ASSY. 4P MALE STR 16AWG BLACK TPE VFD PRODUCT CUSTOMER DRAWING | |
| | DOCUMENT NUMBER: 1300622001 DOC TYPE: PSD DOC PART: 000 REVISION: A | MATERIAL NUMBER: SEE P/N CHART CUSTOMER: | SHEET NUMBER: 1 OF 1 | |