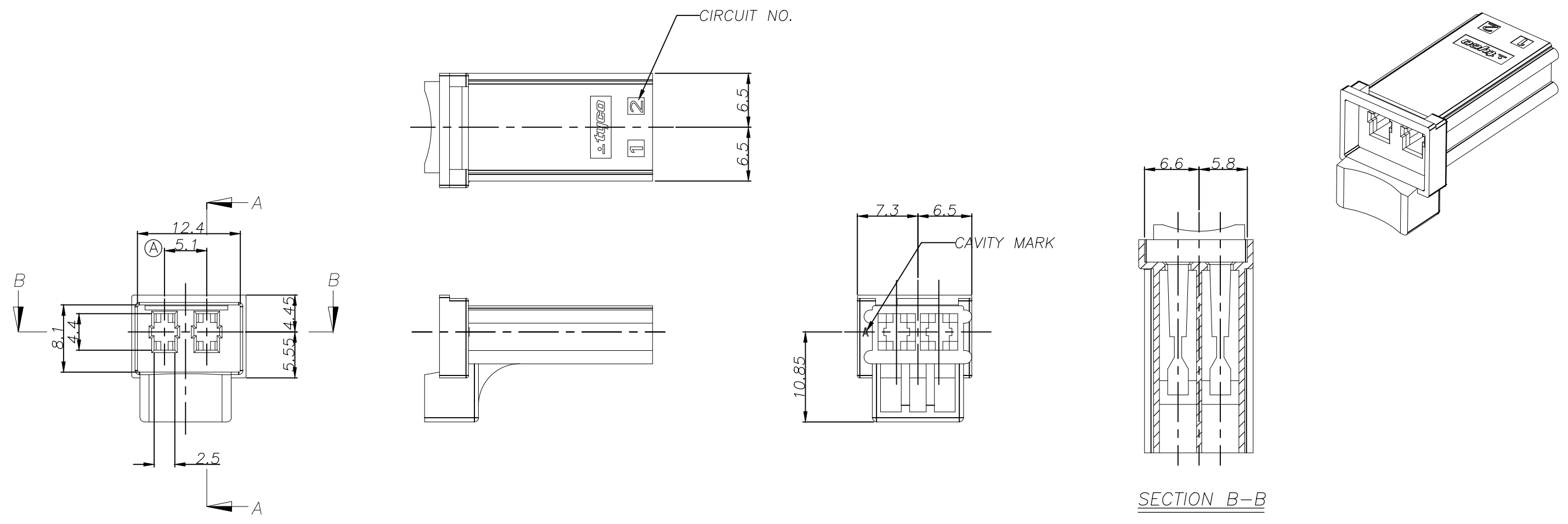


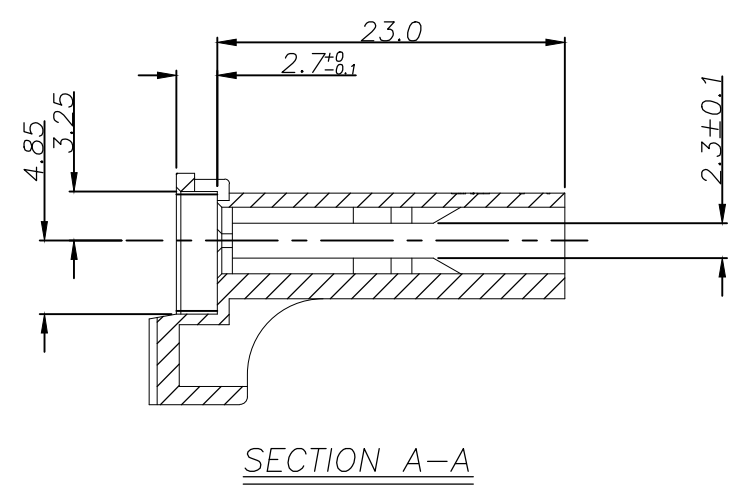
THIS DRAWING IS UNPUBLISHED. RELEASED FOR PUBLICATION
 © COPYRIGHT - TE Connectivity Ltd. ALL RIGHTS RESERVED.

REVISIONS					
P	LTR	DESCRIPTION	DATE	DWN	APVD
	A3	REVISED PER ECR-19-007802	13MAY2019	SC	BH



NOTES
 1. GENERAL TOLERANCES : ±0.25, ±1°
 2. APPLICABLE CONTACT P/N : 1217039-1

2-1743216-1	PA66, UL94 V-0, GWIT 775, GWT 750	NATURAL
1-1743216-1	PA66, UL94 V-0	NATURAL
1743216-1	PA66, UL94 V-2	NATURAL
PART NO.	MATERIAL	COLOR



THIS DRAWING IS A CONTROLLED DOCUMENT.		DWN BH CHO	STE TE Connectivity Ltd.		
DIMENSIONS: mm		CHK BW KANG			
TOLERANCES UNLESS OTHERWISE SPECIFIED.		APVD JK SONG	NAME		
0 PLC ± -		PRODUCT SPEC	GAS VALVE 2P CONNECTOR		
1 PLC ± -		APPLICATION SPEC	-		
2 PLC ± -		WEIGHT	SIZE	CAGE CODE	DRAWING NO
3 PLC ± -		SEE TABLE	A3	00779	C-1743216
4 PLC ± -			CUSTOMER DRAWING		
ANGLES ± -		SCALE 2:1			SHEET 1 OF 1
FINISH -		RESTRICTED TO			REV A3