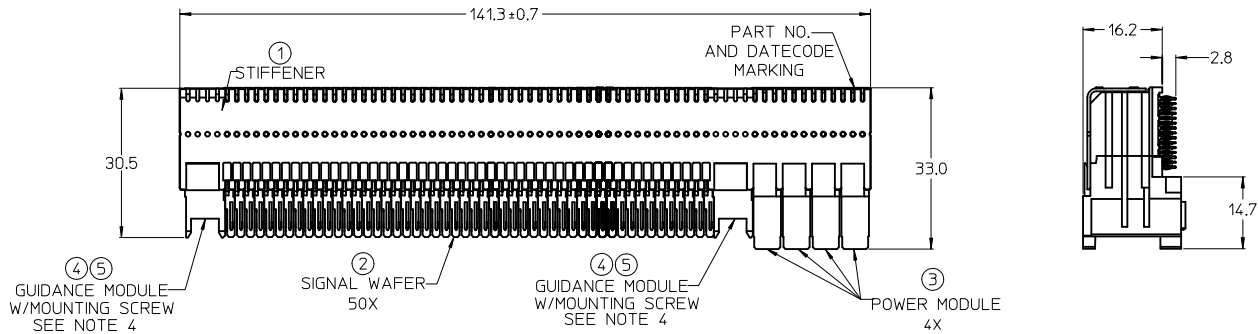


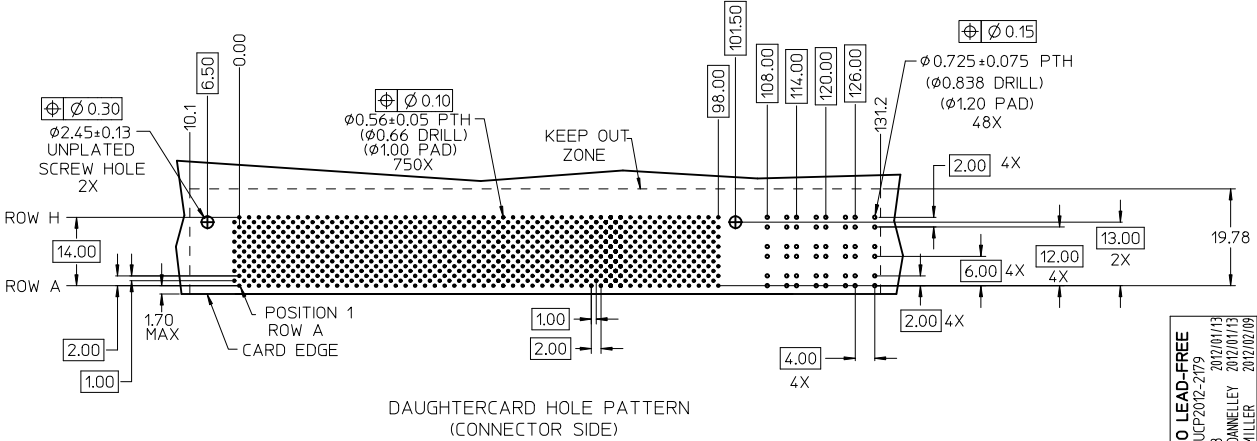
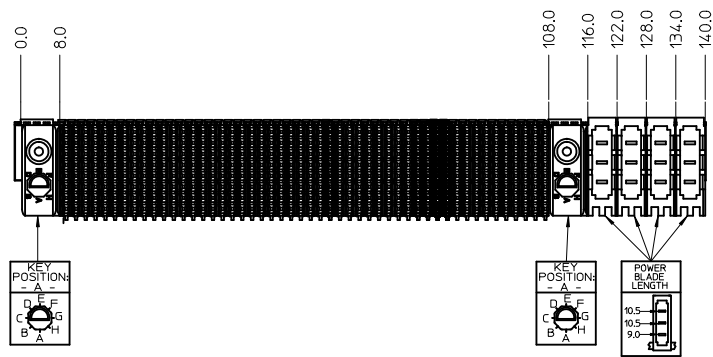
CUSTOMER: ELLACOYA



NOTES:

1. MATERIALS: HOUSING : LIQUID CRYSTAL POLYMER (LCP) GLASS-FILLED, UL94V-0, BLACK.
TERMINALS: COPPER ALLOY
STIFFENER: STAINLESS STEEL
2. FINISH: SELECTIVE GOLD (Au) 0.76 micrometer MINIMUM IN CONTACT AREA, SELECTIVE MATTE TIN (Sn) IN TAIL AREA, NICKEL (Ni) UNDERPLATE OVERALL.
3. REFER TO MOLEX PRODUCT SPECIFICATION PS-74031-999 FOR PERFORMANCE SPECIFICATIONS.
4. PARTS TO BE PACKAGED PER PK-70873-5041. SCREWS PACKED IN BAG INSIDE TUBE.
5. THIS PART CONFORMS TO CLASS 'B' REQUIREMENTS OF MOLEX COSMETIC SPECIFICATION PS-45499-002.
6. REFER TO MOLEX DOCUMENT SD-74041-002 FOR ADDITIONAL DETAIL ON THE SIGNAL WAFER.
7. REFER TO MOLEX DOCUMENT SD-74037-006 FOR ADDITIONAL DETAIL ON THE GUIDANCE MODULE.
8. REFER TO MOLEX DOCUMENT SD-75885-002 FOR ADDITIONAL DETAIL ON THE LEAD-FREE POWER MODULE.
9. LABEL MARKED WITH MOLEX PART NUMBER AND DATE CODE. LABEL MAY BE REPLACED WITH LASER MARKING ON THE STIFFENER.

LEAD-FREE
PLATING



ITEM	PART NUMBER	PART DESCRIPTION	QTY
1	74046-0141	STIFFENER	1
2	74041-1001	SIGNAL WAFER, LF	50
3	75885-8233	POWER MODULE, LF	4
4	74037-8001	GUIDANCE MODULE - KEY 'A'	2
5	73726-0000	GUIDE MODULE MNTG SCREW	2

DAUGHTERCARD HOLE PATTERN
(CONNECTOR SIDE)

CHG TO LEAD-FREE EC NO: UCP202-2179 DRAWING: 2012/01/13 CHKD: SMALLEY 2012/01/13 APPR: SMILLER 2012/02/09 REV:	QUALITY SYMBOLS	GENERAL TOLERANCES (UNLESS SPECIFIED)	DIMENSION STYLE MM ONLY	SCALE 2:1	DESIGN UNITS METRIC	THIRD ANGLE PROJECTION
	▽=0	4 PLACES ±--- mm ±--- INCH	DRAWN BY VARVARA	DATE 05/08/19	TITLE VHDM 8 ROW, LF DAUGHTERCARD SALES DRAWING	
	▽=0	3 PLACES ±--- mm ±--- INCH	CHECKED BY KMULVEY	DATE 05/08/19	MATERIAL NO. 74040-1106	
	▽=0	2 PLACES ±0.25 mm ±--- INCH 1 PLACE ±0.38 mm ±--- INCH	APPROVED BY SMILLER	DATE 2012/02/09	DOCUMENT NO. SD-74040-1106	
DRAFT WHERE APPLICABLE MUST REMAIN WITHIN DIMENSIONS		ANGULAR ±1/2°	MOLEX INCORPORATED SHEET NO. 1 OF 1			