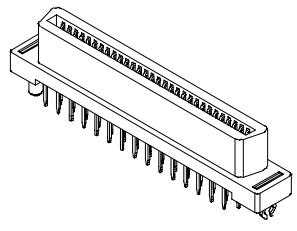
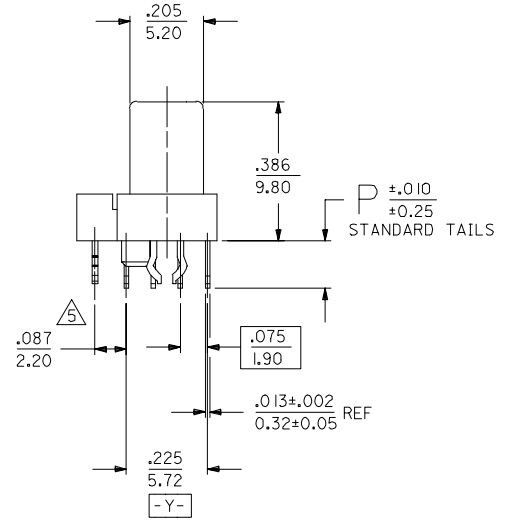
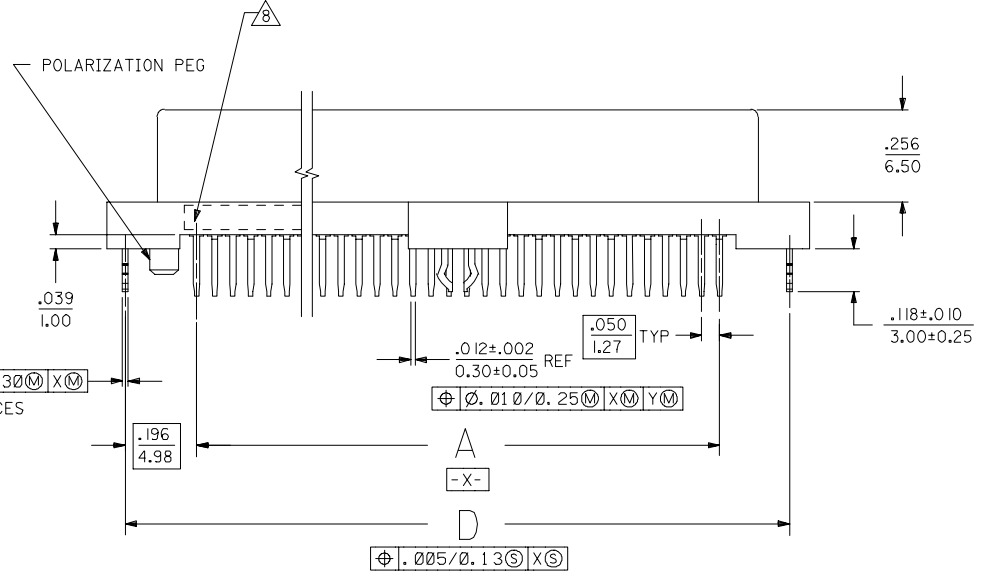


NOTES:

- 1) MATERIALS:
HOUSING- LCP, GLASS FILLED, 94V-0, BLACK.
TERMINALS- COPPER ALLOY
METAL PEGS- COPPER ALLOY
 - 2) FINISH:
TERMINALS:
.000030/(0.00076) MINIMUM GOLD IN CONTACT AREA OVER
.000050/(0.00127) MINIMUM TIN IN TAIL AREA OVER
.000075/(0.00191) MINIMUM NICKEL UNDERPLATE OVERALL.
 - 3) ASSEMBLY MATES WITH MOLEX P/N SDA-71661-****.
 - 4) CONFORMS TO PRODUCT SPECIFICATION PS-71660.
- 5) CENTER PEG IS ONLY ON I20 AND I30 CIRCUIT ASSEMBLIES.
- 6) RECOMMENDED P.C. BOARD THICKNESS IS .062 (1.6).
- 7) CONNECTOR WILL ACCEPT MATING TO A P.C. BOARD WITH A THICKNESS OF .062±.003.
- 8) FOUR DIGIT DATE CODE (WK YR), EXAMPLE => 26 96 LOCATED IN AREA INDICATED.
- 9) PRODUCT TO BE PACKAGED IN TUBES

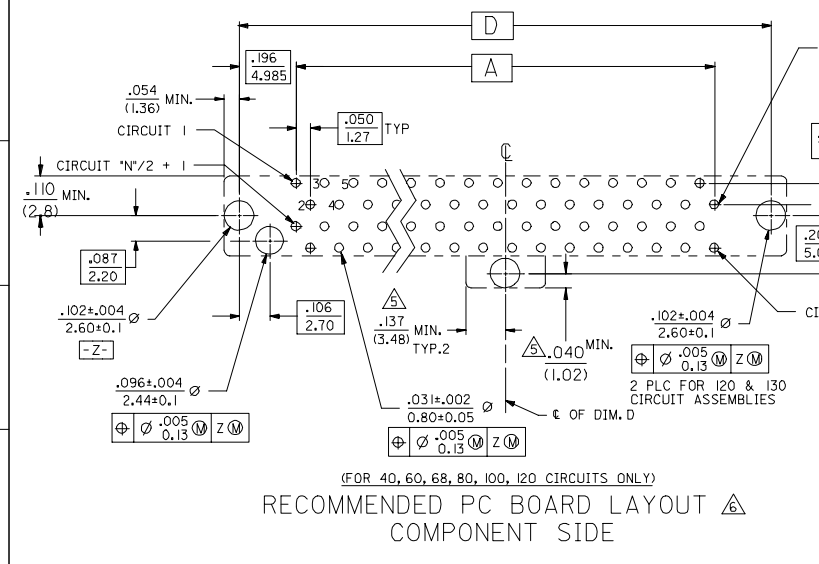
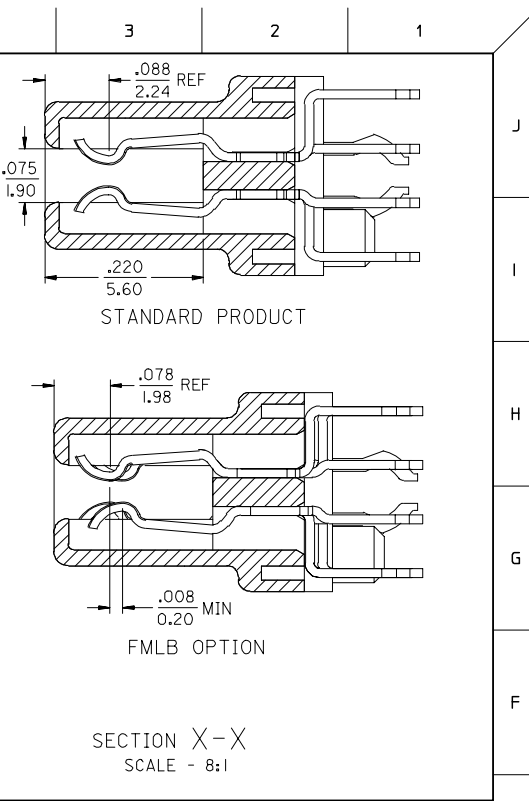


60 CIRCUIT ASSEMBLY SHOWN
SCALE 2:1

2	C
1	C
SHT	REV

ADD 71660-9980 EC NO: UCP2007-0593 DRWNS:IBARRA 2006/09/27 CHKD:DMORGAN 2006/09/26 APPR:SMILLER 2006/09/27 REV DESCRIPTION	QUALITY SYMBOLS	GENERAL TOLERANCES (UNLESS SPECIFIED)	DIMENSION STYLE	SCALE	DESIGN UNITS	THIRD ANGLE PROJECTION
	▽=0 ▽=0	mm INCH 4 PLACES ± --- ± --- 3 PLACES ± --- ±.005 2 PLACES ± 0.13 ±.01 1 PLACE ± 0.25 ± --- ANGULAR ±1/2°	IN/MM	4:1	INCH	DRAWN BY DATE RKADAMS 08/11/2004 CHECKED BY DATE BBARKER 08/11/2004 APPROVED BY DATE SMILLER 08/11/2004 MATERIAL NO. SEE TABLE DOCUMENT NO. SD-71660-006 SHEET NO. 1 OF 2
		DRAFT WHERE APPLICABLE MUST REMAIN WITHIN DIMENSIONS	SIZE C	SALES ASSEMBLY MOLEX EBBI 50D VERTICAL RECEPTACLE CONNECTOR MOLEX INCORPORATED		
				THIS DRAWING CONTAINS INFORMATION THAT IS PROPRIETARY TO MOLEX INCORPORATED AND SHOULD NOT BE USED WITHOUT WRITTEN PERMISSION		

	13	12	11	10	9	8	7	6	5	4	3	2	1	
	ITEM NUMBER		CKT ('N')	A	B	C	D	P	ADVANCED TERMINALS / CKTS SEE SECTION X-X "FMLB OPT"					
J			30	.700 (17.78)	.918 (23.32)	1.199 (30.45)	1.092 (27.75)							
			40	.950 (24.13)	1.168 (29.67)	1.449 (36.80)	1.342 (34.10)							
			50	1.200 (30.48)	1.418 (36.02)	1.699 (43.15)	1.592 (40.45)							
I		71660-9960	60	1.450 (36.83)	1.668 (42.37)	1.949 (49.50)	1.842 (46.80)	.134 (3.40)	N/A					
		71660-9968	68	1.650 (41.91)	1.868 (47.45)	2.149 (54.58)	2.042 (51.88)							
		71660-9980	80	1.950 (49.53)	2.168 (55.07)	2.449 (62.20)	2.342 (59.50)							
			100	2.450 (62.23)	2.668 (67.77)	2.949 (74.90)	2.842 (72.20)							
			120	2.950 (74.93)	3.168 (80.47)	3.449 (87.60)	3.342 (84.90)							
			130	3.200 (81.28)	3.418 (86.82)	3.699 (93.95)	3.592 (91.25)							
H		71660-1450	30	.700 (17.78)	.918 (23.32)	1.199 (30.45)	1.092 (27.75)	.110 (2.79)	N/A					
			40	.950 (24.13)	1.168 (29.67)	1.449 (36.80)	1.342 (34.10)							
			50	1.200 (30.48)	1.418 (36.02)	1.699 (43.15)	1.592 (40.45)							
		71660-1863	68	1.650 (41.91)	1.868 (47.45)	2.149 (54.58)	2.042 (51.88)							
		71660-1083	80	1.950 (49.53)	2.168 (55.07)	2.449 (62.20)	2.342 (59.50)							
G		71660-1491	100	2.450 (62.23)	2.668 (67.77)	2.949 (74.90)	2.842 (72.20)	.155 (3.94)	N/A					
			120	2.950 (74.93)	3.168 (80.47)	3.449 (87.60)	3.342 (84.90)							
			130	3.200 (81.28)	3.418 (86.82)	3.699 (93.95)	3.592 (91.25)							
F			50	1.200 (30.48)	1.418 (36.02)	1.699 (43.15)	1.592 (40.45)	.134 (3.40)	2-4, 8-11, 14, 17, 20, 23, 26-29, 31, 32, 34, 36, 39, 42, 45, 48, 49					
			30	.700 (17.78)	.918 (23.32)	1.199 (30.45)	1.092 (27.75)							
			40	.950 (24.13)	1.168 (29.67)	1.449 (36.80)	1.342 (34.10)							
			50	1.200 (30.48)	1.418 (36.02)	1.699 (43.15)	1.592 (40.45)							
			60	1.450 (36.83)	1.668 (42.37)	1.949 (49.50)	1.842 (46.80)							
			68	1.650 (41.91)	1.868 (47.45)	2.149 (54.58)	2.042 (51.88)							
			80	1.950 (49.53)	2.168 (55.07)	2.449 (62.20)	2.342 (59.50)							
E			100	2.450 (62.23)	2.668 (67.77)	2.949 (74.90)	2.842 (72.20)							
			120	2.950 (74.93)	3.168 (80.47)	3.449 (87.60)	3.342 (84.90)							
			130	3.200 (81.28)	3.418 (86.82)	3.699 (93.95)	3.592 (91.25)							



ADD 71660-9980 FCC NO: UCP2007-0593 DRAWN BY: BARBARA 2006/09/21 CHKD: JORGAN 2006/09/26 APPR: SMILLER 2006/09/27	QUALITY SYMBOLS ▽=0 ▽=0	GENERAL TOLERANCES (UNLESS SPECIFIED) <table border="1"> <thead> <tr> <th></th> <th>mm</th> <th>INCH</th> </tr> </thead> <tbody> <tr> <td>4 PLACES</td> <td>± .15</td> <td>± .005</td> </tr> <tr> <td>3 PLACES</td> <td>± .10</td> <td>± .005</td> </tr> <tr> <td>2 PLACES</td> <td>± 0.13</td> <td>± .01</td> </tr> <tr> <td>1 PLACE</td> <td>± 0.25</td> <td>± .01</td> </tr> </tbody> </table>			mm	INCH	4 PLACES	± .15	± .005	3 PLACES	± .10	± .005	2 PLACES	± 0.13	± .01	1 PLACE	± 0.25	± .01	DIMENSION STYLE IN/MM	SCALE 4:1	DESIGN UNITS INCH	THIRD ANGLE PROJECTION
			mm	INCH																		
4 PLACES	± .15	± .005																				
3 PLACES	± .10	± .005																				
2 PLACES	± 0.13	± .01																				
1 PLACE	± 0.25	± .01																				
DRAFT WHERE APPLICABLE MUST REMAIN WITHIN DIMENSIONS		DRAWN BY: RKADAMS 08/11/2004 CHECKED BY: BBARKER 08/11/2004 APPROVED BY: SMILLER 08/11/2004	DATE: 08/11/2004 DATE: 08/11/2004 DATE: 08/11/2004	SALES ASSEMBLY MOLEX EBBI 50D VERTICAL RECEPTACLE CONNECTOR MOLEX INCORPORATED																		
		MATERIAL NO. SEE TABLE	DOCUMENT NO. SD-71660-006	SHEET NO. 2																		