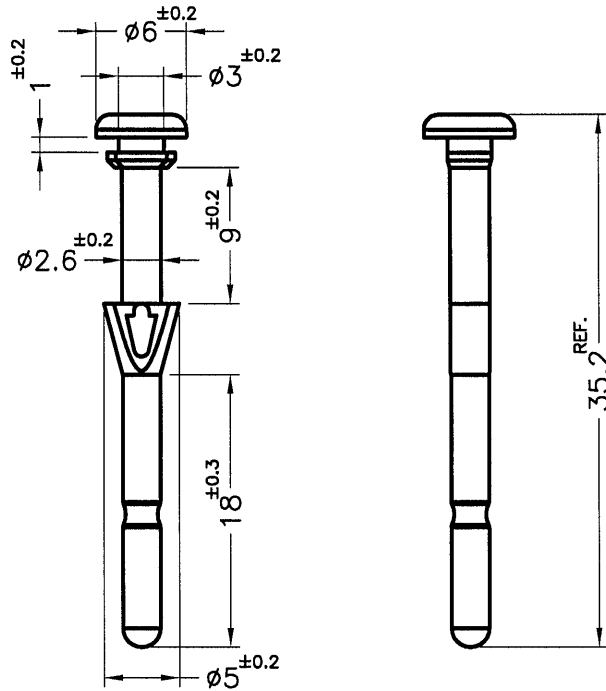



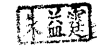
REVISIONS			
REV	DESCRIPTION	DATE	BY



PART NO.	HANDRESS
BUB-127G	$45^\circ \pm 10^\circ$
BUB-127H(B)	$55^\circ \pm 10^\circ$

FAN MOUNTING  $\phi 2.7$  THICKNESS 10.0mm  
 CHASSIS MOUNTING  $\phi 3.1$  THICKNESS 1.0mm

NOTE:MADE OF EQUIVALENT MATERIAL.  
 使用同等材質

 <p>康揚企業股份有限公司          KANG YANG HARDWARE ENTERPRISE CO., LTD.          康揚塑膠(東莞)有限公司          KANG YANG PLASTIC(DONG GUAN) CO., LTD.          康哲電腦配件(吳江)有限公司          KANG CHE COMPUTER COMPONENTS(WUJIANG) CO., LTD.</p>	TITLE		FAN SNAP RIVET		SPEC. DWG.	
	MATERIAL		TPE		DATE	
	HANDRESS		SEE ABOVE		DRAWN	
	COLOR		BLACK		CHECK	
PART NUMBER		DRAWING NUMBER		APPROVED		 <i>Kang</i>
SEE ABOVE		BUB-127		UNLESS OTHERWISE SPECIFIED TOLERANCE		
SIZE	SCALE	UNIT	REV	SEE ABOVE		
A4	2:1	mm	C			