

THE INFORMATION CONTAINED HEREIN IS CONSIDERED "PROPRIETARY" TO BEL FUSE INC. AND SHALL NOT BE COPIED, REPRODUCED OR DISCLOSED WITHOUT THE WRITTEN APPROVAL OF BEL FUSE INC.

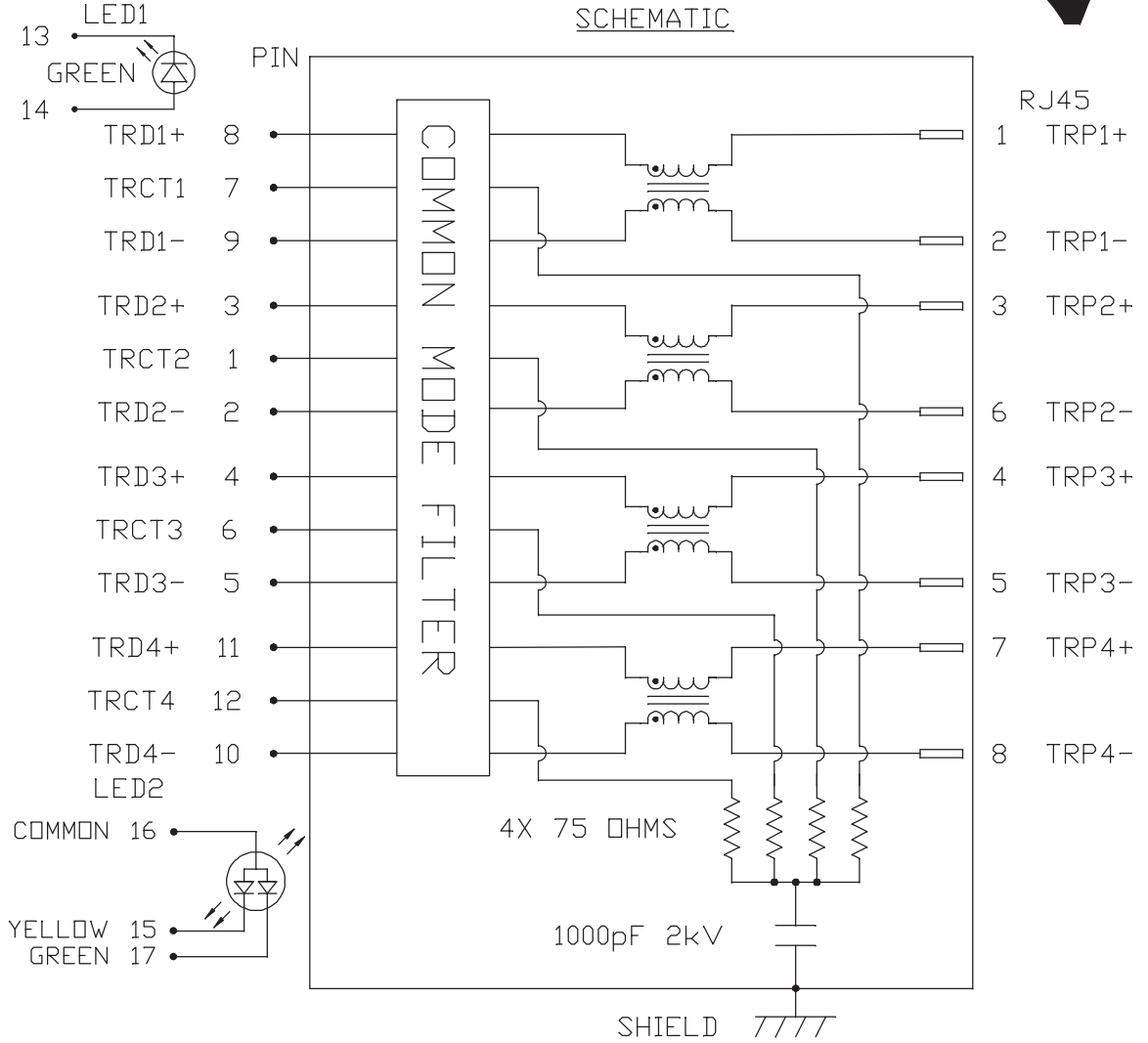
LED1 POLARITY			LED2 POLARITY			
PIN 13	PIN 14	COLOR	PIN 15	PIN 16	PIN 17	COLOR
-	+	GREEN	-	+	-	YELLOW
				+	-	GREEN



ELECTRICAL CHARACTERISTICS @ 25°C

<p> URNS RATIO TP1 1CT : 1CT TP2 1CT : 1CT TP3 1CT : 1CT TP4 1CT : 1CT INS. LOSS (MAX) 1MHz TO 20MHz -0.8 dB 50MHz -1.0 dB 200MHz -1.2 dB 400MHz -2.0 dB 500MHz -3.0 dB RET. LOSS (MIN) 1MHz - 40MHz -16 dB 40MHz - 400 MHz -16+10LOG (F/40) dB 400MHz - 500 MHz -6+30LOG (F/400) dB CM TO CM REJ 1MHz - 500MHz -30 dB MIN CM TO DM REJ 1MHz - 500MHz -30 dB MIN HIPOT (Isolation Voltage): 2250VDC 100% OF PRODUCTION TESTED TO COMPLY WITH IEEE 802.3 ISOLATION REQUIREMENTS. </p>	
--	--

<p> LED 1 VF (FORWARD VOLTAGE) IF=20mA GREEN 2.2V TYP. λD (DOMINANT WAVELENGTH) IF=20mA GREEN 570nm TYP. LED 2 VF (FORWARD VOLTAGE) IF=20mA GREEN 2.2V TYP. YELLOW 2.1V TYP. λD (DOMINANT WAVELENGTH) IF=20mA GREEN 570nm TYP. YELLOW 590nm TYP. </p>	
--	--



REV. : C PAGE : 2

ORIGINATED BY
 CHOW WANCHUNG
DATE 2016-01-23

DRAWN BY
 HU XIANG
DATE 2016-01-23

TITLE
 10 gigabit MagJack®
 (Ultra Low Profile)
 PATENTED

PART NO. / DRAWING NO.
 G10-1GHT-035

FILE NAME
 G10-1GHT-035_C.DWG

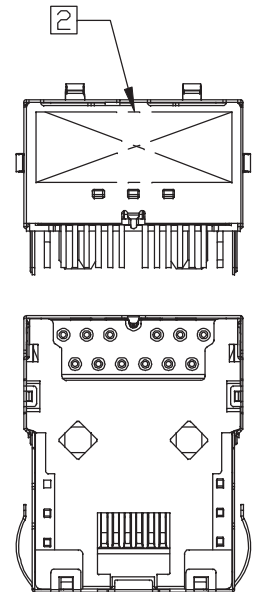
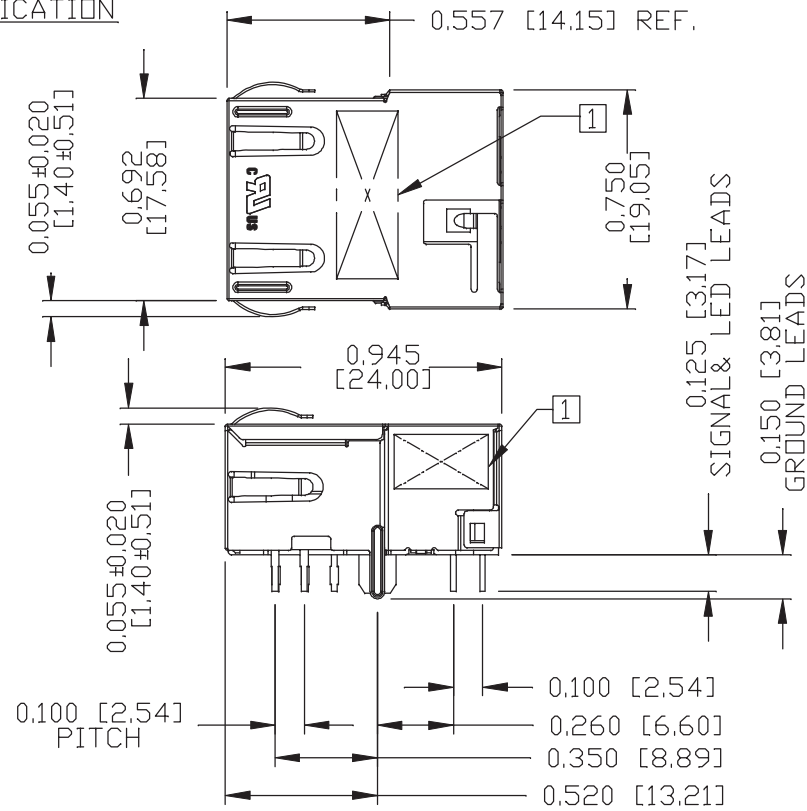
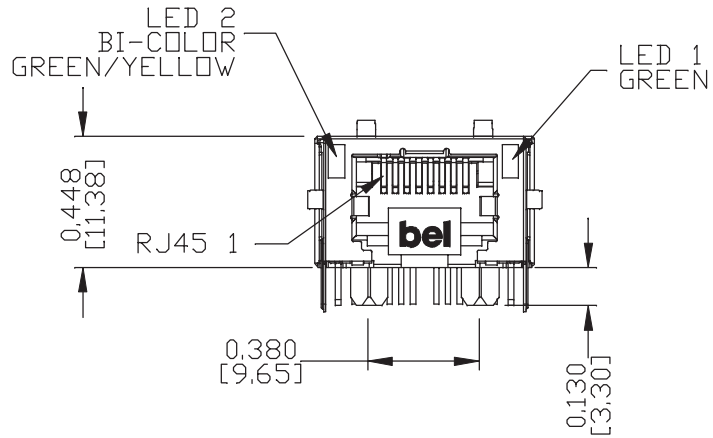
STANDARD DIM. [] METRIC DIM.
TOL. IN INCH AS REF.
 .X UNIT : INCH [mm]
 .XX SCALE : N/A
 .XXX SIZE : A4



THE INFORMATION CONTAINED HEREIN IS CONSIDERED "PROPRIETARY" TO BEL FUSE INC. AND SHALL NOT BE COPIED, REPRODUCED OR DISCLOSED WITHOUT THE WRITTEN APPROVAL OF BEL FUSE INC.

MECHANICAL SPECIFICATION

RoHS



NOTES:
 PLASTIC HOUSING: THERMOPLASTIC PA
 FLAMMABILITY RATING UL 94V-0
 CONTACTS: 50 MICRO-INCH HARD GOLD PLATING OR EQUIVALENT.
 OUTPUT PINS: TIN-COATED COPPER WIRE, DIA 0.018 INCH.
 METAL SHIELD: NICKEL PLATED ON COPPER ALLOY,
 (ALL GROUND LEADS ARE SOLDER DIPPED)

- 1. MARK PART WITH PART NUMBER (G10-1GHT-035), DATE CODE AND PATENTED.
- 2. MARK PART WITH MFG. LOGO, MFG. NAME ON BACK VIEW.
- 3. THE PRODUCT IS RoHS COMPLIANT.
 JACK CAVITY CONFORMS TO FCC RULES AND REGULATIONS.

- 4. THE PRODUCT IS PATENT PRODUCT, THE PATENT NUMBER ARE U.S. PAT. 7,429,195 AND U.S. PAT. 6,840,817 AND U.S. PAT. 7,924,130.
- 5. THE AXIAL RETENTION FORCE OF RJ PORT IS 15LBS MIN.

REV. : C PAGE : 3

ORIGINATED BY SANDY LIN	TITLE 10 gigabit MagJack® (Ultra Low Profile) PATENTED	PART NO. / DRAWING NO. G10-1GHT-035	STANDARD DIM. TOL. IN INCH	[] METRIC DIM. AS REF.
DATE 2016-01-23		FILE NAME G10-1GHT-035_C.DWG	.X	UNIT : INCH [mm]
DRAWN BY XUE RIPING			.XX	SCALE : N/A
DATE 2016-01-23			.XXX ±0.010	SIZE : A4



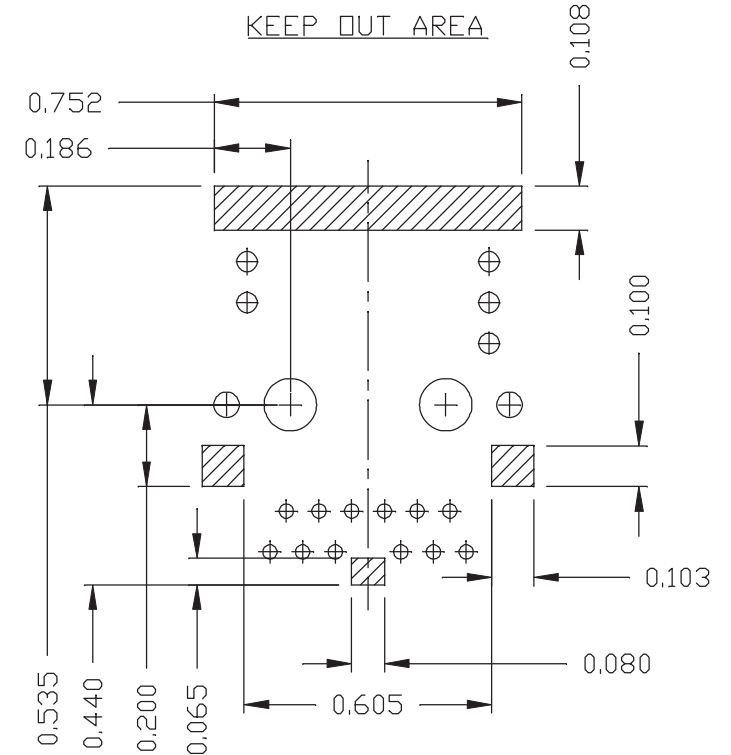
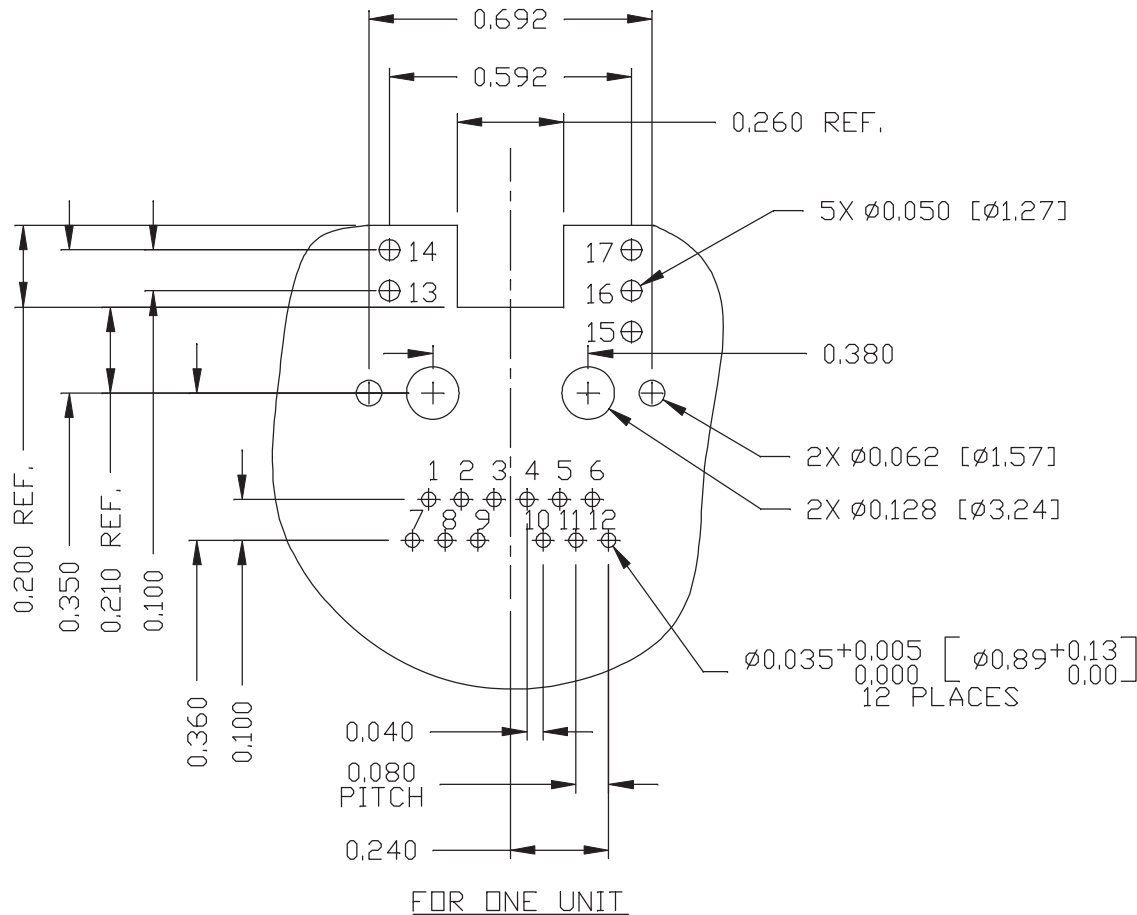
THE INFORMATION CONTAINED HEREIN IS CONSIDERED "PROPRIETARY" TO BEL FUSE INC. AND SHALL NOT BE COPIED, REPRODUCED OR DISCLOSED WITHOUT THE WRITTEN APPROVAL OF BEL FUSE INC.

RoHS



RECOMMENDED PCB FOOTPRINT

COMPONENT SIDE VIEW



THE SHADED AREA ON THE CUSTOMER BOARD ARE RECOMMENDED TO BE CLEAR OFF ANY VIA HOLE OR COMPONENT PAD.

ORIGINATED BY
SANDY LIN
DATE 2016-01-23
DRAWN BY
XUE RIPING
DATE 2016-01-23

TITLE
10 Gigabit MagJack®
(Ultra Low Profile)
PATENTED

PART NO. / DRAWING NO.
G10-1GHT-035
FILE NAME
G10-1GHT-035_C.DWG

STANDARD DIM. TOL. IN INCH	[] METRIC DIM. AS REF.
.X	UNIT : INCH [mm]
.XX	SCALE : N/A
.XXX	SIZE : A4

REV. : C PAGE : 4

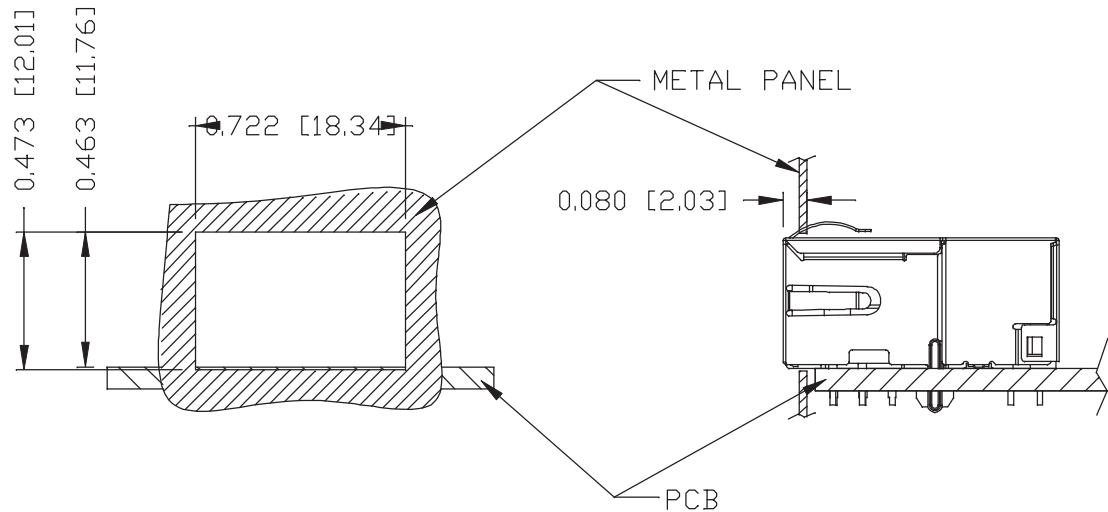


THE INFORMATION CONTAINED HEREIN IS CONSIDERED "PROPRIETARY" TO BEL FUSE INC. AND SHALL NOT BE COPIED, REPRODUCED OR DISCLOSED WITHOUT THE WRITTEN APPROVAL OF BEL FUSE INC.

RoHS



SUGGESTED PANEL OPENING



NOTE:

THE DISTANCE OF PANEL INSIDE SURFACE RELATIVE TO FRONT SURFACE OF PART IS ONLY A SUGGESTION. IN CASE THIS DISTANCE IS DIFFERENT, THE REQUIRED PANEL OPENING DIMENSIONS CHANGE ACCORDINGLY.

TRAY PACKING INFORMATION

PACKING TRAY : 0200-9999-E4 (TOP)
0200-9999-E5 (BOTTOM)

PACKING QUANTITY : 60 PCS FINISHED GOODS PER TRAY
11 TRAYS (660 PCS FINISHED GOODS) PER CARTON BOX

NOTE : CARDBOARDS ARE PLACED BETWEEN LAYERS OF PACKING TRAY INSIDE CARTON BOX (INCLUDE THE UPPERMOST AND LOWERMOST TRAY)

REV. : C	PAGE : 5
----------	----------

ORIGINATED BY SANDY LIN DATE 2016-01-23	TITLE 10 gigabit MagJack® (Ultra Low Profile) PATENTED	PART NO. / DRAWING NO. G10-1GHT-035	STANDARD DIM. TOL. IN INCH	[] METRIC DIM. AS REF.
		FILE NAME G10-1GHT-035_C.DWG	.X	UNIT : INCH [mm]
			.XX	SCALE : N/A
DRAWN BY XUE RIPING DATE 2016-01-23			.XXX ±0.004	SIZE : A4

