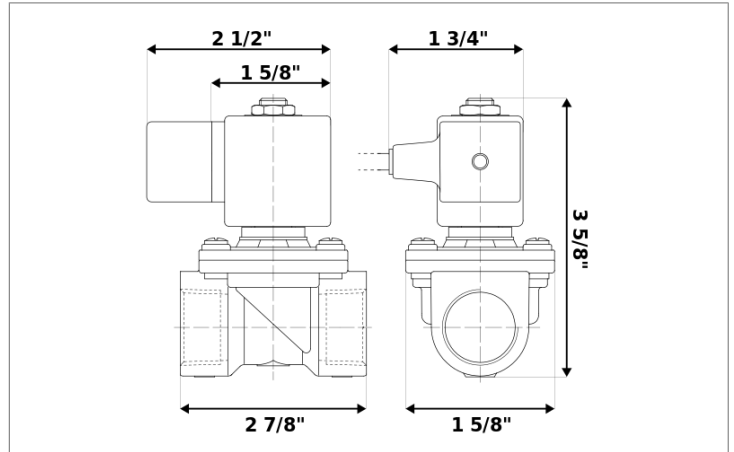


## DKSV094

Normally closed, pilot operated, 2-way solenoid valve with brass body and 1/2" connections



### Valve

|                      |                                       |
|----------------------|---------------------------------------|
| Pipe size:           | 1/2" NPT                              |
| Operating pressure:  | 2–300 psi                             |
| Flow coefficient:    | 1.8 Cv                                |
| Media temperature:   | 15–280 °F                             |
| Ambient temperature: | -5–140 °F                             |
| Suggested usage:     | Air, inert gas, synthetic oils, water |
| Operation:           | 2-way, normally closed solenoid valve |
| Mechanism:           | Pilot operated                        |
| Manual override:     | No                                    |
| Pipe gender:         | Female                                |
| Orifice size:        | 3/8"                                  |
| Media viscosity:     | 12 cSt                                |

### Materials

|               |                              |
|---------------|------------------------------|
| Body:         | Brass                        |
| Seal:         | Fluoroelastomer rubber (FKM) |
| Orifice:      | Brass                        |
| Core tube:    | Stainless steel 300          |
| Fixed core:   | Stainless steel 400          |
| Plunger:      | Stainless steel 400          |
| Spring:       | Stainless steel 300          |
| Shading ring: | Copper                       |

### Electrical

|                      |                     |
|----------------------|---------------------|
| Power:               | 24 V ac             |
| Connection:          | 6 ft. power cord    |
| Holding:             | 17 VA               |
| Inrush:              | 25 VA               |
| Voltage tolerances:  | +10% -15%           |
| Coil inner diameter: | 1/2"                |
| Coil molding:        | Polyethylene (PET)  |
| Coil rating:         | -5–355 °F (Class H) |
| Duty cycle:          | Continuous, 100% ED |
| Enclosure:           | NEMA 4, IP65        |

### Spare parts

| REPAIR KIT   | COIL/CONNECTOR  |
|--|---|
| RK-E0V1  | C-B32   |
| <ul style="list-style-type: none"> <li>• Diaphragm</li> <li>• O-ring</li> <li>• Plunger</li> </ul> | <ul style="list-style-type: none"> <li>• 24 V ac electrical coil</li> <li>• 6 ft. power cord</li> </ul> |