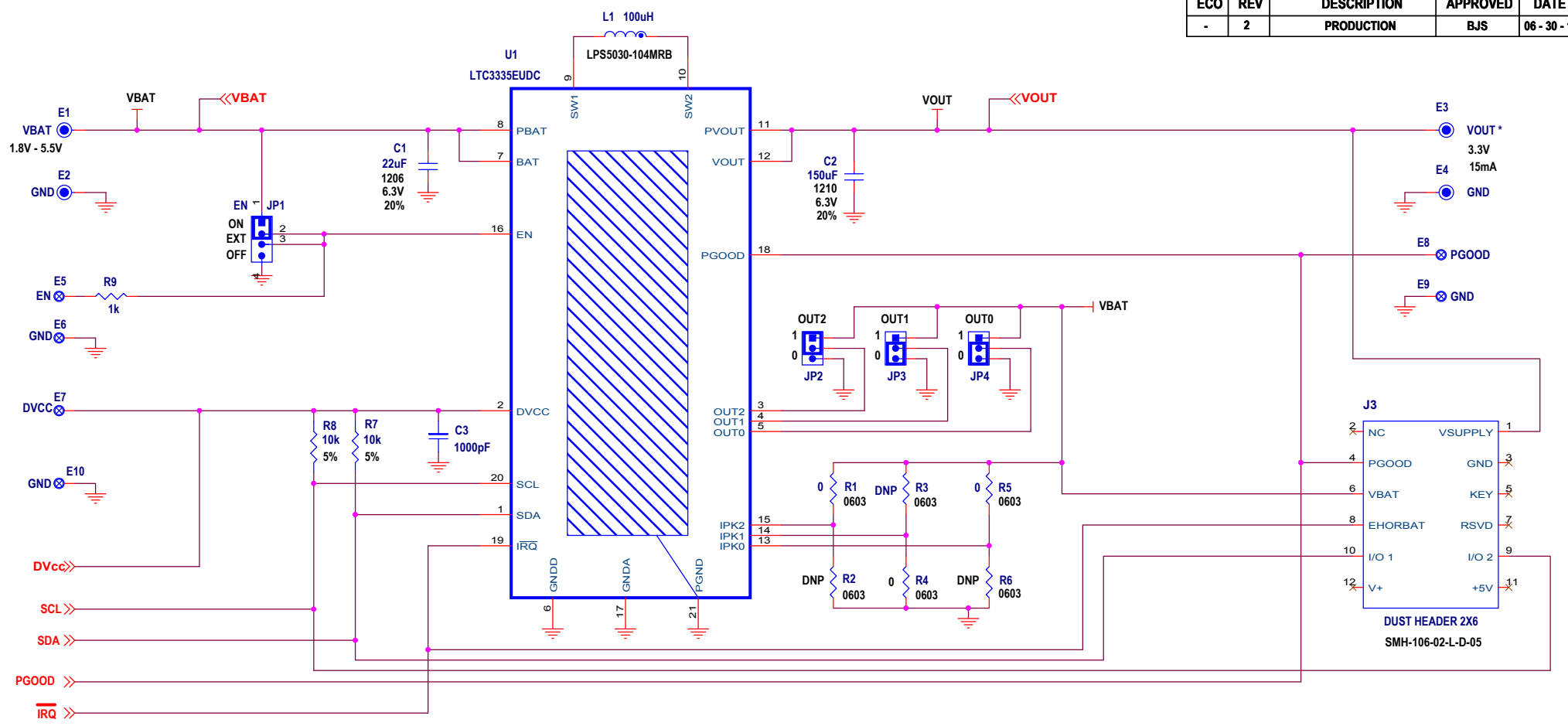


REVISION HISTORY				
ECO	REV	DESCRIPTION	APPROVED	DATE
-	2	PRODUCTION	BJS	06-30-15



**\*OUTPUT VOLTAGE SELECTION**

	OUT2	OUT1	OUT0	VOUT
	0	0	0	1.8V
	0	0	1	2.5V
	0	1	0	2.8V
	0	1	1	3.0V
D	1	0	0	3.3V
	1	0	1	3.6V
	1	1	0	4.5V
	1	1	1	5.0V

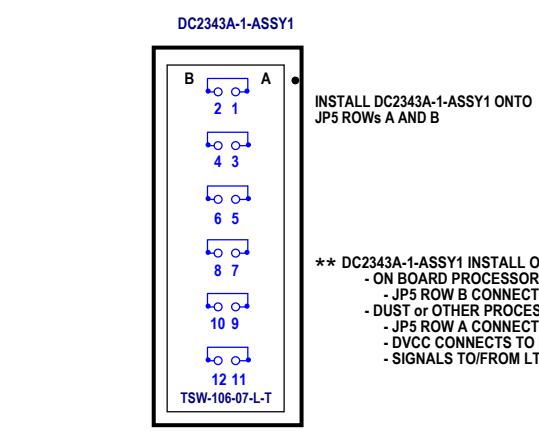
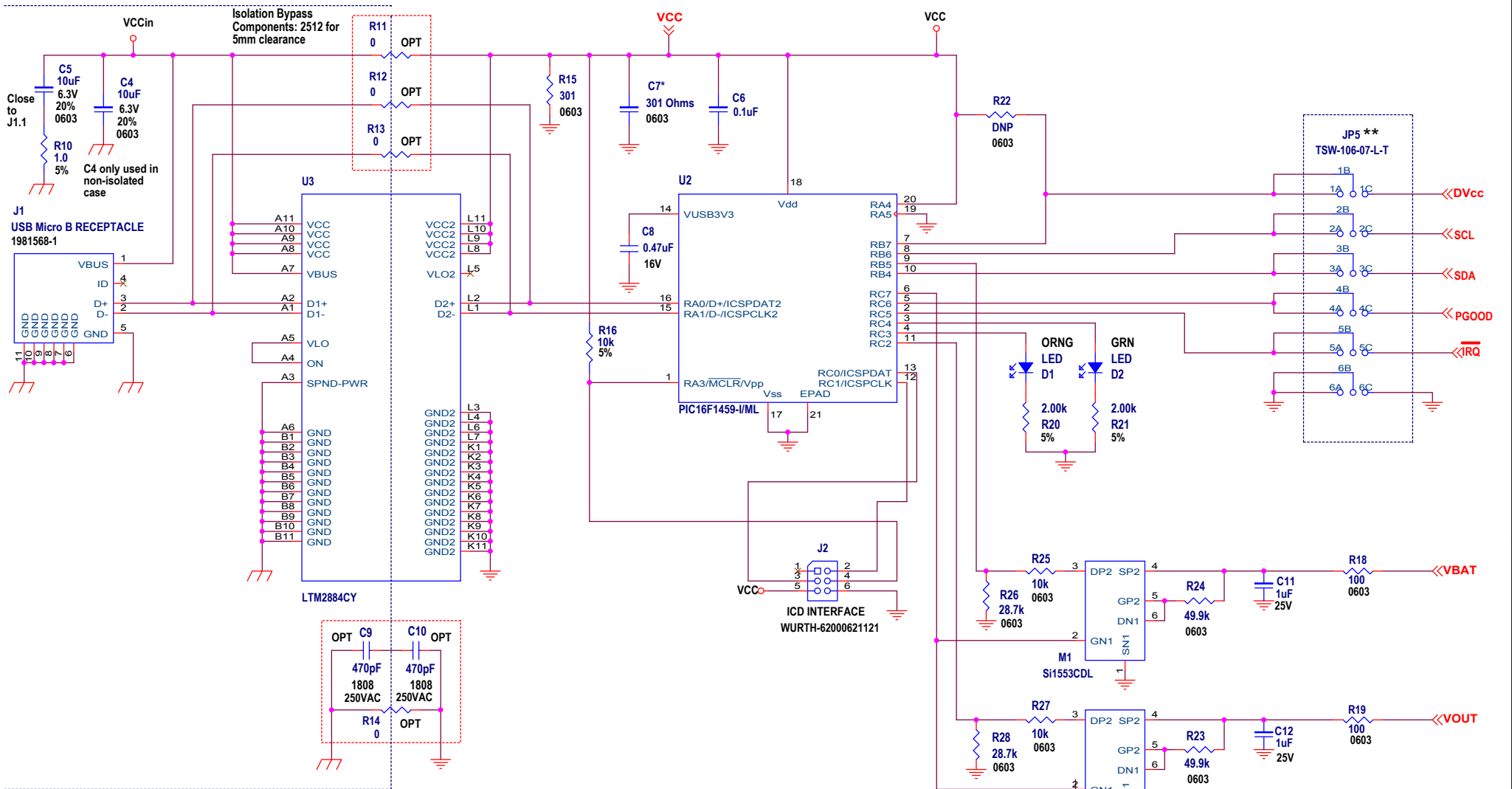
**IPEAK SELECTION INSTALL**

IPK2	IPK1	IPK0	IPEAK	L1
R2	R4	R6	5mA	2200uH
R2	R4	R5	10mA	1000uH
R2	R3	R6	15mA	680uH
R2	R3	R5	25mA	470uH
R1	R4	R6	50mA	220uH
R1	R4	R5	100mA	100uH
R1	R3	R6	150mA	68uH
R1	R3	R5	250mA	47uH

D = DEFAULT VALUE

NOTES: UNLESS OTHERWISE SPECIFIED  
 1. RESISTORS: OHMS, 0402, 1%, 1/16W  
 2. CAPACITORS: 0402, 10%, 50V

<b>CUSTOMER NOTICE</b> LINEAR TECHNOLOGY HAS MADE A BEST EFFORT TO DESIGN A CIRCUIT THAT MEETS CUSTOMER-SUPPLIED SPECIFICATIONS; HOWEVER, IT REMAINS THE CUSTOMER'S RESPONSIBILITY TO VERIFY PROPER AND RELIABLE OPERATION IN THE ACTUAL APPLICATION. COMPONENT SUBSTITUTION AND PRINTED CIRCUIT BOARD LAYOUT MAY SIGNIFICANTLY AFFECT CIRCUIT PERFORMANCE OR RELIABILITY. CONTACT LINEAR TECHNOLOGY APPLICATIONS ENGINEERING FOR ASSISTANCE.		<b>APPROVALS</b> PCB DES. NC APP ENG. BJS				1630 McCarthy Blvd. Milpitas, CA 95035 Phone: (408)432-1900 www.linear.com Fax: (408)434-0507 LTC Confidential-For Customer Use Only	
		TITLE: SCHEMATIC <b>NANOPOWER BUCK-BOOST DC/DC WITH INTEGRATED COULOMB COUNTER</b>					
THIS CIRCUIT IS PROPRIETARY TO LINEAR TECHNOLOGY AND SUPPLIED FOR USE WITH LINEAR TECHNOLOGY PARTS.		SCALE = NONE		SIZE N/A	IC NO. LTC3335EUDC	DEMO CIRCUIT 2343A	REV. 2
DATE: 06-30-15				SHEET 1 OF 2			



NOTES: UNLESS OTHERWISE SPECIFIED  
 1. RESISTORS: OHMS, 0402, 1%, 1/16W  
 2. CAPACITORS: 0402, 10%, 50V

CUSTOMER NOTICE		APPROVALS		LINEAR TECHNOLOGY	
LINEAR TECHNOLOGY HAS MADE A BEST EFFORT TO DESIGN A CIRCUIT THAT MEETS CUSTOMER-SUPPLIED SPECIFICATIONS; HOWEVER, IT REMAINS THE CUSTOMER'S RESPONSIBILITY TO VERIFY PROPER AND RELIABLE OPERATION IN THE ACTUAL APPLICATION. COMPONENT SUBSTITUTION AND PRINTED CIRCUIT BOARD LAYOUT MAY SIGNIFICANTLY AFFECT CIRCUIT PERFORMANCE OR RELIABILITY. CONTACT LINEAR TECHNOLOGY APPLICATIONS ENGINEERING FOR ASSISTANCE.		PCB DES.	NC	1630 McCarthy Blvd. Milpitas, CA 95035 Phone: (408)432-1900 www.linear.com Fax: (408)434-0507 LTC Confidential-For Customer Use Only	
		APP ENG.	BJS	TITLE: SCHEMATIC	
				SIZE N/A IC NO. GUI INTERFACE	
				REV. 2	
THIS CIRCUIT IS PROPRIETARY TO LINEAR TECHNOLOGY AND SUPPLIED FOR USE WITH LINEAR TECHNOLOGY PARTS.		SCALE = NONE		DATE: 06 - 30 - 15	
				SHEET 2 OF 2	

**NANOWATT BUCK-BOOST DC/DC WITH INTEGRATED COULOMB COUNTER**

**GUI INTERFACE DEMO CIRCUIT 2343A**