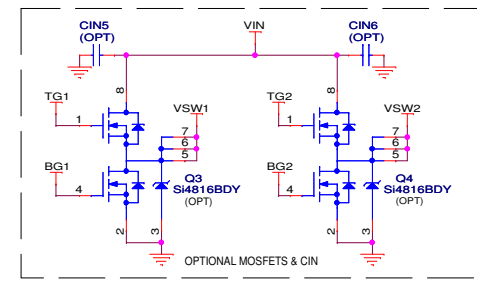
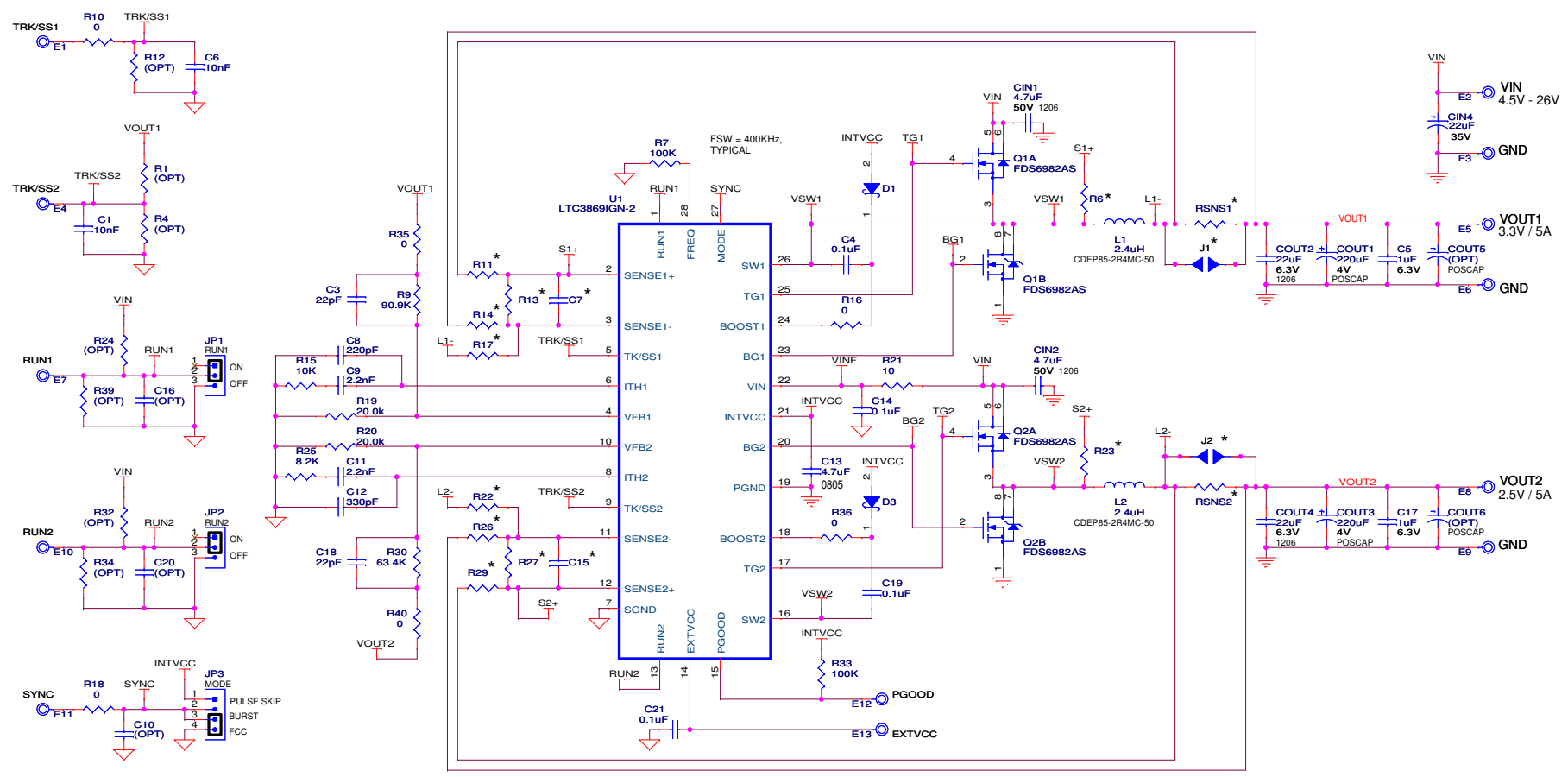


REVISION HISTORY

ECO	REV	DESCRIPTION	APPROVED	DATE
-	1	PRODUCTION	YI.S.	1-17-11



		PHASE1							PHASE2								
ASST	DESC	RSNS1	R11	R14	C7	J1	R6	R13	R17	RSNS2	R29	R26	C15	J2	R23	R22	R27
-A	RSENSE	0.006 Ohm	10 Ohm	10 Ohm	1nF	(OPT)	(OPT)	(OPT)	(OPT)	0.006 Ohm	10 Ohm	10 Ohm	1nF	(OPT)	(OPT)	(OPT)	(OPT)
-B	DCR SENSE	(OPT)	(OPT)	(OPT)	0.1uF	SHORT	3.92K	4.99k	0 Ohm	(OPT)	(OPT)	(OPT)	0.1uF	SHORT	3.92K	0 Ohm	4.99k

NOTES: UNLESS OTHERWISE SPECIFIED

1. ALL RESISTORS AND CAPACITORS ARE 0603

CUSTOMER NOTICE
 LINEAR TECHNOLOGY HAS MADE A BEST EFFORT TO DESIGN A CIRCUIT THAT MEETS CUSTOMER-SUPPLIED SPECIFICATIONS; HOWEVER, IT REMAINS THE CUSTOMER'S RESPONSIBILITY TO VERIFY PROPER AND RELIABLE OPERATION IN THE ACTUAL APPLICATION. COMPONENT SUBSTITUTION AND PRINTED CIRCUIT BOARD LAYOUT MAY SIGNIFICANTLY AFFECT CIRCUIT PERFORMANCE OR RELIABILITY. CONTACT LINEAR TECHNOLOGY APPLICATIONS ENGINEERING FOR ASSISTANCE.

APPROVALS

PCB DES.	HZ
APP ENL.	YI.S.
SCALE = NONE	

LINEAR TECHNOLOGY

1630 McCarthy Blvd.
 Milpitas, CA 95035
 Phone: (408)432-1900 www.linear.com
 Fax: (408)434-0507
 LTC Confidential-For Customer Use Only

TITLE: SCHEMATIC
DUAL OUTPUT, DUAL PHASE 5A
SYNCHRONOUS BUCK CONVERTER

SIZE	IC NO.	REV.
N/A	LTC3869IGN-2	1
DEMO CIRCUIT 1798A-A/B		

DATE: Wednesday, June 29, 2011 SHEET 1 OF 1