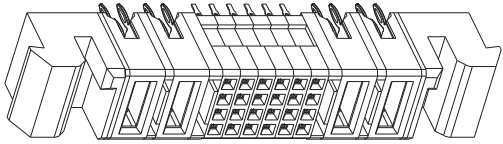
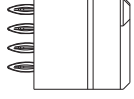
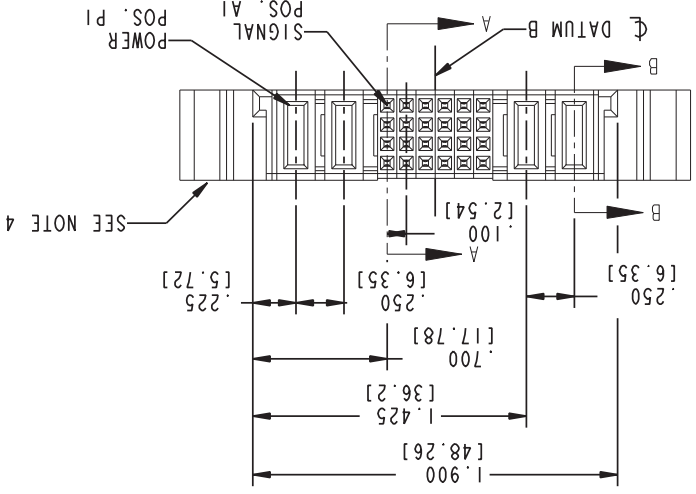
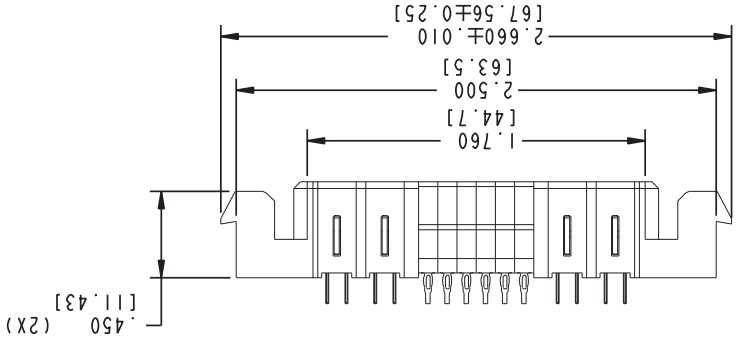




CODE	DIM "M" MATING LENGTH	CONTACT TYPE
PC	.042 [1.07]	POWER
F	N/A [N/A]	SIGNAL

PRODUCT NO.	10071628-001											NOTE 3
	ROWS	A	B	C	D							
POWER	E2											
	P4	PC										
	P3	PC										
	P5	PC										
	P1	PC										
SIGNAL	P2											
	P1											
	P2											
	P3											
	P4											
POWER	E1											

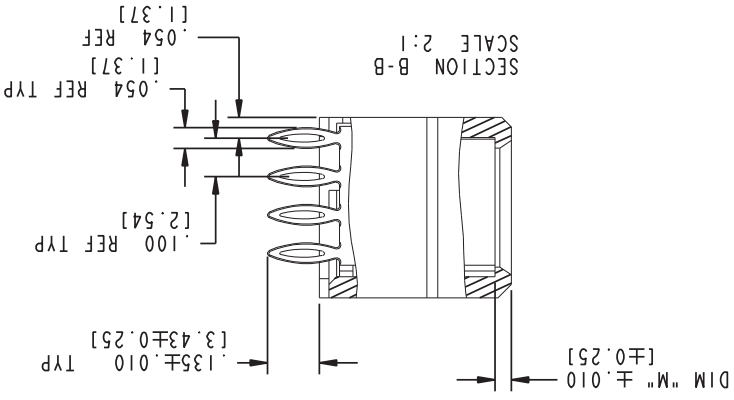
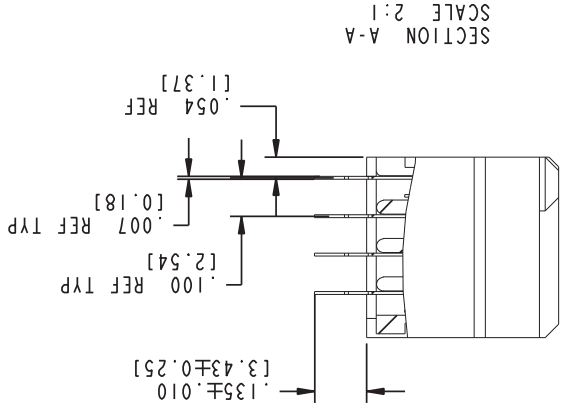


mat'l code		SEE NOTE 2		tolerances unless otherwise specified		CUSTOMER COPY		FCI		www.fciconnect.com	
itr	ecn no.	dr	date	linear	angles	dr	engr	chr	oppd	revision	sheet
A	DG06-0433	SW	08/04/06	.XXX±.005/0.XX±0.13	.XXX±.0020/0.XXX±0.051	STEVEN WANG	STEVEN WANG	BEER FU	JOSEPH HSIA	A	A
						08/04/06	08/04/06	08/04/06	08/04/06	A	A
										revision	sheet
										1	2
										3	4

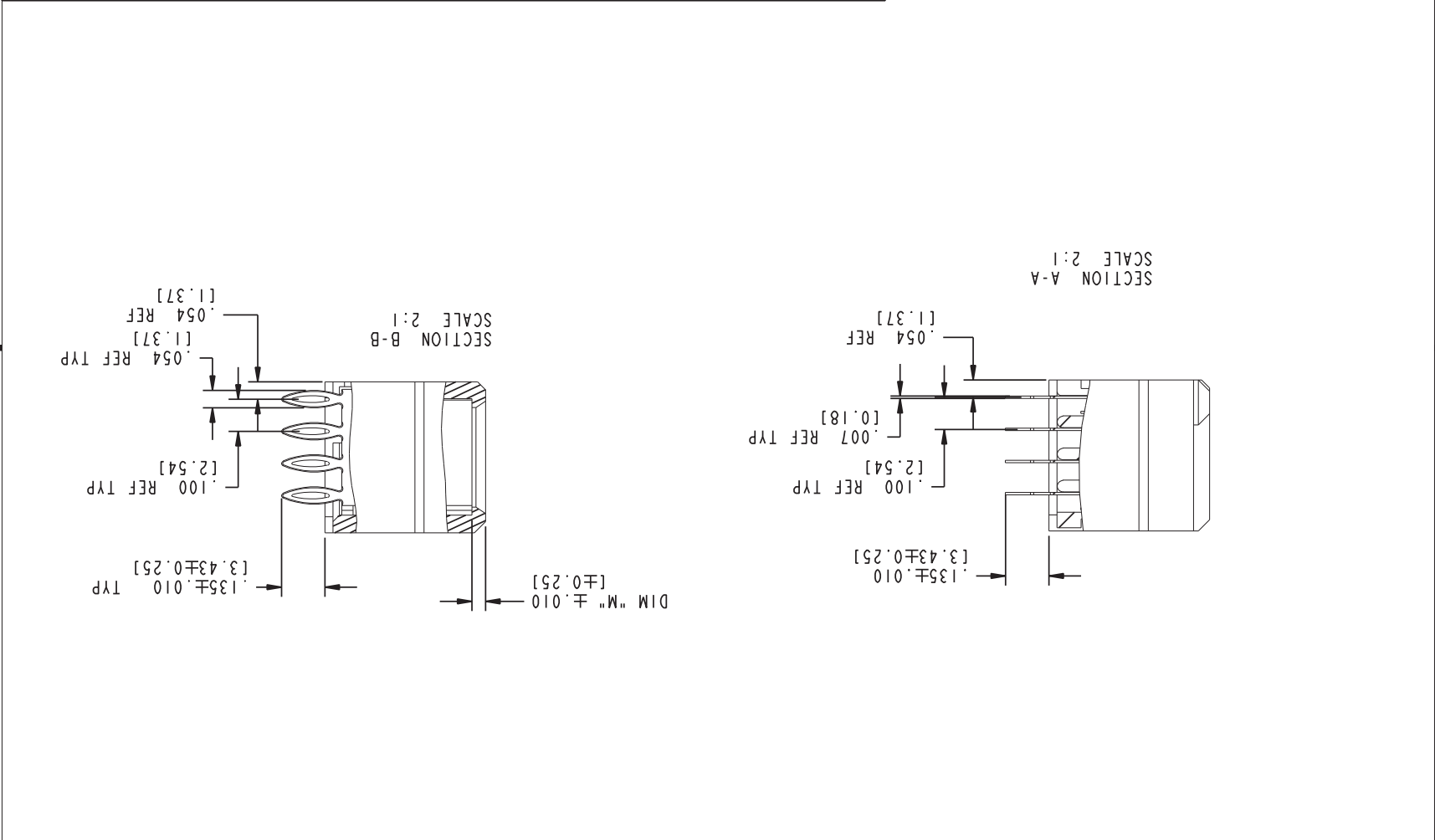
title		2P + 24S + 2P		VERTICAL PL REC. WITH EAR		product family		PwrBlade		code	
size		213		213		product family		PwrBlade		code	
size		213		213		product family		PwrBlade		code	
size		213		213		product family		PwrBlade		code	



PRODUCT NUMBER
10071628-001--
NOTE ③



mot' code		SEE NOTE 2		tolerances unless otherwise specified		CUSTOMER		FCI		www.fciconnect.com	
ltr	ecn no.	dr	date	.XX±.01/0.X±0.3		COPY		title		VERTICAL PF REC. WITH EAR	
linear	.XXX±.005/0.XX±0.13		.XXX±.0020/0.XXX±0.051		projection		product family		PwrBlade		
angles	° ±?		° ±?		MM		product family		PwrBlade		
dr	STEVEN WANG		08/04/06		size		product family		PwrBlade		
engr	STEVEN WANG		08/04/06		size		product family		PwrBlade		
chr	BEER FU		08/04/06		size		product family		PwrBlade		
oppt	JOSEPH HSIA		08/04/06		size		product family		PwrBlade		
revision	08/04/06		08/04/06		size		product family		PwrBlade		
sheet	08/04/06		08/04/06		size		product family		PwrBlade		
index	08/04/06		08/04/06		size		product family		PwrBlade		
sheet	08/04/06		08/04/06		size		product family		PwrBlade		





PRODUCT NUMBER
10071628-001--
NOTE ③

NOTES:
1. DIMENSIONS AND TOLERANCES ARE IN ACCORDANCE WITH ASME Y14.5M, 1994 UNLESS OTHERWISE SPECIFIED.
CONNECTOR NOTES:

② HOUSING MATERIAL: UL 94 V-0 GLASS FILLED
HIGH-TEMP THERMOPLASTIC
POWER CONTACT MATERIAL: COPPER ALLOY
SIGNAL PIN MATERIAL: COPPER ALLOY

3. PLATING SPEC.
10071628-001, 10071628-001LF PLATING SPEC. WAS SHOWN IN THE PRINT OF 10064183.

④ MANUFACTURER'S NAME, P/N, AND DATE CODE TO APPEAR ON THIS SURFACE.

5. PRODUCT SPECIFICATION GS-12-149.
APPLICATION SPECIFICATION BUS-20-067.

6. PACKAGED IN TRAYS.

PCB NOTES:

7. ALL HOLE DIAMETERS ARE FINISHED HOLE SIZE.

⑧ MOUNTING HOLES, WHERE APPLICABLE, ARE UNPLATED.

⑨ $\varnothing .0453 \pm .0010$ [1.151 ± 0.025] DRILLED HOLES PLATED WITH

TO: 003 [0.008] MIN SNPB OVER .001 [0.03]
TO: 040 ± .003 [1.02 ± .07] HOLE.

⑩ "DIM XXX" TO BE DETERMINED BY THE CUSTOMER.

mot' code		SEE NOTE 2		tolerances unless otherwise specified		CUSTOMER		FCI www.fciconnect.com	
itr	ecn no.	dr	date	linear	angles	projection		title	
				.XXX±.005/0.XX±0.13	° ± ?	MM		2P + 24S + 2P VERTICAL PL REC. WITH EAR	
				.XXX±.0020/0.XXX±0.051		MM		code	
						scale		code	
						1 : 1		213	
								size	
								dwg no	
								10071628-001	
								product family	
								PwrBlade	
								code	
								4 of 4	
								sheet	
								revision	
								sheet	
								index	
								revision	
								sheet	

STATUS: Released
32526

PDM: Rev: A
PRO/E

Printed: Dec 20, 2010