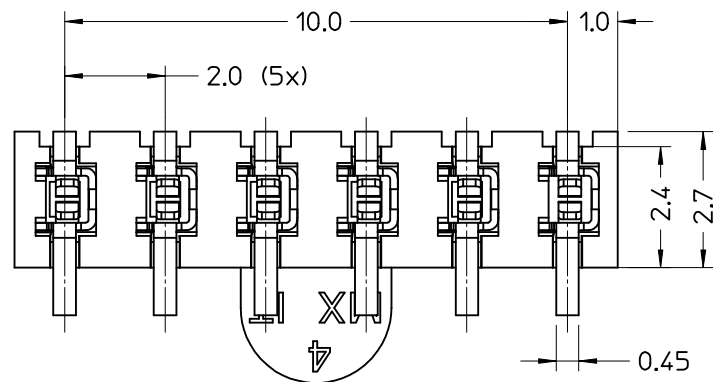
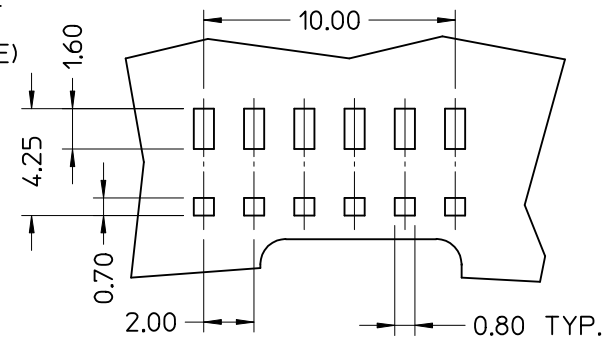


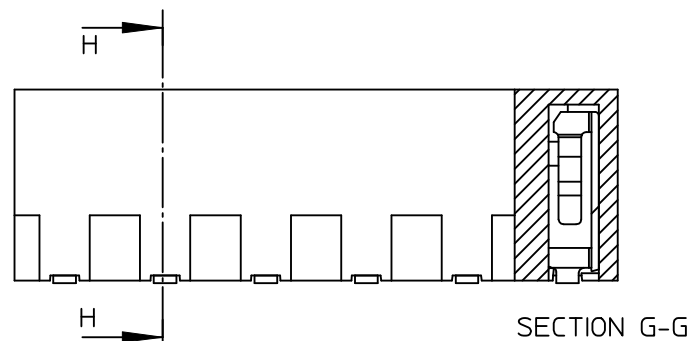
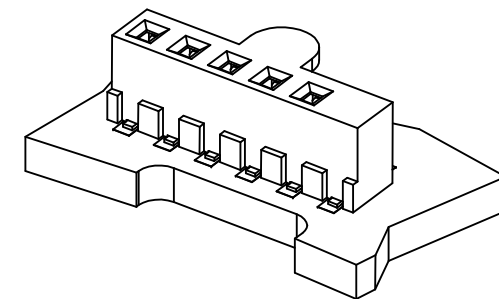
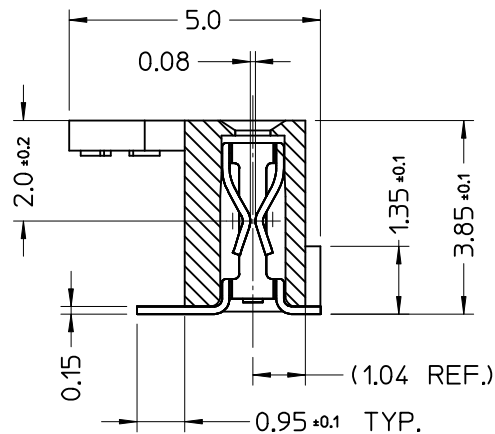
10 9 8 7 6 5 4 3 2 1



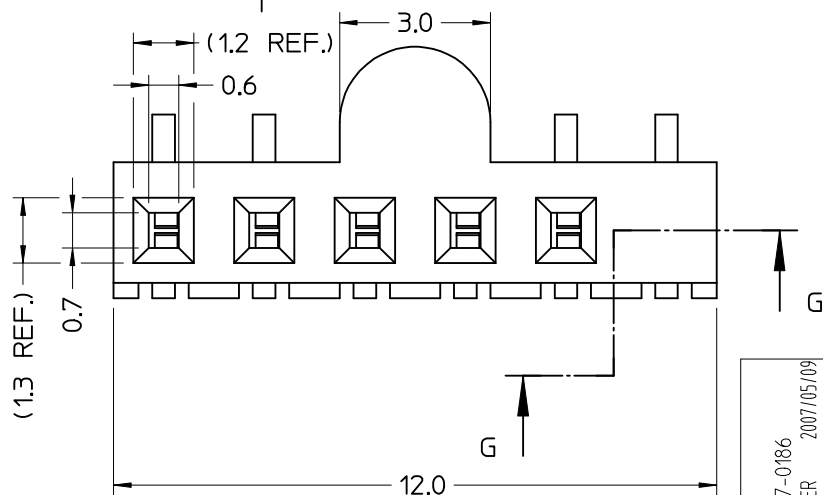
RECOMMENDED PCB LAYOUT  
(VIEW FROM COMPONENT SIDE)  
SCALE 5:1



SECTION H-H



SECTION G-G



NOTES

- 1) MATERIALS:
  - HOUSING: BLACK PA 46, 30 % GF, UL 94 V0
  - TERMINALS: 4 um PRETINNED PhBz
- 2) SMT LEADS COPLANARITY: 0.15 mm MAX
- 3) PACKAGING: IN TAPE & REEL
- 4) SPQ: 16800 pcs/BOX (2400 pcs/REEL - 7 REELS/BOX)
- 5) PRODUCT CHARACTERISTICS: ACCORDING TO PS 94103-005

Std. Descr.: SIP SOCKET SMT POL 6 CKT

|   |                               |  |                      |                            |                      |                          |                        |  |                              |                     |
|---|-------------------------------|--|----------------------|----------------------------|----------------------|--------------------------|------------------------|--|------------------------------|---------------------|
| EC NO: Z2007-0186<br>DRWN: SBARBIER 2007/05/09<br>CH'KD: LSANTOSSO 2007/05/09<br>APPR: FBISSELLO 2007/05/11 | QUALITY SYMBOLS<br>▽=0<br>▽=0 | GENERAL TOLERANCES (UNLESS SPECIFIED)                |                      | DIMENSION STYLE<br>MM ONLY |                      | SCALE<br>10:1            | DESIGN UNITS<br>METRIC | FIRST ANGLE PROJECTION                           |                              |                     |
|   |                               | 4 PLACES ± --- ± ---                                 | 3 PLACES ± --- ± --- | 2 PLACES ± 0.05 ± ---      | 1 PLACE ± 0.10 ± --- | DRAWN BY<br>SBARBIERI    | DATE<br>2007/05/09     | TITLE<br>6 CKT SIP SOCKET SMT WITH BLIND CIRCUIT |                              |                     |
|   |                               | ANGULAR ± 2 °  |                      |                            |                      | CHECKED BY<br>LSANTOSSO  | DATE<br>2007/05/09     | MOLEX INCORPORATED                               |                              |                     |
|   |                               | DRAFT WHERE APPLICABLE MUST REMAIN WITHIN DIMENSIONS |                      |                            |                      | APPROVED BY<br>FBISSELLO | DATE<br>2007/05/09     | MATERIAL NO.<br>94103-5106                       | DOCUMENT NO.<br>SD-94103-002 | SHEET NO.<br>1 OF 1 |

9 8 7 6 5 4 3 2 1