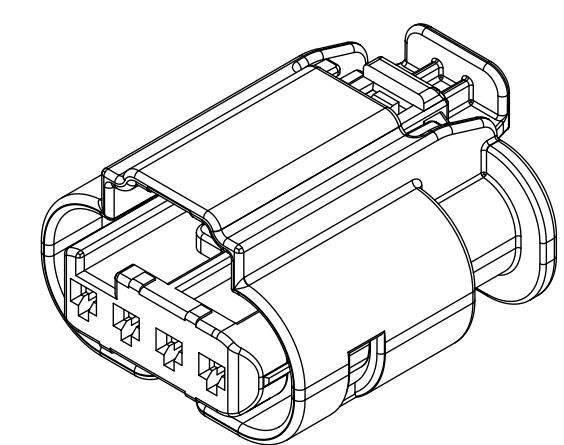
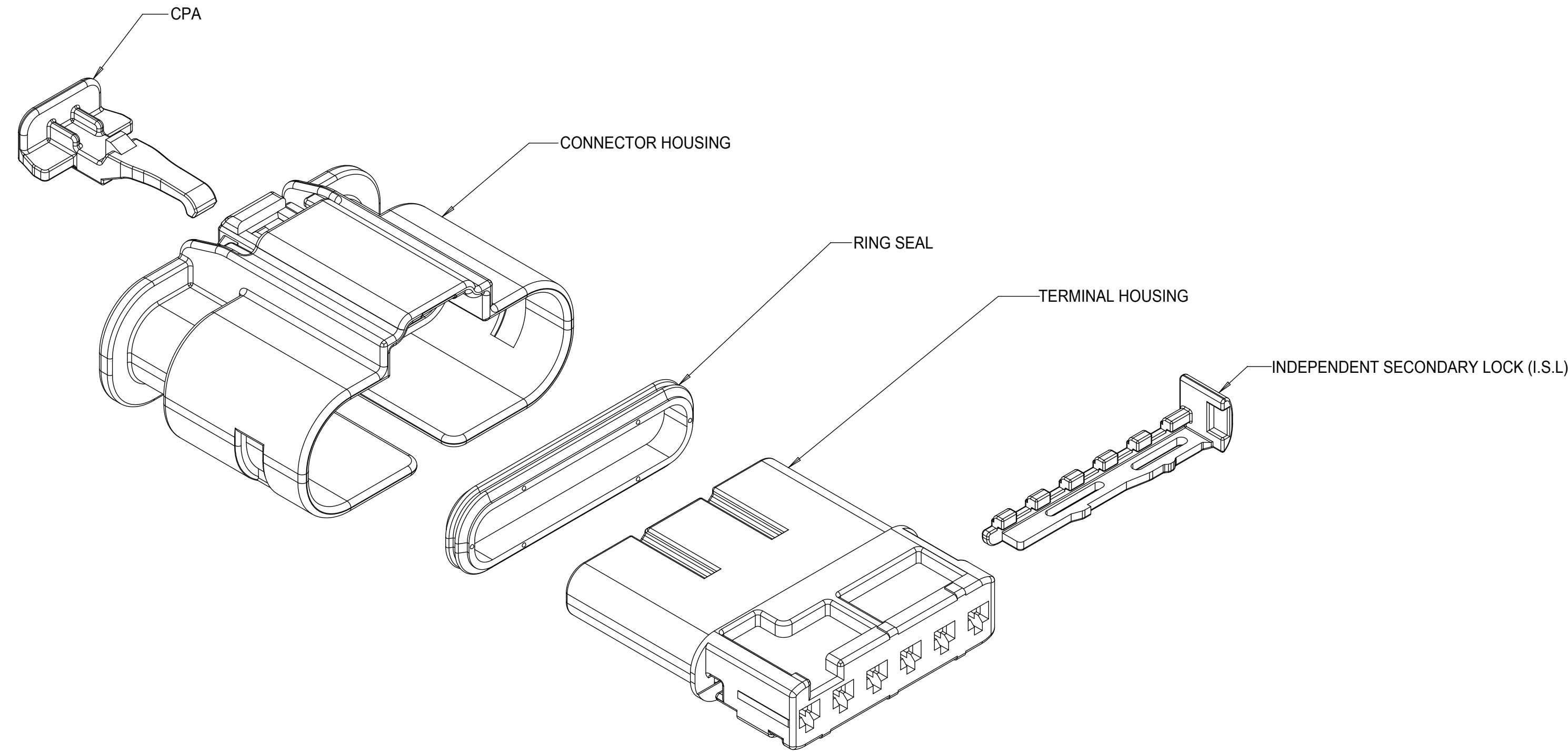


TABLE OF CONTENTS

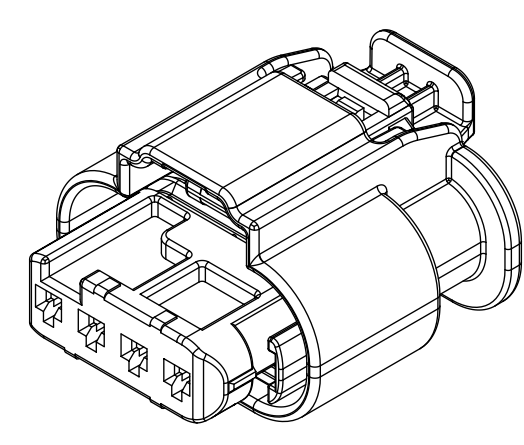
SHEET NO.	SHEET DESCRIPTION
1	NOTES
2	1x4 RECEPTACLE SEALED ASSEMBLY KEYING CONFIGURATIONS
3	1x6 RECEPTACLE SEALED ASSEMBLY KEYING CONFIGURATIONS
4	RECEPTACLE SEALED ASSEMBLY
5	1x4 RECEPTACLE SEALED ASSEMBLY BOM SHEET
6	1x6 RECEPTACLE SEALED ASSEMBLY BOM SHEET

NOTES: VALID UNLESS OTHERWISE SPECIFIED

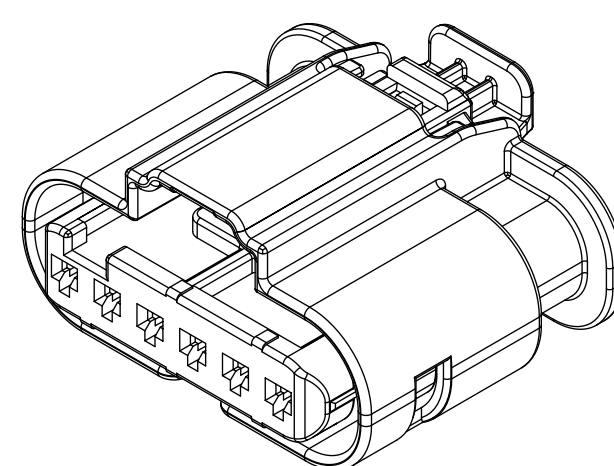
1. GENERAL:
 - a. APPLICATION SPECIFICATION SEE: AS-34900-0001
CONTAINS: PRODUCT INTRODUCTION, PRODUCT SUMMARY, CONNECTOR ASSEMBLY, PACKAGING INFORMATION, CONNECTOR MATING, SERVICE INSTRUCTIONS, ELECTRICAL CONTINUITY CHECKING, CRIMPING, AND TROUBLESHOOTING.
 - b. PRODUCT SPECIFICATION SEE: PS-34900-0001
CONTAINS: PRODUCT INTRODUCTION, PRODUCT SUMMARY, APPROVED TERMINALS, SINGLE WIRE SEALS, RATINGS (CURRENT, TEMPERATURE, SEALING, AND FLAMMABILITY), AND PRODUCT VALIDATION.
 - c. PACKAGING SPECIFICATION PER MOLEX DRAWING: PK-31301-898
 - d. PARTS MUST BE IN COMPLIANCE TO MOLEX CHEMICAL SUBSTANCES FOR PRODUCTS AND PACKAGING SPECIFICATION: ES-40000-5016
 - e. DATA MUST BE SUBMITTED UNDER THE MOLEX PART NUMBER TO IMDS (COMPANY ID#13255)
 - f. DESIGNED TO MATE WITH DEVICE CONNECTION AS SPECIFIED IN BOM CHART USCAR INTERFACE DRAWINGS AND MODELS ARE AVAILABLE AT <http://ewcap.uscarteams.org/>.
2. DESIGN - MATERIALS:
 - a. SEE BOM TABLE
3. DESIGN - GEOMETRY:
 - a. THIS IS A 100% CAD GENERATED PART. THE CAD MATHEMATICAL DATA IS THE MASTER FOR THIS PART. FOR DIMENSIONAL OR ANY INFORMATION NOT SHOWN ON THIS DRAWING, ANALYZE THE CAD MODEL.
 - b. GEOMETRIC DIMENSIONS AND TOLERANCES PER ASME Y14.5M - 1994
 - c. EDGES AND UNDIMENSIONED DETAILS PER ISO13715
 - d. CORNERS SHOWN AS SHARP TO BE R 0.2 MAX.
 - e. LETTERING SHALL BE 0.15 MAX RAISED IN 0.25 MAX RECESS PAD. THIS INCLUDES RECYCLING CODE, CAVITY ID, VENDOR IDENTIFICATION, AND CUSTOMER MATERIAL NUMBER.
 - f. VISUAL DEFECTS SHALL MEET COSMETIC STANDARD PS-45499-002 (Class B) CAD MODEL.
 - g. LASER MARKING:
 1. PART NUMBER
 2. DAY OF THE YEAR
 3. SHIFT
 4. YEAR



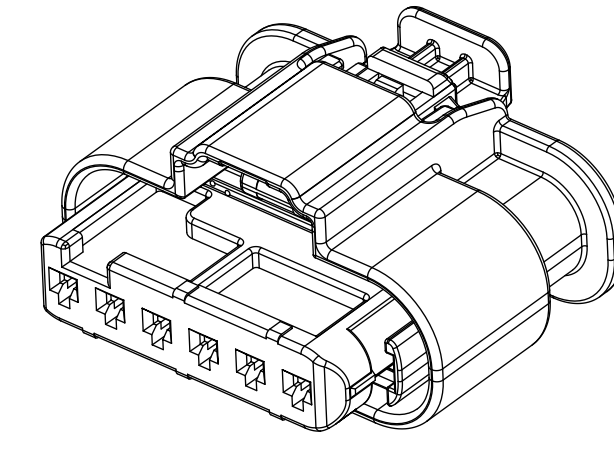
1x4 RECEPTACLE SEALED ASSEMBLY
LONG SHROUD



1x4 RECEPTACLE SEALED ASSEMBLY
MID LENGTH SHROUD



1x6 RECEPTACLE SEALED ASSEMBLY
LONG SHROUD

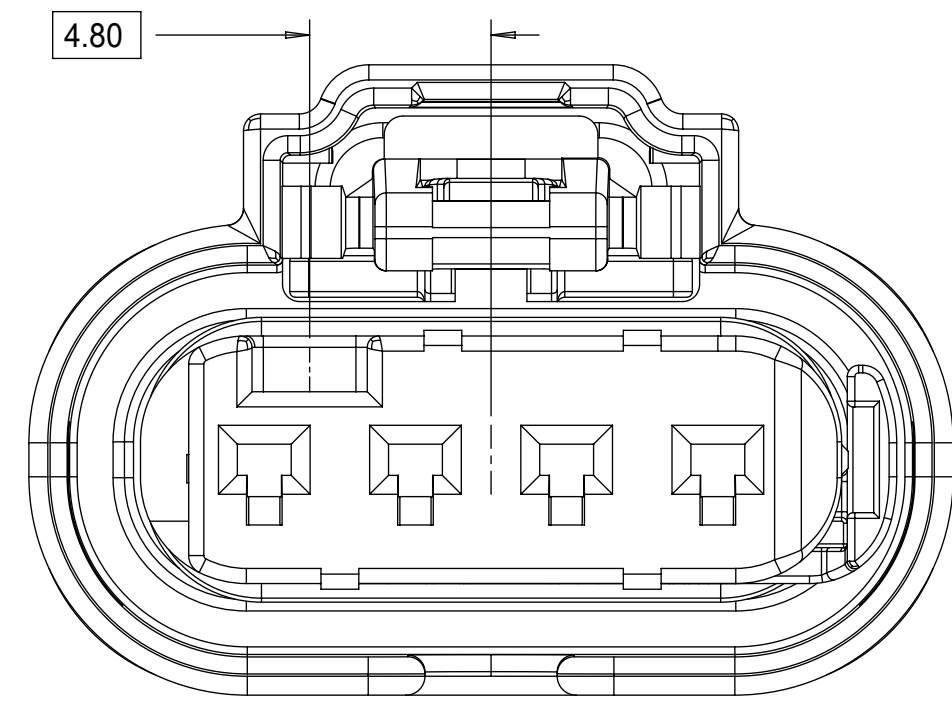


1x6 RECEPTACLE SEALED ASSEMBLY
MID LENGTH SHROUD

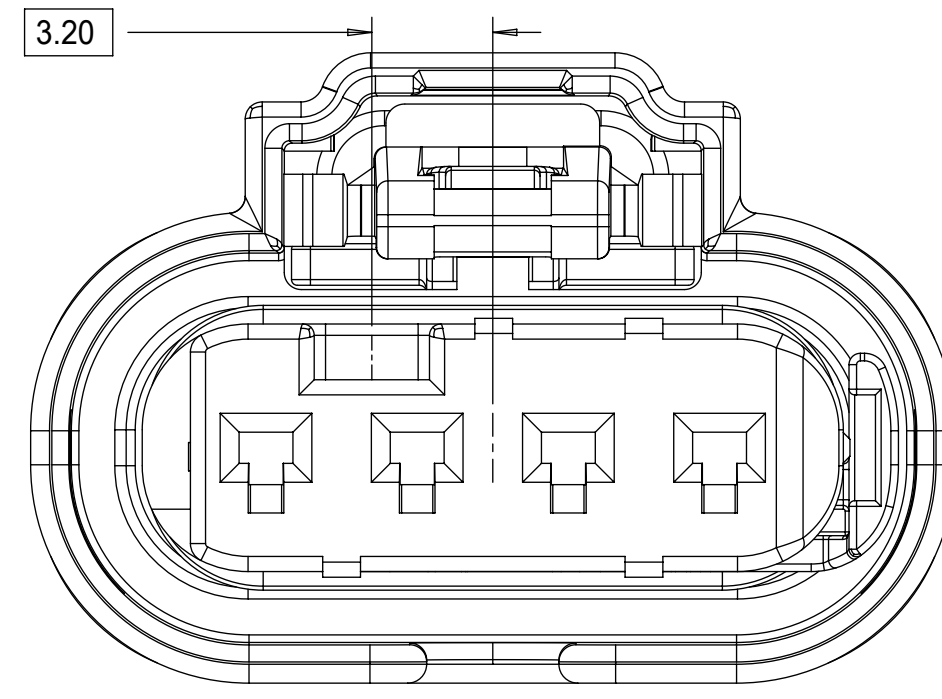
REV	DESCRIPTION
A15-A17	REMOVED CPA3
A14	UPDATED STATUS, ADDED WIRE DRESS COVERS
A13	NX-REMASTER, ADDED CPA2 PART NUMBERS AND OBSOLETE PAGE
A12	RELEASE ALL KEYS SALEABLE
A11	RELEASE NON SIR SALEABLE
A10	PART #'S WITH NEW LATCH DESIGN SALEABLE
A9	PART #'S WITH NEW LATCH DESIGN SALEABLE
A8	ADDED NEW PART NUMBERS FOR LATCH IMPROVEMENT PARTS
A7	UPDATED 34900-6012 AND 34900-6012 TO SALEABLE
A6	UPDATED SHROUD LENGTH DIMENSION SCHEME
A5	BOM CORRECTIONS AND UPDATES
A4	BOM CORRECTIONS AND UPDATES
A3	NON SIR PART# OK TO TOOL
A2	BOM UPDATES FOR NON-SIR PART #
A1	1X6 MID LENGTH SHROUD OK TO TOOL
A	1X4 INLINE VIEWS ADDED
1	INITIAL RELEASE

QUALITY SYMBOLS □ = 0 ▽ = 0 ▽ = 0 ▽ = 0 ▽ = 0 ▽ = 0 ▽ = 0 ▽ = 0 ▽ = 0		THIS DRAWING CONTAINS INFORMATION THAT IS PROPRIETARY TO MOLEX ELECTRONIC TECHNOLOGIES, LLC AND SHOULD NOT BE USED WITHOUT WRITTEN PERMISSION		GENERAL TOLERANCES (UNLESS SPECIFIED) DIMENSION UNITS: mm SCALE: 3:1 DRWN BY: MVANSLAMBROU DATE: 2012/05/03 CHKD BY: DATE: APPR BY: GGA DATE: 2012/12/13			
EC NO: 639764 DRWN: GELIOTTO1 CHKD: KBORUSZEWSKI REV APPR: KBORUSZEWSKI		2020/06/17 2020/06/23 2020/06/23		ANGULAR TOL ± ° 4 PLACES ± 3 PLACES ± 2 PLACES ± 0.1 1 PLACE ± 0.2 0 PLACES ± 0.5		DRAFT WHERE APPLICABLE MUST REMAIN WITHIN DIMENSIONS	
SERIES: 34900 MATERIAL NUMBER: SEE TABLE CUSTOMER: GENERAL MARKET		PRODUCT CUSTOMER DRAWING		DOCUMENT NUMBER: SD-34900-6001 DOC TYPE: PSD DOC PART: 001 SHEET NUMBER: 1 OF 7			

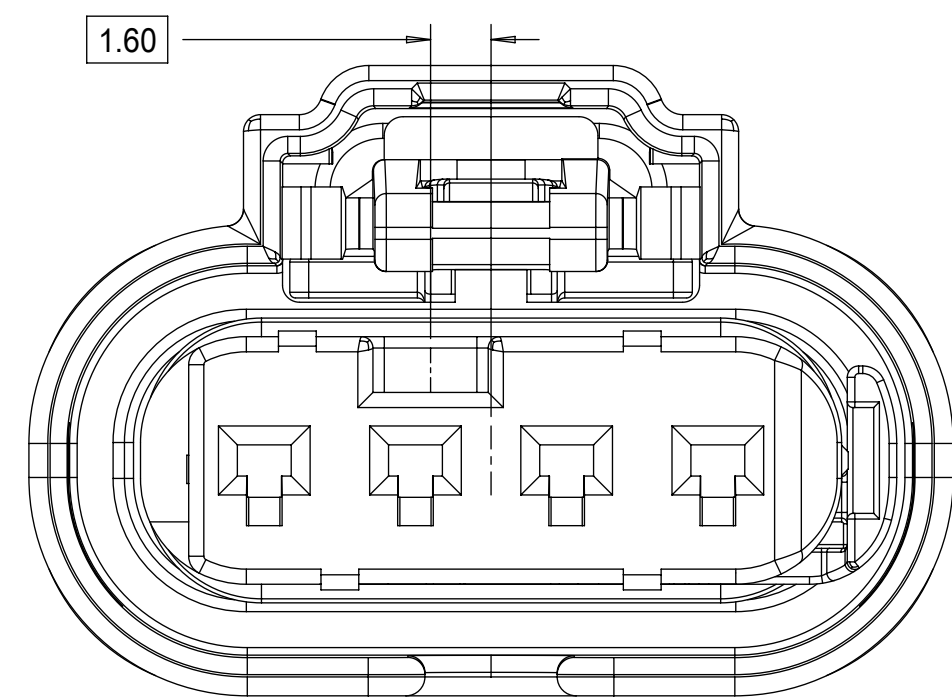
1x4 RECEPTACLE SEALED ASSEMBLY KEYING CONFIGURATIONS. FOR PART NUMBERS REFER TO BOM SHEET.



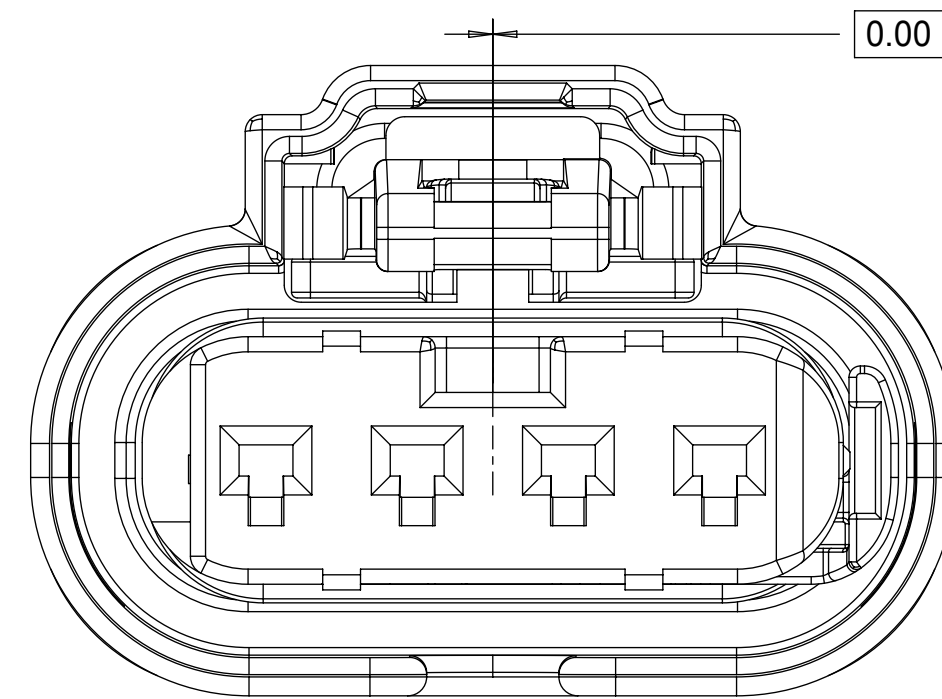
KEYING OPTION A



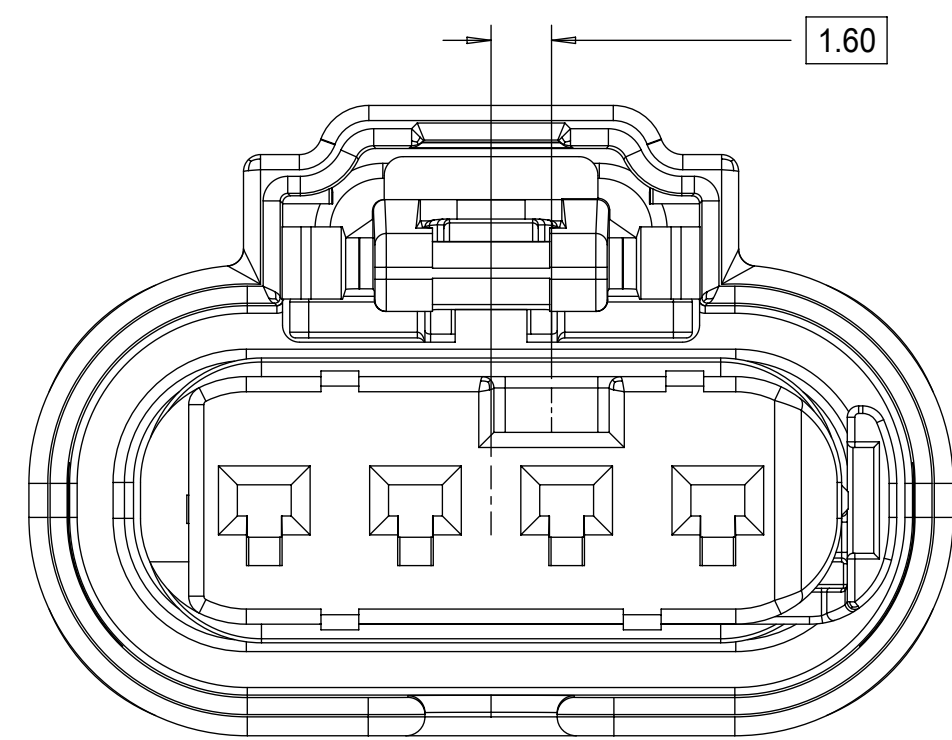
KEYING OPTION E



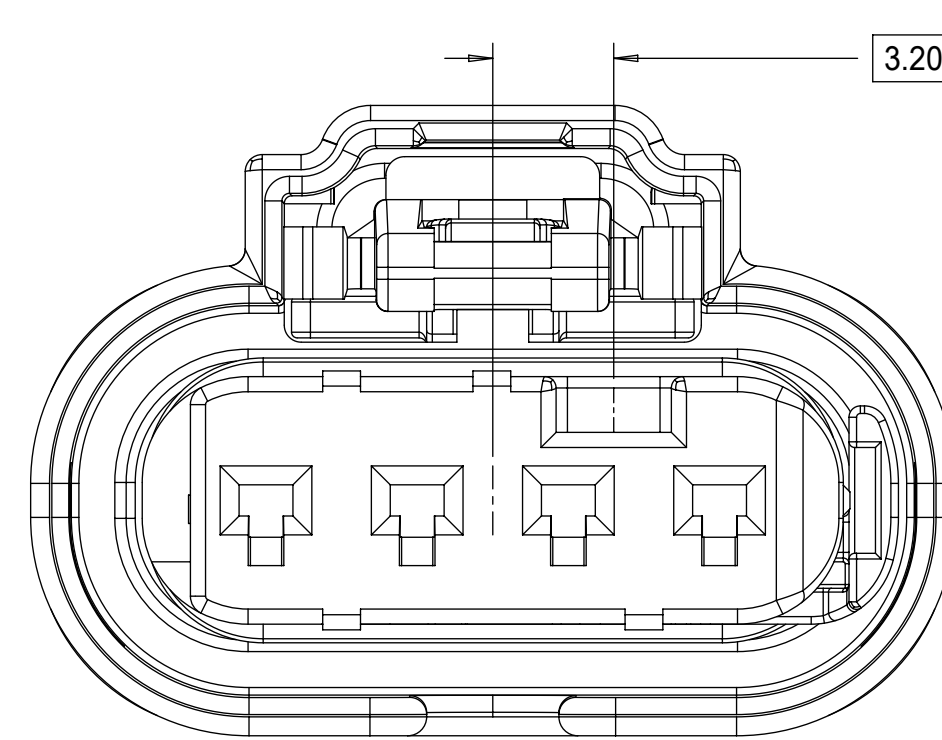
KEYING OPTION B



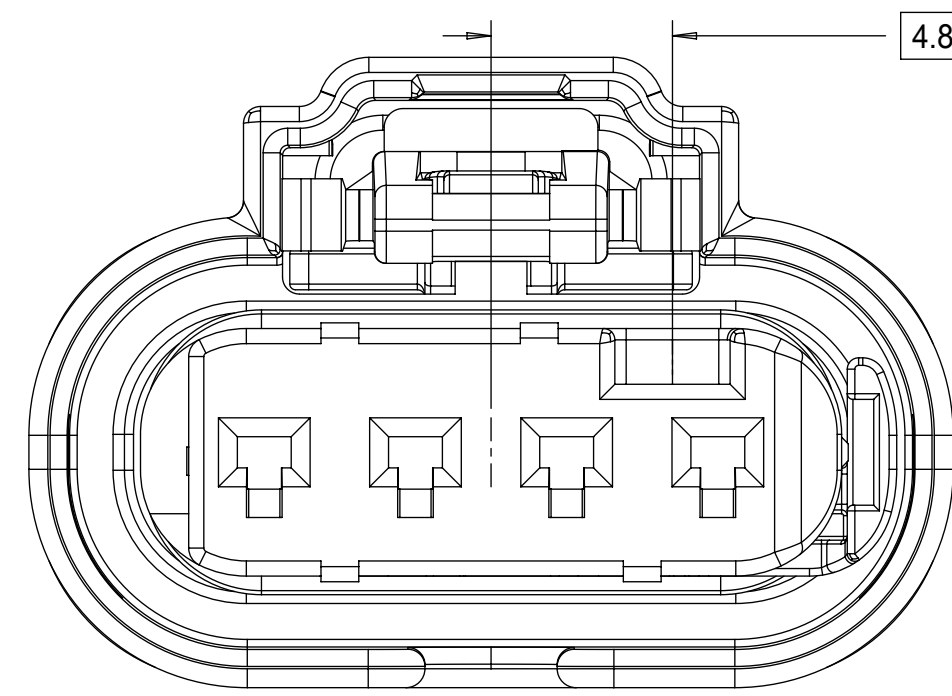
KEYING OPTION F



KEYING OPTION C



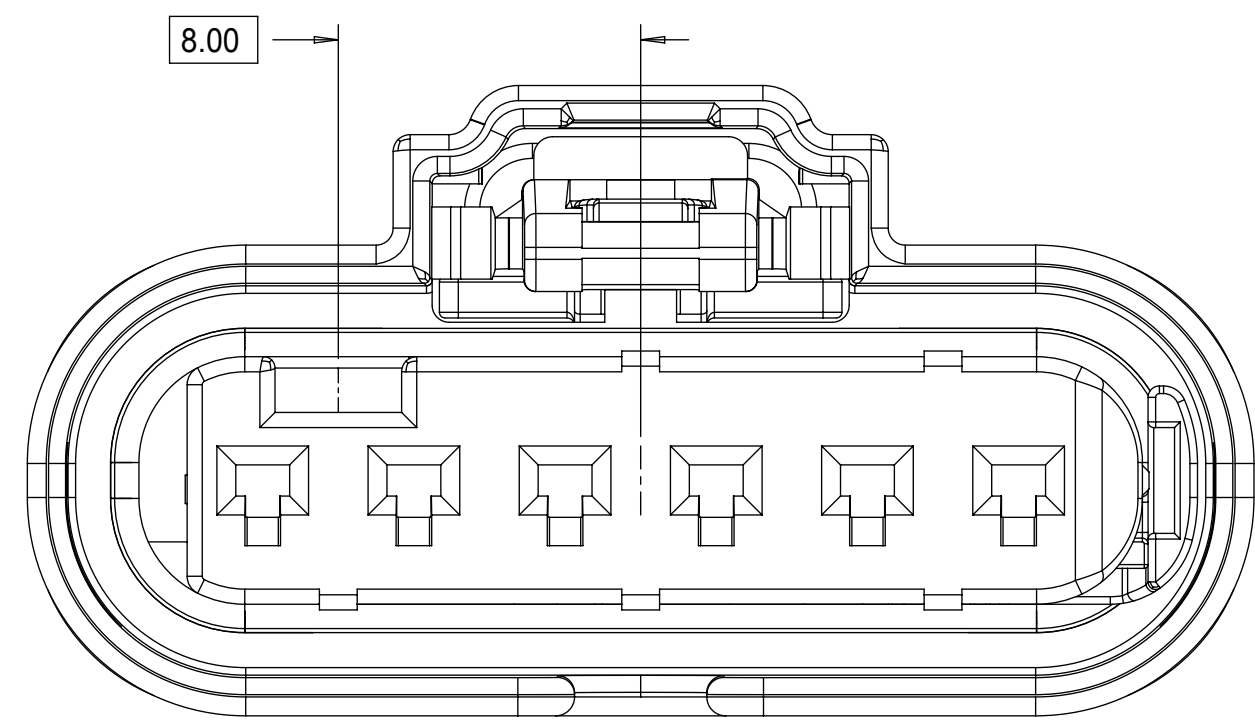
KEYING OPTION G



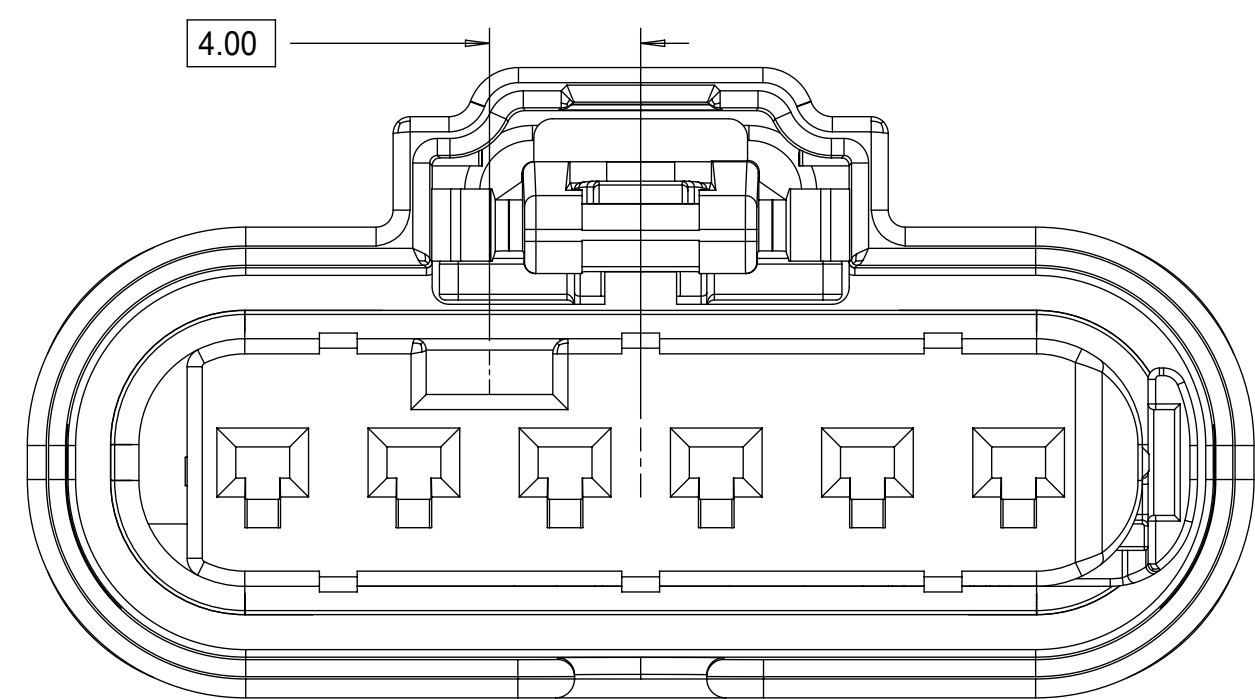
KEYING OPTION D

QUALITY SYMBOLS ▽ = 0 ▽ = 0 ▽ = 0 ▽ = 0 ▽ = 0 ▽ = 0 ▽ = 0 ▽ = 0 ▽ = 0		THIS DRAWING CONTAINS INFORMATION THAT IS PROPRIETARY TO MOLEX ELECTRONIC TECHNOLOGIES, LLC AND SHOULD NOT BE USED WITHOUT WRITTEN PERMISSION		DIMENSION UNITS mm		SCALE 5:1			
EC NO: 639764 DRWN: GELLIOTTO1 CHKD: KBORUSZEWSKI REV: APPR: KBORUSZEWSKI		GENERAL TOLERANCES (UNLESS SPECIFIED) ANGULAR TOL ± ° 4 PLACES ± 3 PLACES ± 2 PLACES ± 0.1 1 PLACE ± 0.2 0 PLACES ± 0.5		DRWN BY MVANSLAMBROU		DATE 2012/05/03			
A17		DRAFT WHERE APPLICABLE MUST REMAIN WITHIN DIMENSIONS		CHKD BY GGA		DATE 2012/12/13		PRODUCT CUSTOMER DRAWING	
RELEASE STATUS P1		RELEASE DATE 2020/06/23 16:54:53		DRAWING SIZE D		THIRD ANGLE PROJECTION		SERIES 34900	
								MATERIAL NUMBER SEE BOM	
								CUSTOMER GENERAL MARKET	
								DOCUMENT NUMBER SD-34900-6001	
								DOC TYPE PSD	
								DOC PART 001	
								SHEET NUMBER 2 OF 7	

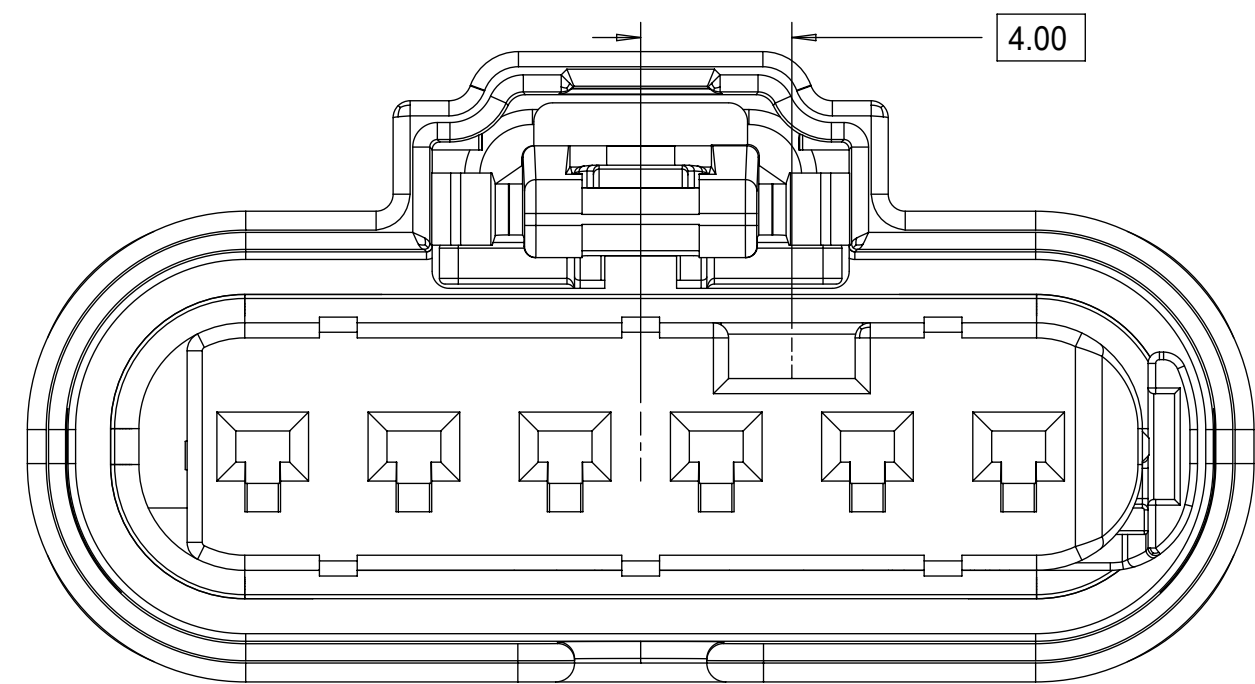
1x6 RECEPTACLE SEALED ASSEMBLY KEYING CONFIGURATIONS. FOR PART NUMBERS REFER TO BOM SHEET.



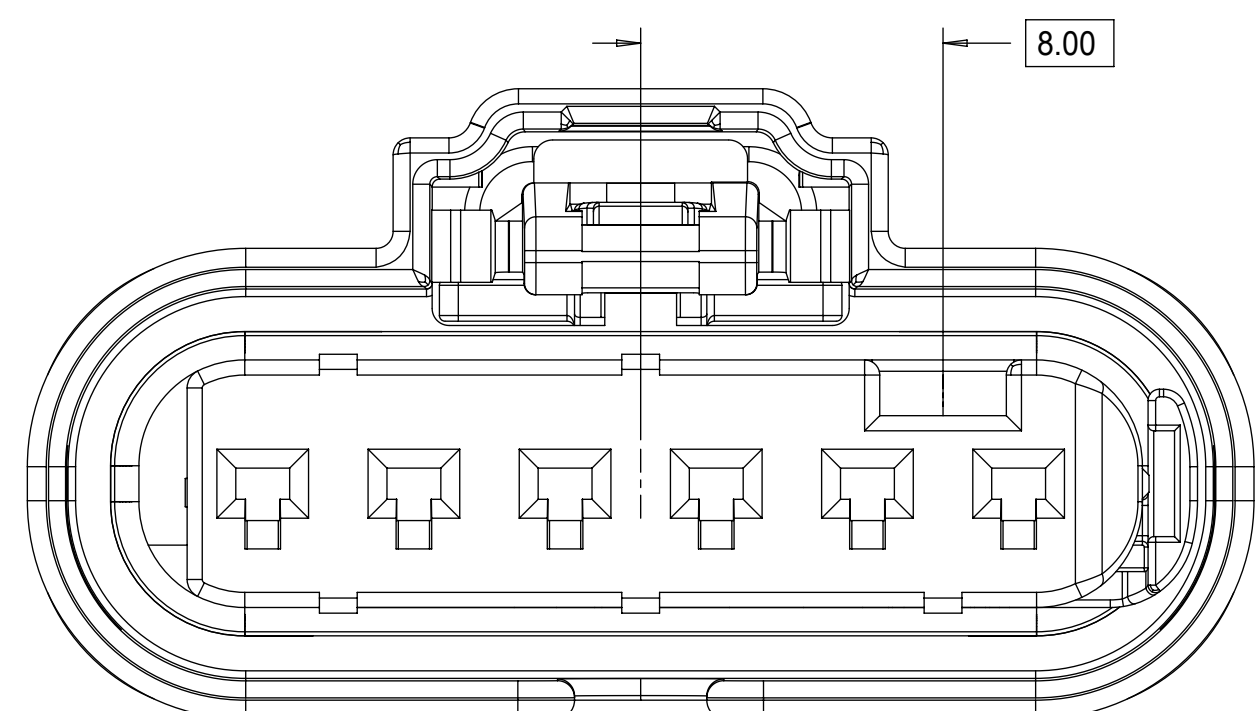
KEYING OPTION A



KEYING OPTION B



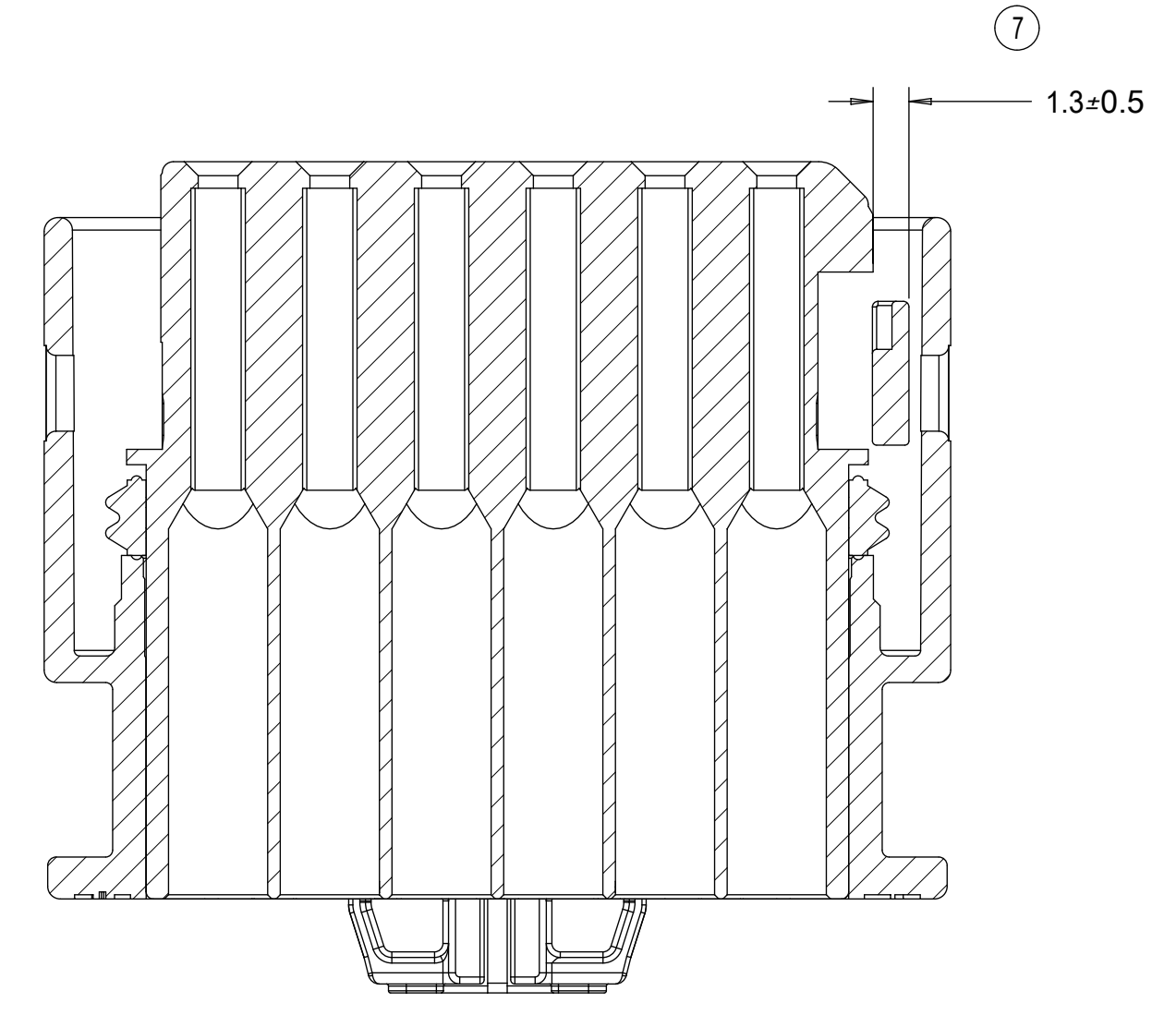
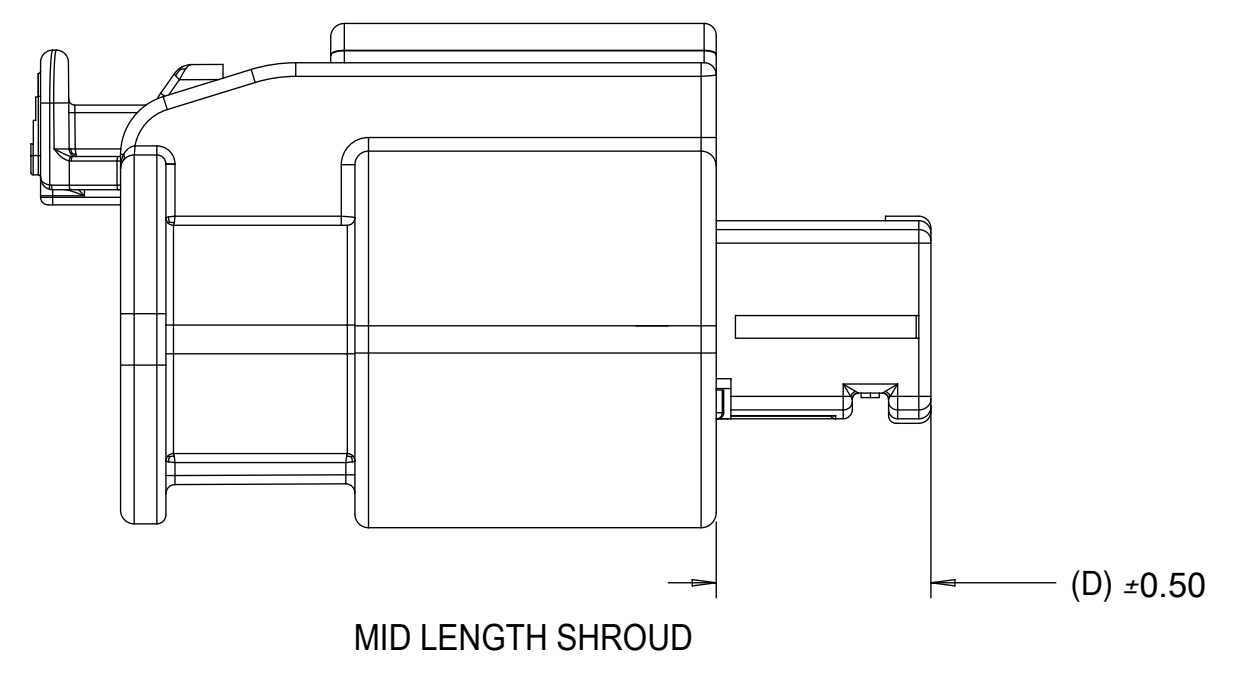
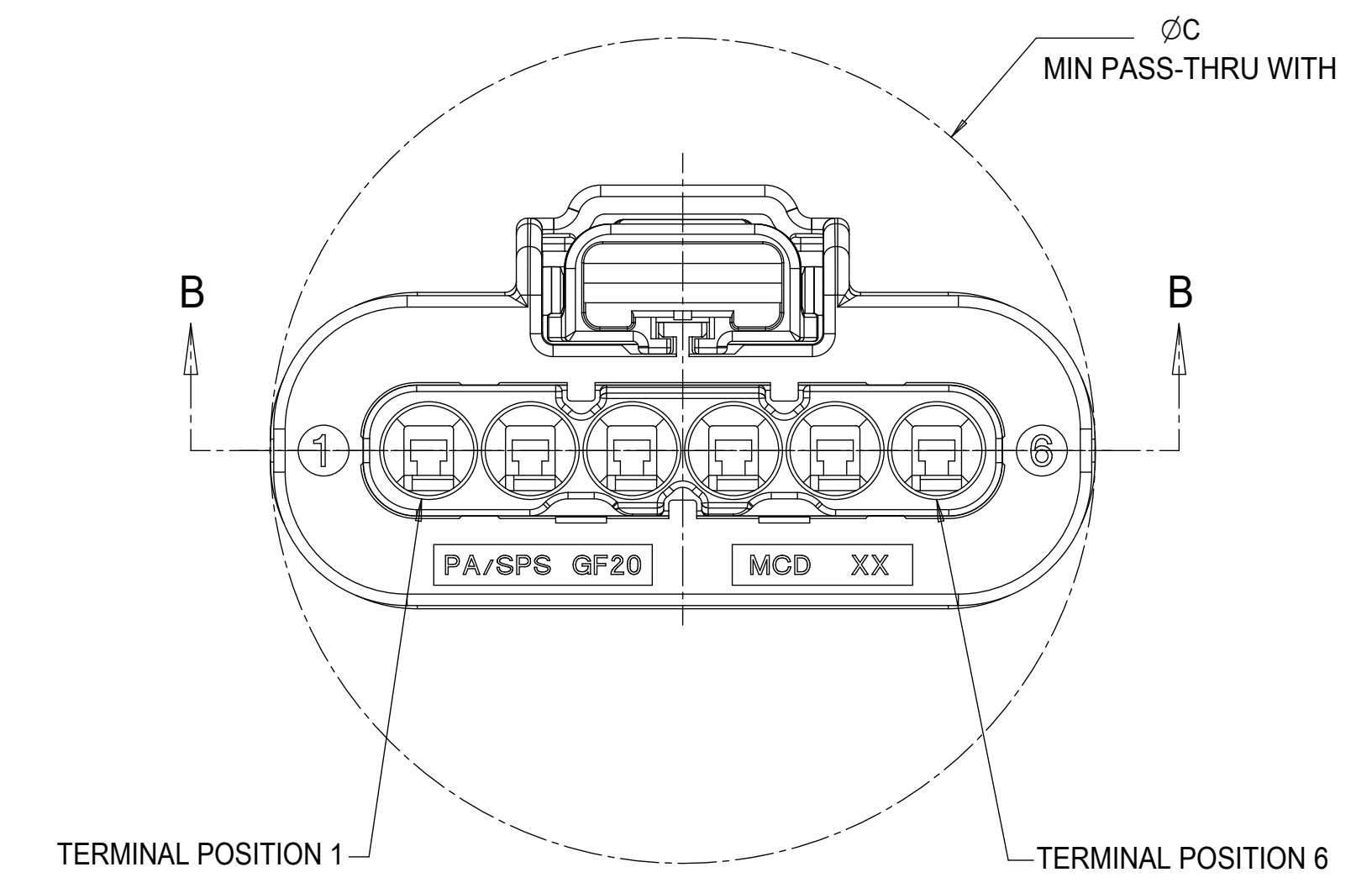
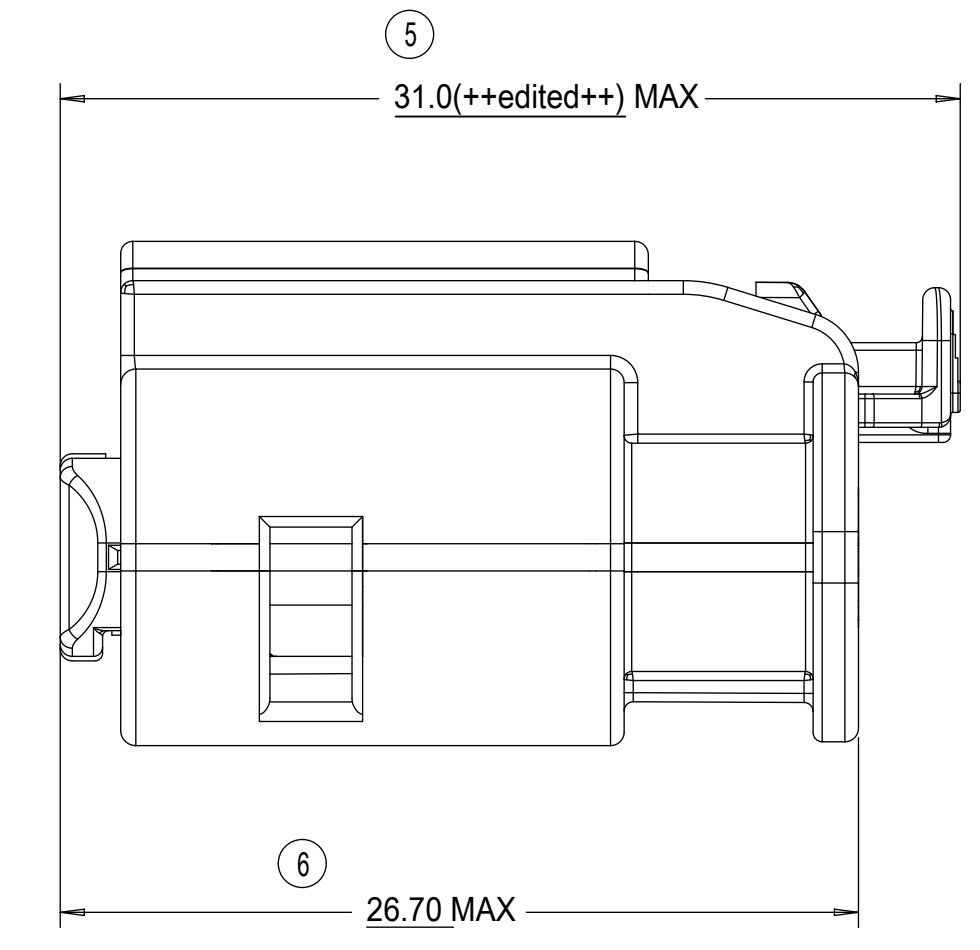
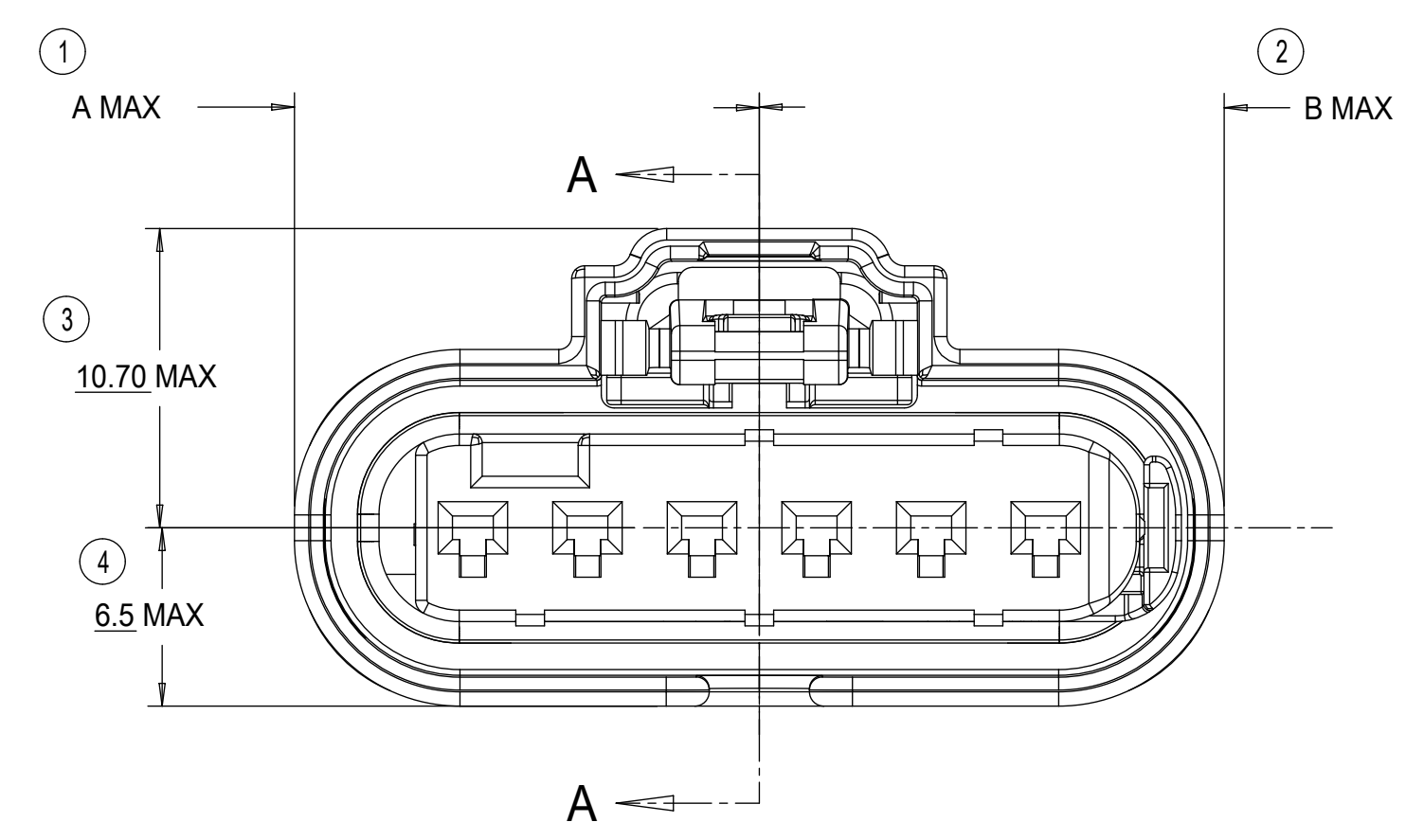
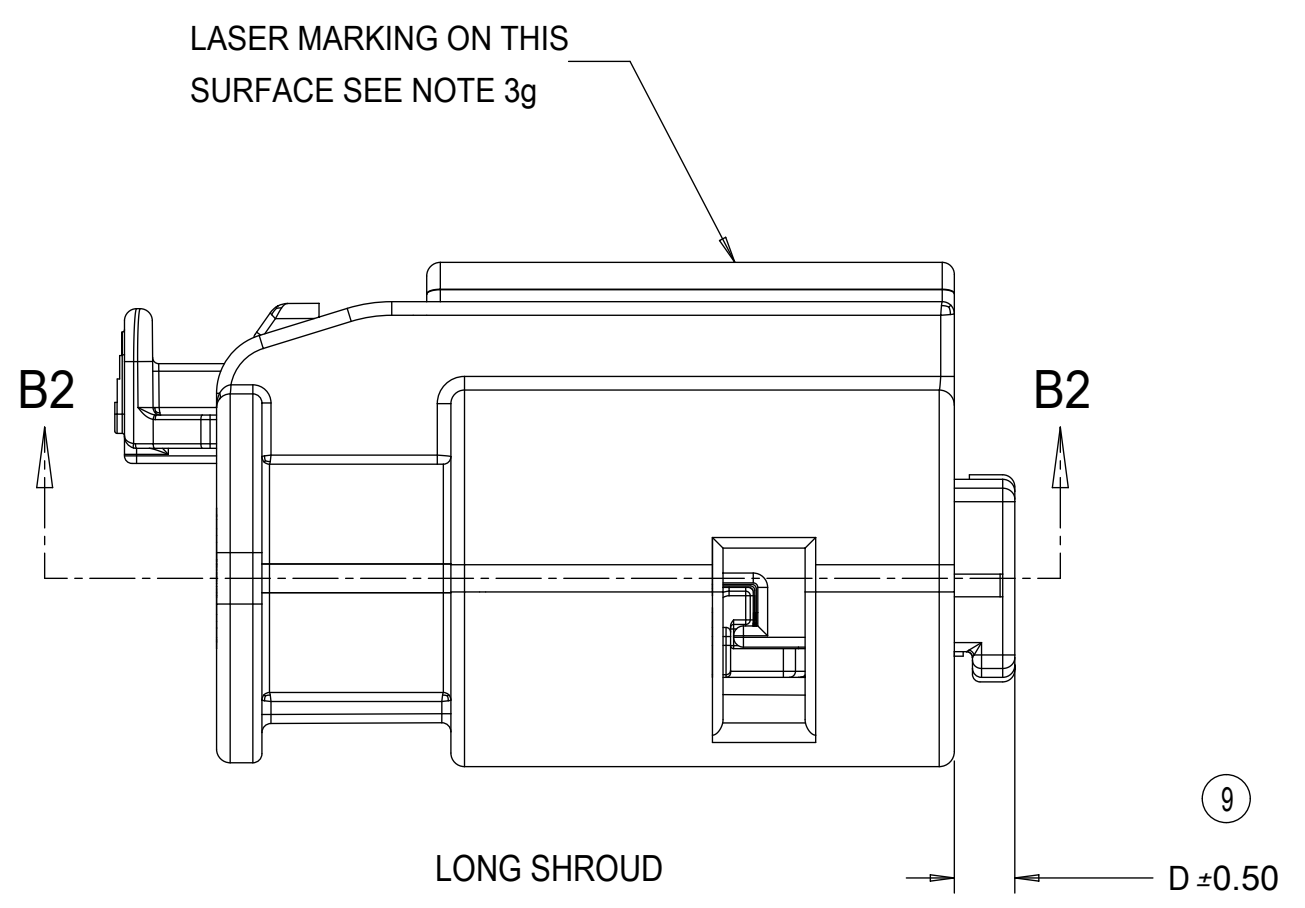
KEYING OPTION C



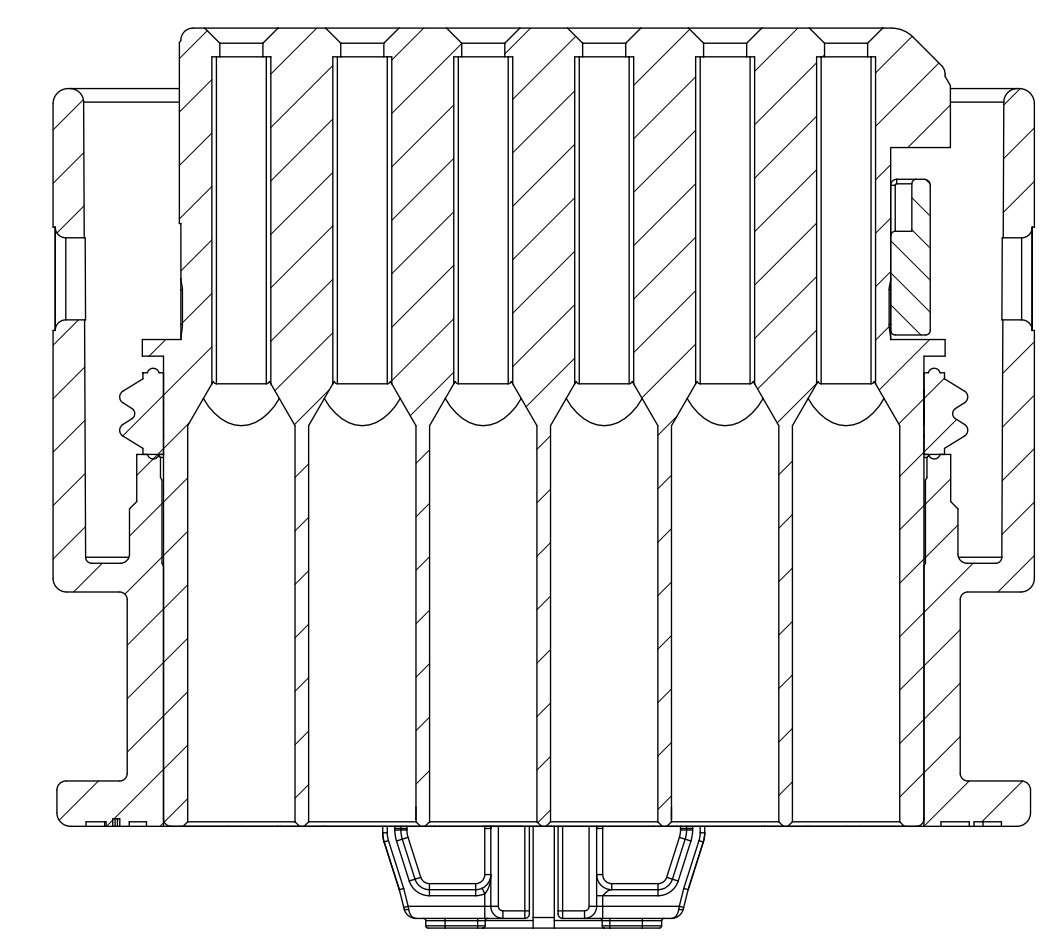
KEYING OPTION D

QUALITY SYMBOLS		THIS DRAWING CONTAINS INFORMATION THAT IS PROPRIETARY TO MOLEX ELECTRONIC TECHNOLOGIES, LLC AND SHOULD NOT BE USED WITHOUT WRITTEN PERMISSION		GENERAL TOLERANCES (UNLESS SPECIFIED)		DIMENSION UNITS		SCALE			
	= 0	2020/06/17	DRWN BY	mm	5:1	DRWN BY		DATE	1.2MM 1X4, 1X6 RECPT. SEALED ASSEMBLY CABLE SEAL 626759 - CHANGED CPA2 TO CPA2. ROLLING CHANGE AT GM.		
	= 0	2020/06/23	CHKD BY	ANGULAR TOL ± °		MVANSLAMBROU		2012/05/03			PRODUCT CUSTOMER DRAWING
	= 0	2020/06/23	APPR BY	4 PLACES ±	CHKD BY		DATE	SERIES MATERIAL NUMBER CUSTOMER 34900 SEE BOM GENERAL MARKET			
	= 0	639764	DATE	3 PLACES ±	APPR BY		DATE			DOCUMENT NUMBER DOC TYPE DOC PART SHEET NUMBER SD-34900-6001 PSD 001 3 OF 7	
	= 0	DRWN: GELLIOTTO1	DATE	2 PLACES ± 0.1	GGA		2012/12/13	DRAWING SIZE THIRD ANGLE PROJECTION D D			
	= 0	CHKD: KBORUSZEWSKI	DATE	1 PLACE ± 0.2	DRAFT WHERE APPLICABLE MUST REMAIN WITHIN DIMENSIONS					RELEASE STATUS P1 RELEASE DATE 2020/06/23 16:54:53	
	= 0	REV: KBORUSZEWSKI	DATE	0 PLACES ± 0.5				19 18 17 16 15 14 13 12 11 10 9 8 7 6 5 4 3 2 1			
	= 0	A17	DATE								

RECEPTACLE SEALED ASSEMBLY



SECTION B-B
INDEPENDENT SECONDARY LOCK (ISL)
SHOWN IN THE PRE-STAGED POSITION



SECTION B2-B2
INDEPENDENT SECONDARY LOCK (ISL)
SHOWN IN THE FINAL-LOCK POSITION

DESCRIPTION	A	B	C	D
1x6 MID LENGTH SHROUD	16.5	16.5	33.0	6.70
1x4 MID LENGTH SHROUD	16.5	16.5	25.0	6.70
1x6 LONG SHROUD	16.5	16.5	33.0	2.00
1x4 LONG SHROUD	12.5	12.5	25.0	2.00

CHARTED DIMENSIONS

QUALITY SYMBOLS □ = 0 ▽ = 0 ▽ = 0 ▽ = 0 ▽ = 0 ▽ = 0 ▽ = 0 ▽ = 0 ▽ = 0 ▽ = 0 ▽ = 0 ▽ = 0	THIS DRAWING CONTAINS INFORMATION THAT IS PROPRIETARY TO MOLEX ELECTRONIC TECHNOLOGIES, LLC AND SHOULD NOT BE USED WITHOUT WRITTEN PERMISSION		DIMENSION UNITS mm	SCALE 4:1				
	GENERAL TOLERANCES (UNLESS SPECIFIED) ANGULAR TOL ± ° 4 PLACES ± 3 PLACES ± 2 PLACES ± 0.1 1 PLACE ± 0.2 0 PLACES ± 0.5 DRAFT WHERE APPLICABLE MUST REMAIN WITHIN DIMENSIONS	DRWN BY MVANSLAMBROU	DATE 2012/05/03	CHKD BY DATE		APPR BY GGA	DATE 2012/12/13	SERIES 34900
EC NO: 639764 DRWN: GELIOTTO1 CHKD: KBORUSZEWSKI REV APPR: KBORUSZEWSKI	2020/06/17 2020/06/23 2020/06/23	A17	D 	DOCUMENT NUMBER SD-34900-6001	DOC TYPE PSD	DOC PART 001	SHEET NUMBER 4 OF 7	

1X4 RECEPTACLE SEALED ASSEMBLY BOM SHEET 1

KEY OPTION	ASSEMBLY DESCRIPTION	CONNECTOR HOUSING COLOR	TERMINAL HOUSING COLOR	OUTER HOUSING SHROUD LENGTH	ASSEMBLY PART NUMBER	CHB	CHY	CHMB	A	B	C	D	E	F	G	CPA1	CPA2	PRODUCTION TOOL STATUS	COMMENTS	DESIGNED TO MATE WITH DEVICE CONNECTION		
KEY OPTION G	BLACK	LIGHT GRAY	LONG	34900-4226	CHB										G	CPA2	SALABLE			1	2	
KEY OPTION F	BLACK	BLACK	LONG	34900-4225	CHB									F		CPA2	SALABLE			1	2	
KEY OPTION E	BLACK	DARK GRAY	LONG	34900-4224	CHB								E			CPA2	SALABLE			1	2	
KEY OPTION D	BLACK	LIGHT GRAY	LONG	34900-4223	CHB							D				CPA2	SALABLE			1	2	
KEY OPTION C	BLACK	DARK GRAY	LONG	34900-4222	CHB							C				CPA2	SALABLE			1	2	
KEY OPTION B	BLACK	STONE GRAY	LONG	34900-4221	CHB							B				CPA2	SALABLE			1	2	
KEY OPTION A	BLACK	BLACK	LONG	34900-4220	CHB							A				CPA2	SALABLE			1	2	
KEY OPTION G	YELLOW	LIGHT GRAY	LONG	34900-4216	CHY										G	CPA2	SALABLE			1	2	
KEY OPTION F	YELLOW	BLACK	LONG	34900-4215	CHY									F		CPA2	SALABLE			1	2	
KEY OPTION E	YELLOW	DARK GRAY	LONG	34900-4214	CHY								E			CPA2	SALABLE			1	2	
KEY OPTION D	YELLOW	LIGHT GRAY	LONG	34900-4213	CHY							D				CPA2	SALABLE			1	2	
KEY OPTION C	YELLOW	DARK GRAY	LONG	34900-4212	CHY							C				CPA2	SALABLE			1	2	
KEY OPTION B	YELLOW	STONE GRAY	LONG	34900-4211	CHY							B				CPA2	SALABLE			1	2	
KEY OPTION A	YELLOW	BLACK	LONG	34900-4210	CHY							A				CPA2	SALABLE			1	2	
KEY OPTION G	BLACK	LIGHT GRAY	MID LENGTH	34900-4136				CHMB							F	CPA2	CONCEPT			1	2	
KEY OPTION F	BLACK	BLACK	MID LENGTH	34900-4135				CHMB							E		CPA2	CONCEPT			1	2
KEY OPTION E	BLACK	DARK GRAY	MID LENGTH	34900-4134				CHMB							D		CPA2	CONCEPT			1	2
KEY OPTION D	BLACK	LIGHT GRAY	MID LENGTH	34900-4133				CHMB							C		CPA2	CONCEPT			1	2
KEY OPTION C	BLACK	DARK GRAY	MID LENGTH	34900-4132				CHMB							B		CPA2	CONCEPT			1	2
KEY OPTION B	BLACK	STONE GRAY	MID LENGTH	34900-4131				CHMB							A		CPA2	CONCEPT			1	2
KEY OPTION A	BLACK	BLACK	MID LENGTH	34900-4130				CHMB									CPA2	CONCEPT			1	2
KEY OPTION G	BLACK	LIGHT GRAY	LONG	34900-4126	CHB										G	CPA1	SALABLE			1	2	
KEY OPTION F	BLACK	BLACK	LONG	34900-4125	CHB										F	CPA1	SALABLE			1	2	
KEY OPTION E	BLACK	DARK GRAY	LONG	34900-4124	CHB										E	CPA1	SALABLE			1	2	
KEY OPTION D	BLACK	LIGHT GRAY	LONG	34900-4123	CHB										D	CPA1	SALABLE			1	2	
KEY OPTION C	BLACK	DARK GRAY	LONG	34900-4122	CHB										C	CPA1	SALABLE			1	2	
KEY OPTION B	BLACK	STONE GRAY	LONG	34900-4121	CHB										B	CPA1	SALABLE			1	2	
KEY OPTION A	BLACK	BLACK	LONG	34900-4120	CHB										A	CPA1	SALABLE			1	2	
KEY OPTION G	YELLOW	LIGHT GRAY	LONG	34900-4116	CHY										G	CPA1	SALABLE			1	2	
KEY OPTION F	YELLOW	BLACK	LONG	34900-4115	CHY										F	CPA1	SALABLE			1	2	
KEY OPTION E	YELLOW	DARK GRAY	LONG	34900-4114	CHY										E	CPA1	SALABLE			1	2	
KEY OPTION D	YELLOW	LIGHT GRAY	LONG	34900-4113	CHY										D	CPA1	SALABLE			1	2	
KEY OPTION C	YELLOW	DARK GRAY	LONG	34900-4112	CHY										C	CPA1	SALABLE			1	2	
KEY OPTION B	YELLOW	STONE GRAY	LONG	34900-4111	CHY										B	CPA1	SALABLE			1	2	
KEY OPTION A	YELLOW	BLACK	LONG	34900-4110	CHY										A	CPA1	SALABLE			1	2	

DESCRIPTION	COLOR	MATERIAL	COMMENTS
RING SEAL	LIGHT BLUE	INHERENTLY LUBRICATED SILICONE	
ISL	NATURAL	SPS/NYLON GF20	
CPA2	RED	PBT GF30	
CPA1	RED	PBT GF30	
TERMINAL HOUSING KEYING OPTION G	LIGHT GRAY	SPS/NYLON GF20	
TERMINAL HOUSING KEYING OPTION F	BLACK	SPS/NYLON GF20	
TERMINAL HOUSING KEYING OPTION E	DARK GRAY	SPS/NYLON GF20	
TERMINAL HOUSING KEYING OPTION D	LIGHT GRAY	SPS/NYLON GF20	
TERMINAL HOUSING KEYING OPTION C	DARK GRAY	SPS/NYLON GF20	
TERMINAL HOUSING KEYING OPTION B	STONE GRAY	SPS/NYLON GF20	
TERMINAL HOUSING KEYING OPTION A	BLACK	SPS/NYLON GF20	
MID LENGTH CONNECTOR HOUSING	BLACK	SPS/NYLON GF20	
CONNECTOR HOUSING	BLACK	SPS/NYLON GF20	UPDATED LATCH
CONNECTOR HOUSING	YELLOW	SPS/NYLON GF20	UPDATED LATCH
WIRE DRESS COVER STRAIGHT	BLACK	PA66	
WIRE DRESS COVER LEFT	BLACK	PA66	SOLD SEPARATELY SEE SD-160091-0001
WIRE DRESS COVER RIGHT	BLACK	PA66	
DESCRIPTION	COLOR	MATERIAL	COMMENTS

BOM/APPLICABLE COMPONENTS TABLE

ABREVIATION	COMPONENT
CHY	CONNECTOR HOUSING YELLOW
CHB	CONNECTOR HOUSING BLACK
CHBM	CONNECTOR HOUSING BLACK MID SHROUD
A	TERMINAL HOUSING KEY A
B	TERMINAL HOUSING KEY B
C	TERMINAL HOUSING KEY C
D	TERMINAL HOUSING KEY D
E	TERMINAL HOUSING KEY E
F	TERMINAL HOUSING KEY F
G	TERMINAL HOUSING KEY G
CPA1	CPA VERSION 1
CPA2	CPA VERSION 2
ISL	ISL
RING SEAL	RING SEAL
1	USCAR INTERFACE 120-S-004-1-Z02 SEE NOTE 1f FOR WEBSITE
2	MOLEX INLINE BLADE CONNECTOR SD-34899-6001

QUALITY SYMBOLS 	THIS DRAWING CONTAINS INFORMATION THAT IS PROPRIETARY TO MOLEX ELECTRONIC TECHNOLOGIES, LLC AND SHOULD NOT BE USED WITHOUT WRITTEN PERMISSION				
	EC NO: 639764 DRWN: GELIOTT01 CHKD: KBORUSZEWSKI REV APPR: KBORUSZEWSKI	2020/06/17 2020/06/23 2020/06/23	GENERAL TOLERANCES (UNLESS SPECIFIED) ANGULAR TOL ± ° 4 PLACES ± 3 PLACES ± 2 PLACES ± 0.1 1 PLACE ± 0.2 0 PLACES ± 0.5 DRAFT WHERE APPLICABLE MUST REMAIN WITHIN DIMENSIONS	DIMENSION UNITS: mm SCALE: 5:1 DRWN BY: MVANSLAMBROU DATE: 2012/05/03 CHKD BY: GGA DATE: 2012/12/13	
	1.2MM 1X4, 1X6 RECPT. SEALED ASSEMBLY CABLE SEAL 626759 - CHANGED CPA2 TO CPA1. ROLLING CHANGE AT GM.			PRODUCT CUSTOMER DRAWING	
	RELEASE STATUS: P1 RELEASE DATE: 2020/06/23 16:54:53	EC NO: 639764 DRWN: GELIOTT01 CHKD: KBORUSZEWSKI REV APPR: KBORUSZEWSKI	EC NO: 639764 DRWN: GELIOTT01 CHKD: KBORUSZEWSKI REV APPR: KBORUSZEWSKI	EC NO: 639764 DRWN: GELIOTT01 CHKD: KBORUSZEWSKI REV APPR: KBORUSZEWSKI	EC NO: 639764 DRWN: GELIOTT01 CHKD: KBORUSZEWSKI REV APPR: KBORUSZEWSKI

1X6 RECEPTACLE SEALED ASSEMBLY BOM SHEET 1

KEYING OPTION D	BLACK	STONE GRAY	MID LENGTH	34900-6230			CHMB			D	CPA2	SALABLE		1		3	
KEYING OPTION C	BLACK	DARK GRAY	MID LENGTH	34900-6221			CHMB			C	CPA2	SALABLE		1		3	
KEYING OPTION B	BLACK	LIGHT GRAY	MID LENGTH	34900-6228			CHMB		B		CPA2	SALABLE		1		3	
KEYING OPTION A	BLACK	BLACK	MID LENGTH	34900-6219			CHMB	A			CPA2	SALABLE		1		3	
KEYING OPTION D	BLACK	STONE GARY	LONG	34900-6243			CHLB			D	CPA2	SALABLE		1	2		
KEYING OPTION C	BLACK	DARK GRAY	LONG	34900-6242			CHLB			C	CPA2	SALABLE		1	2		
KEYING OPTION B	BLACK	LIGHT GRAY	LONG	34900-6241			CHLB		B		CPA2	SALABLE		1	2		
KEYING OPTION A	BLACK	BLACK	LONG	34900-6240			CHLB	A			CPA2	SALABLE		1	2		
KEYING OPTION D	YELLOW	STONE GRAY	LONG	34900-6213	CHLY					D	CPA2	SALABLE		1	2		
KEYING OPTION C	YELLOW	DARK GRAY	LONG	34900-6212	CHLY					C	CPA2	SALABLE		1	2		
KEYING OPTION B	YELLOW	LIGHT GRAY	LONG	34900-6211	CHLY				B		CPA2	SALABLE		1	2		
KEYING OPTION A	YELLOW	BLACK	LONG	34900-6210	CHLY				A		CPA2	SALABLE		1	2		
KEYING OPTION D	BLACK	STONE GRAY	MID LENGTH	34900-6130			CHMB			D	CPA1	SALABLE		1		3	
KEYING OPTION C	BLACK	DARK GRAY	MID LENGTH	34900-6121			CHMB			C	CPA1	SALABLE		1		3	
KEYING OPTION B	BLACK	LIGHT GRAY	MID LENGTH	34900-6128			CHMB		B		CPA1	SALABLE		1		3	
KEYING OPTION A	BLACK	BLACK	MID LENGTH	34900-6119			CHMB	A			CPA1	SALABLE		1		3	
KEYING OPTION D	BLACK	STONE GARY	LONG	34900-6143			CHLB			D	CPA1	SALABLE		1	2		
KEYING OPTION C	BLACK	DARK GRAY	LONG	34900-6142			CHLB			C	CPA1	SALABLE		1	2		
KEYING OPTION B	BLACK	LIGHT GRAY	LONG	34900-6141			CHLB		B		CPA1	SALABLE		1	2		
KEYING OPTION A	BLACK	BLACK	LONG	34900-6140			CHLB	A			CPA1	SALABLE		1	2		
KEYING OPTION D	YELLOW	STONE GRAY	LONG	34900-6113	CHLY					D	CPA1	SALABLE		1	2		
KEYING OPTION C	YELLOW	DARK GRAY	LONG	34900-6112	CHLY					C	CPA1	SALABLE		1	2		
KEYING OPTION B	YELLOW	LIGHT GRAY	LONG	34900-6111	CHLY				B		CPA1	SALABLE		1	2		
KEYING OPTION A	YELLOW	BLACK	LONG	34900-6110	CHLY				A		CPA1	SALABLE		1	2		
ASSEMBLY DESCRIPTION	CONNECTOR HOUSING COLOR	TERMINAL CAVITY COLOR	OUTER HOUSING SHROUD LENGTH	ASSEMBLY PART NUMBER					A	B	C	D	CPA1	CPA2	STATUS	COMMENTS	DESIGNED TO MATE WITH DEVICE CONNECTION

DESCRIPTION	COLOR	MATERIAL	COMMENTS
RING SEAL	BURNT RED	INHERENTLY LUBRICATED SILICONE	
ISL	NATURAL	SPS/NYLON GF20	
CPA2	RED	PBT GF30	
CPA1	RED	PBT GF30	
TERMINAL HOUSING KEYING OPTION D	STONE GRAY	SPS/NYLON GF20	
TERMINAL HOUSING KEYING OPTION C	DARK GRAY	SPS/NYLON GF20	
TERMINAL HOUSING KEYING OPTION B	LIGHT GRAY	SPS/NYLON GF20	
TERMINAL HOUSING KEYING OPTION A	BLACK	SPS/NYLON GF20	
CONNECTOR HOUSING MID LENGTH	BLACK	SPS/NYLON GF20	UPDATED LATCH
CONNECTOR HOUSING LONG	BLACK	SPS/NYLON GF20	UPDATED LATCH
CONNECTOR HOUSING LONG	YELLOW	SPS/NYLON GF20	UPDATED LATCH
WIRE DRESS COVER STRAIGHT	BLACK	PA66	SOLD SEPARATELY SEE SD-160091-0001
WIRE DRESS COVER LEFT	BLACK	PA66	
WIRE DRESS COVER RIGHT	BLACK	PA66	

BOM / APPLICABLE COMPONENTS TABLE

ABREVIATION	COMPONENT
CHLY	CONNECTOR HOUSING LONG YELLOW
CHLB	CONNECTOR HOUSING LONG BLACK
CHMB	CONNECTOR HOUSING MEDIUM BLACK
A	TERMINAL HOUSING KEY A
B	TERMINAL HOUSING KEY B
C	TERMINAL HOUSING KEY C
D	TERMINAL HOUSING KEY D
CPA1	CPA VERSION 1
CPA2	CPA VERSION 2
ISL	ISL
RING SEAL	RING SEAL
1	USCAR INTERFACE 120-S-006-1-Z02 SEE NOTE 1f FOR WEBSITE
2	MOLEX INLINE BLADE CONNECTOR SD-34899-6001
3	USCAR INTERFACE 120-S-006-1-Z04 SEE NOTE 1f FOR WEBSITE

QUALITY SYMBOLS 	THIS DRAWING CONTAINS INFORMATION THAT IS PROPRIETARY TO MOLEX ELECTRONIC TECHNOLOGIES, LLC AND SHOULD NOT BE USED WITHOUT WRITTEN PERMISSION				
	EC NO: 639764 DRWN: GELLIOTTO1 CHKD: KBORUSZEWSKI REV APPR: KBORUSZEWSKI	2020/06/17 2020/06/23 2020/06/23	GENERAL TOLERANCES (UNLESS SPECIFIED) ANGULAR TOL ± ° 4 PLACES ± 3 PLACES ± 2 PLACES ± 0.1 1 PLACE ± 0.2 0 PLACES ± 0.5	DIMENSION UNITS: mm SCALE: 2:1 DRWN BY: MVANSLAMBROU DATE: 2012/05/03 CHKD BY: DATE: APPR BY: GGA DATE: 2012/12/13	
	DRAFT WHERE APPLICABLE MUST REMAIN WITHIN DIMENSIONS			D D 	1.2MM 1X4, 1X6 RECPT. SEALED ASSEMBLY CABLE SEAL 626759 - CHANGED CPA2 TO CPA2. ROLLING CHANGE AT GM.
	PRODUCT CUSTOMER DRAWING		SERIES: 34900 MATERIAL NUMBER: SEE TABLE CUSTOMER: GENERAL MARKET	DOCUMENT NUMBER: SD-34900-6001 DOC TYPE: PSD DOC PART: 001 SHEET NUMBER: 6 OF 7	

OBSELETE PART NUMBERS

34900-4026	OBSELETE
34900-4025	OBSELETE
34900-4024	OBSELETE
34900-4023	OBSELETE
34900-4022	OBSELETE
34900-4021	OBSELETE
34900-4020	OBSELETE
34900-4016	OBSELETE
34900-4015	OBSELETE
34900-4014	OBSELETE
34900-4013	OBSELETE
34900-4012	OBSELETE
34900-4011	OBSELETE
34900-4010	OBSELETE
ASSEMBLY PART NUMBER	STATUS

1X4

34900-6030	OBSELETE
34900-6021	OBSELETE
34900-6028	OBSELETE
34900-6019	OBSELETE
34900-6043	OBSELETE
34900-6042	OBSELETE
34900-6041	OBSELETE
34900-6040	OBSELETE
34900-6013	OBSELETE
34900-6012	OBSELETE
34900-6011	OBSELETE
34900-6010	OBSELETE
ASSEMBLY PART NUMBER	STATUS

1X6

THIS DRAWING CONTAINS INFORMATION THAT IS PROPRIETARY TO MOLEX ELECTRONIC TECHNOLOGIES, LLC AND SHOULD NOT BE USED WITHOUT WRITTEN PERMISSION									
DIMENSION UNITS	SCALE	Material:		molex			1.2MM 1X4, 1X6 RECPT. SEALED ASSEMBLY CABLE SEAL 626759 - CHANGED CPA2 TO CPA2. ROLLING CHANGE AT GM.		
mm	1:1	Heat treat:							
GENERAL TOLERANCES (UNLESS SPECIFIED)		Finish:		PRODUCT CUSTOMER DRAWING					
ANGULAR TOL ± °		CURRENT REV DESC:							
4 PLACES	±	EC NO: 639764		DOCUMENT NUMBER: SD-34900-6001 DOC TYPE: PSD DOC PART: 001 REVISION: A17					
3 PLACES	±	DRWN: GELLIOTT01 2020/06/17							
2 PLACES	± 0.1	CHK'D: KBORUSZEWSKI 2020/06/23		MATERIAL NUMBER: GENERAL MARKET SHEET NUMBER: 7 OF 7					
1 PLACE	± 0.2	APPR: KBORUSZEWSKI 2020/06/23							
0 PLACES	± 0.5	ORIG DRWN BY: MVANSLAMBROU 2012/05/03							
TOOL NUMBER	THIRD ANGLE PROJECTION	DRAWING	SERIES	MATERIAL NUMBER			CUSTOMER		
		D-SIZE	34900				GENERAL MARKET		