

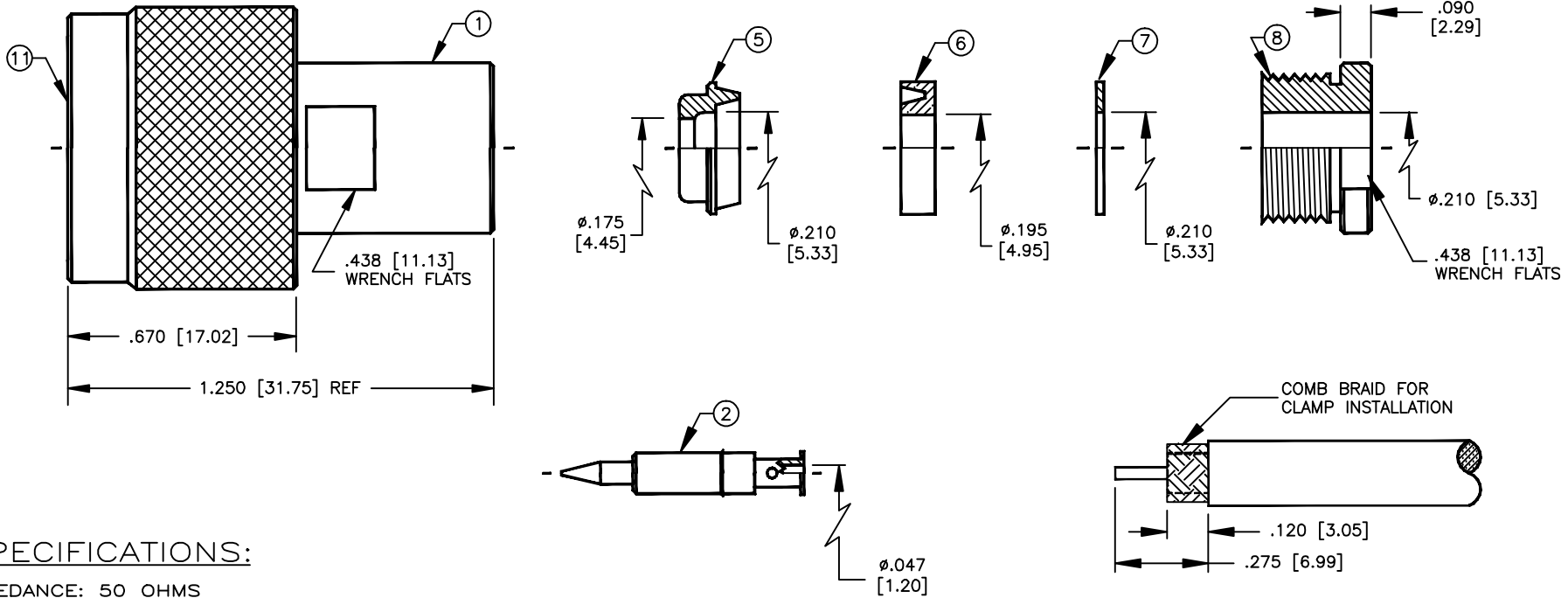
# SPECIFICATION CONTROL DRAWING

THIS DRAWING CONTAINS INFORMATION PROPRIETARY TO RF INDUSTRIES, LTD. ANY UNAUTHORIZED USE OF THIS DRAWING IS EXPRESSLY PROHIBITED. ANY VIOLATION IS PUNISHABLE UNDER U.S. COPYRIGHT LAWS.

REV	DESCRIPTION	DWN	DATE	APPROVED
A	ENGINEERING RELEASE	CZS	5/1/98	R. RICE

ALL DIMENSIONS ARE REFERENCE ONLY

000000



## SPECIFICATIONS:

IMPEDANCE: 50 OHMS  
 WORKING VOLTAGE: 1000 VRMS @ SEA LEVEL  
 FREQUENCY RANGE: 0-11 GHz  
 INSERTION LOSS:  $\leq$  -.2dB @ 10 GHz  
 VSWR MAX: 1.3:1 @ 9 GHz  
 FOR TIMES LMR-200, LMR-200 ULTRAFLEX, ALPHA 9848 & MSI-22  
 INTERFACE PER MIL-STD-348A, SECTION 304.1

SUGGESTED STRIPPING INSTRUCTIONS  
 SUGGESTED CRIMP DIE: .068

ITEM	DESCRIPTION	QTY	MATERIAL	FINISH
11	SHELL	1	BRASS	SILVER
10	GASKET	1	S.I.RUBBER	RED
9	RETAINING RING	1	SK-5	NONE
8	BACK NUT	1	BRASS	SILVER
7	WASHER	1	BRASS	SILVER
6	GASKET	1	S.I.RUBBER	RED
5	CLAMP	1	BRASS	SILVER
4	GROUND RING	1	BRASS	SILVER
3	DIELECTRIC	1	PTFE	NONE
2	PIN (PIN-3C2-10)	1	BRASS	GOLD
1	BODY	1	BRASS	SILVER

DIMENSIONS ARE IN INCHES AND [MILLIMETERS]	
UNLESS OTHERWISE NOTED TOLERANCES ARE:	
DECIMALS	DIAMETER
DRAWN C. ZUNIGA	5/1/98
CHECKED	
ORJ DRAWN C. ZUNIGA	5/1/98
APPROVALS	DATE

**RF connectors**  
 DIVISION OF RF INDUSTRIES, LTD.

7610 MIRAMAR RD  
 SAN DIEGO, CA 92126  
 (619)549-6340  
 (619)549-6345 FAX

## RFN-1000-C2S

N MALE CLAMP PLUG

SIZE A	CABLE GROUP C2	DWG NO. 8907	REV A
SCALE: 2:1		CAD FILE 13ARC B	SHEET 1 OF 1