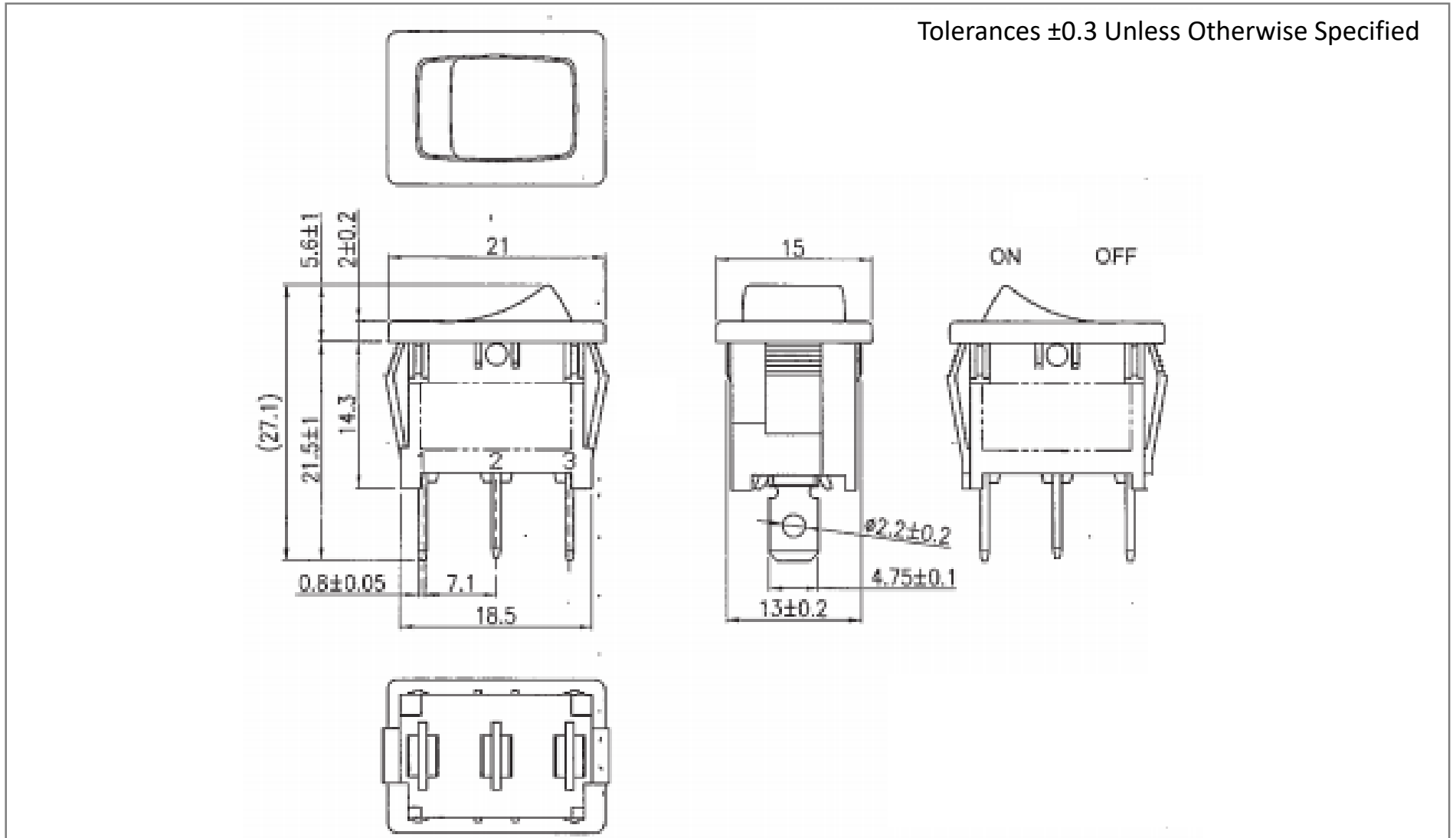
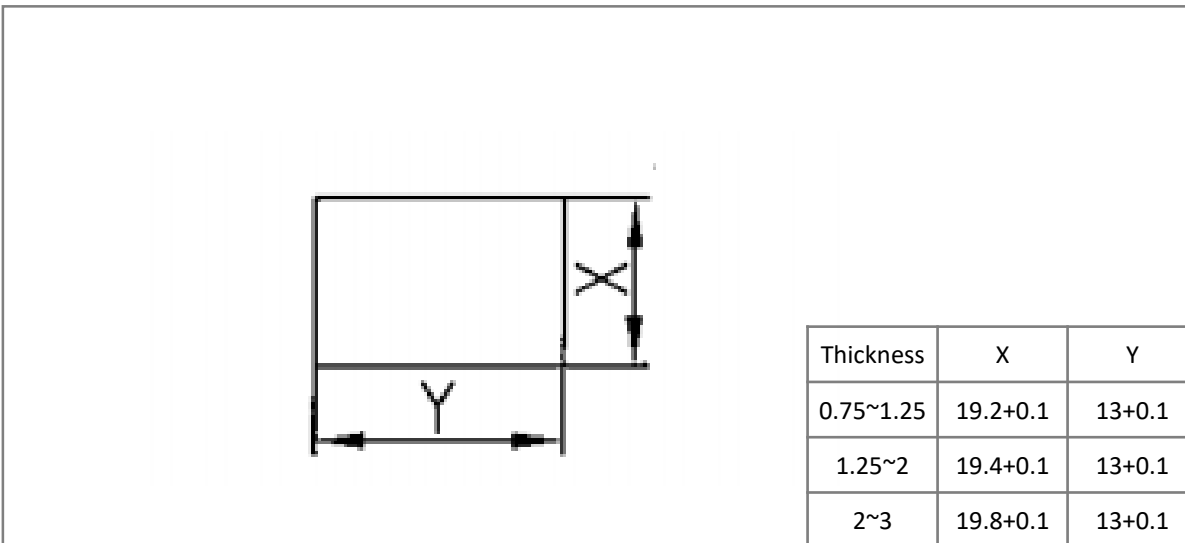


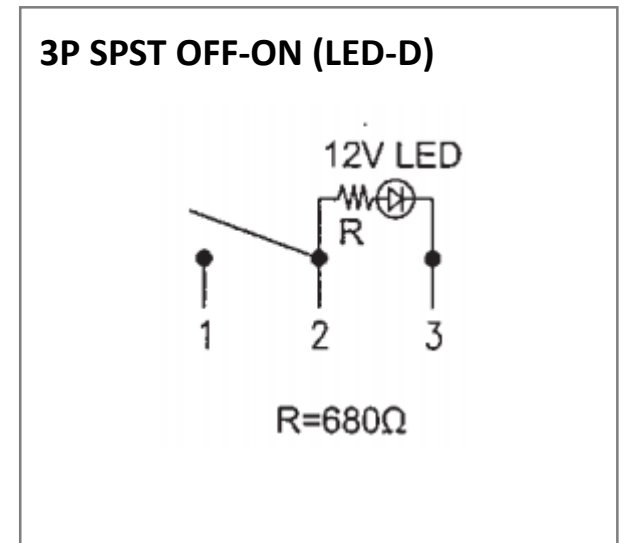
Mechanical Dimensions (mm)



Mounting Hole



Circuit Diagram



Electrical Specifications

| | |
|-----------------------|-----------------------|
| Rating | 16A 12V DC |
| Contact Resistance | 50m ohm Max. |
| Insulation Resistance | DC 500V 100M ohm Min. |
| Dielectric Strength | AC 1500V 1 minute |
| Operation Temperature | -25°C~85°C |

Material Specifications

| | |
|----------|-------------------|
| Frame | Black, Nylon 66 |
| Actuator | Green Clear, PC |
| LED | Green (Dependent) |