

POSITIONS/ CONTACTS	A		B		C	
	INCH	MM	INCH	MM	INCH	MM
02/04	0.100	2.54	0.220	5.58	N/A	N/A
03/06	0.200	5.08	0.320	8.12	0.100	2.54
04/08	0.300	7.62	0.420	10.66	0.200	5.08
05/10	0.400	10.16	0.520	13.20	0.300	7.62
06/12	0.500	12.70	0.620	15.74	0.400	10.16
07/14	0.600	15.24	0.720	18.28	0.500	12.70
08/16	0.700	17.78	0.820	20.82	0.600	15.24
09/18	0.800	20.32	0.920	23.36	0.700	17.78
10/20	0.900	22.86	1.020	25.90	0.800	20.32
11/22	1.000	25.40	1.120	28.44	0.900	22.86
12/24	1.100	27.94	1.220	30.98	1.000	25.40
13/26	1.200	30.48	1.320	33.52	1.100	27.94
14/28	1.300	33.02	1.420	36.06	1.200	30.48
15/30	1.400	35.56	1.520	38.60	1.300	33.02
16/32	1.500	38.10	1.620	41.14	1.400	35.56
17/34	1.600	40.64	1.720	43.68	1.500	38.10
18/36	1.700	43.18	1.820	46.22	1.600	40.64
19/38	1.800	45.72	1.920	48.76	1.700	43.18
20/40	1.900	48.26	2.020	51.30	1.800	45.72
21/42	2.000	50.80	2.120	53.84	1.900	48.26
22/44	2.100	53.34	2.220	56.38	2.000	50.80
23/46	2.200	55.88	2.320	58.92	2.100	53.34
24/48	2.300	58.42	2.420	61.46	2.200	55.88
25/50	2.400	60.96	2.520	64.00	2.300	58.42
26/52	2.500	63.50	2.620	66.54	2.400	60.96
27/54	2.600	66.04	2.720	69.08	2.500	63.50
28/56	2.700	68.58	2.820	71.62	2.600	66.04
29/58	2.800	71.12	2.920	74.16	2.700	68.58
30/60	2.900	73.66	3.020	76.70	2.800	71.12
31/62	3.000	76.20	3.120	79.24	2.900	73.66
32/64	3.100	78.74	3.220	81.78	3.000	76.20
33/66	3.200	81.28	3.320	84.32	3.100	78.74
34/68	3.300	83.82	3.420	86.86	3.200	81.28
35/70	3.400	86.36	3.520	89.40	3.300	83.82
36/72	3.500	88.90	3.620	91.94	3.400	86.36
37/74	3.600	91.44	3.720	94.48	3.500	88.90
38/76	3.700	93.98	3.820	97.02	3.600	91.44
39/78	3.800	96.52	3.920	99.56	3.700	93.98
40/80	3.900	99.06	4.020	102.10	3.800	96.52

**PART NUMBER CODING**

xPx Cxx 2KFMx-RC

**TERMINATION TYPES**

P = SURFACE MOUNT W/ GUIDE POSTS  
S = SURFACE MOUNT W/O GUIDE POSTS

**NUMBER OF POSITIONS**

(CONTACTS PER ROW, 02 THRU 40)

**PLATING**

(.000030" ~ .000050" NICKEL UNDERPLATED)

P = GOLD FLASH OVERALL

G = .000010" GOLD ON CONTACT SURFACE,  
GOLD FLASH ON TERMINATION

Y = .000030" GOLD ON CONTACT SURFACE,  
GOLD FLASH ON TERMINATION

T = TIN OVERALL

C = .000030" GOLD ON CONTACT SURFACE,  
.000100" TIN ON TERMINATION

B = .000010" GOLD ON CONTACT SURFACE,  
.000100" TIN ON TERMINATION

**INSULATOR MATERIAL**

N = NYLON 9T

OPERATING TEMPERATURE: -40°C TO +105°C

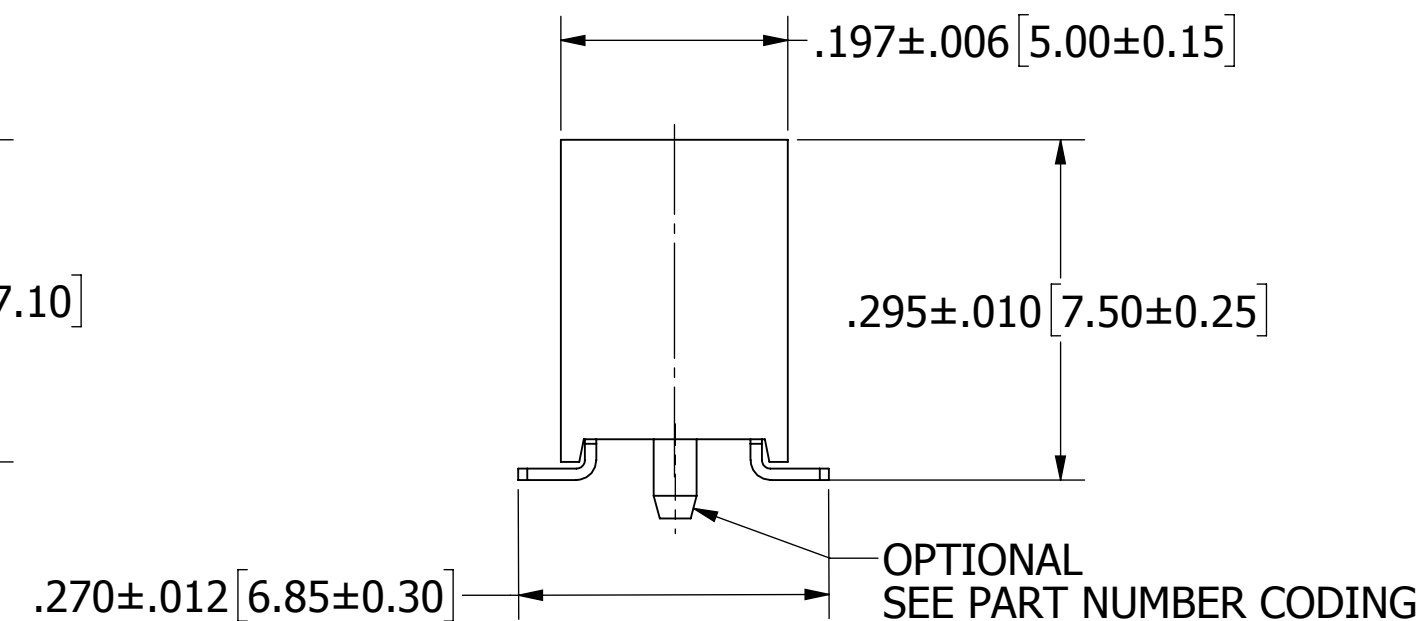
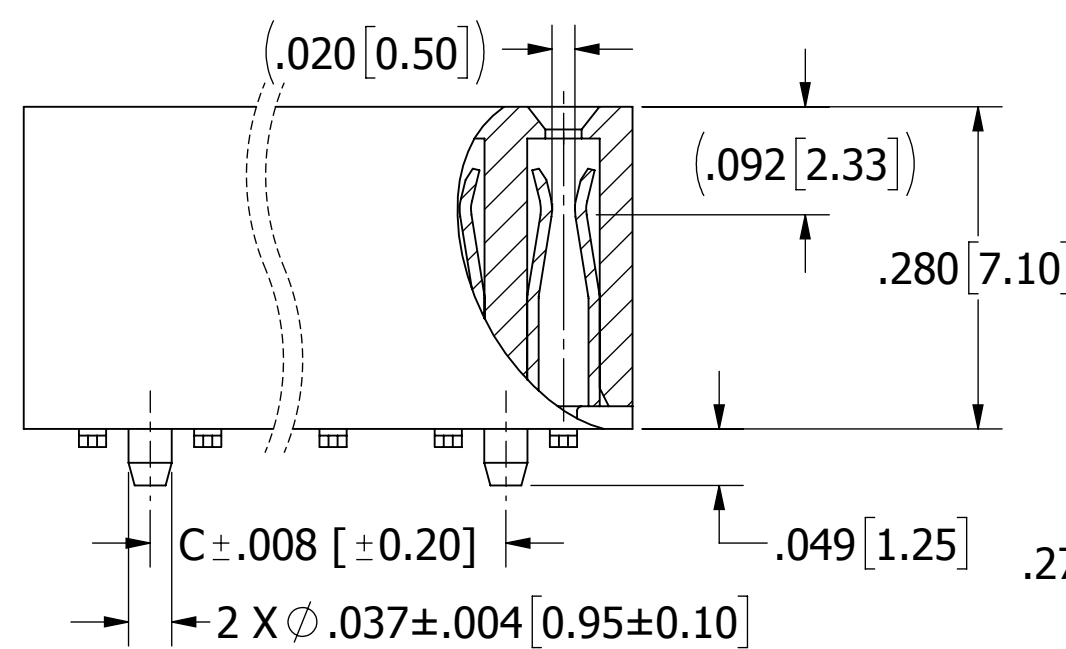
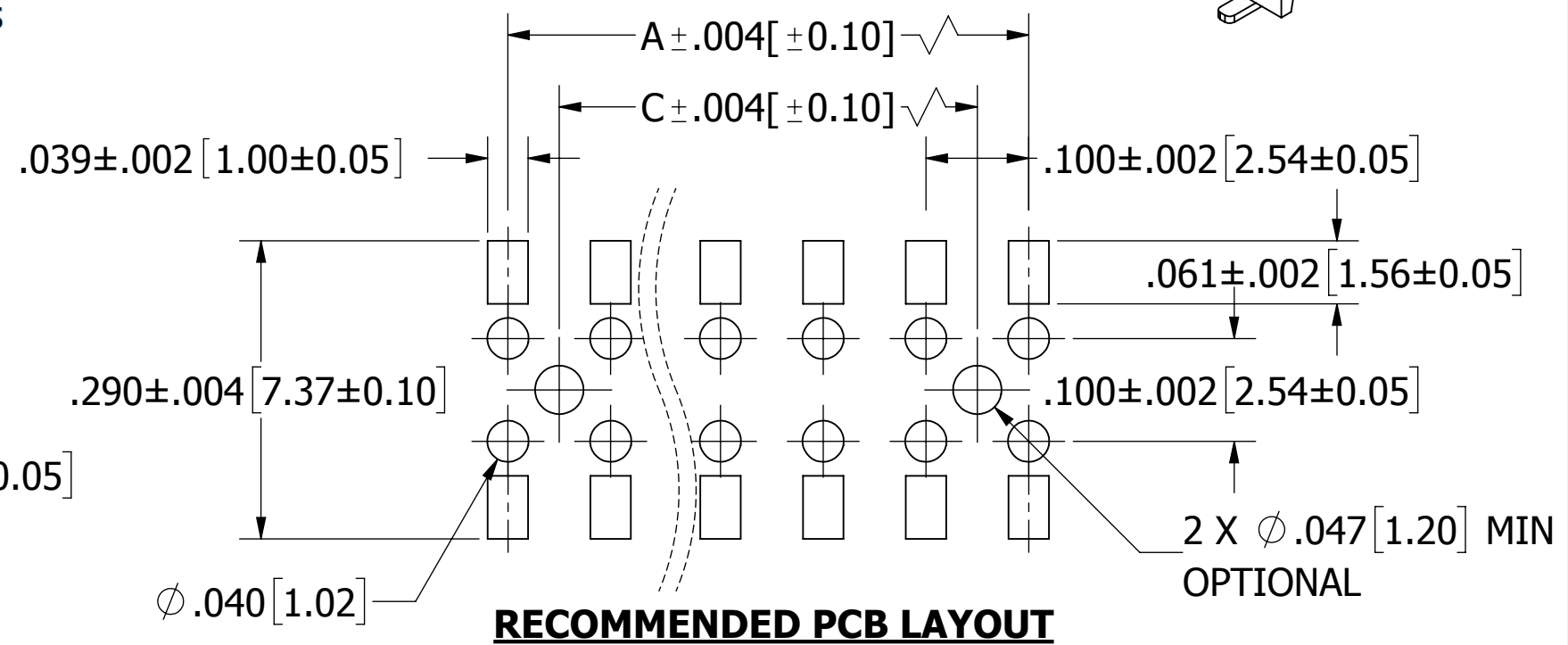
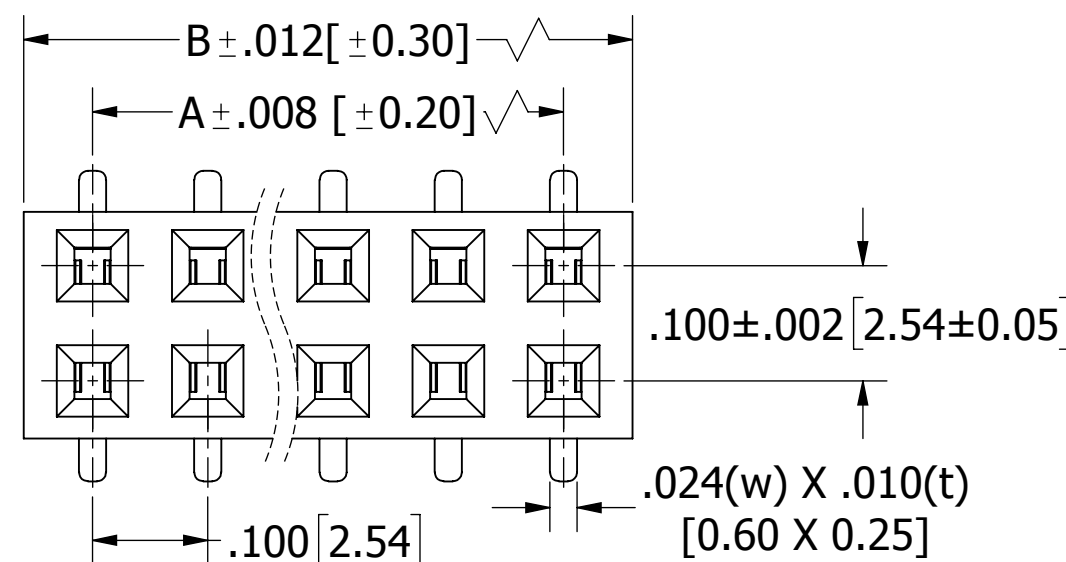
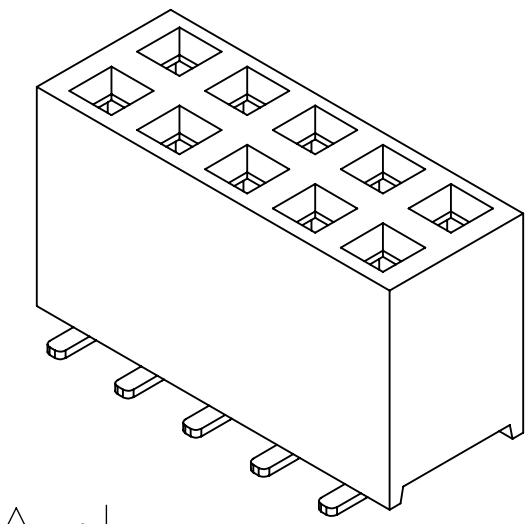
PROCESSING TEMP: 260°C MAX FOR 10 SECONDS

L = LCP

OPERATING TEMPERATURE: -40°C TO +125°C

PROCESSING TEMP: 260°C MAX FOR 10 SECONDS

REVISIONS				
REV.	ECO. NO	DESCRIPTION	DATE	BY
L	2829	ADD INSULATOR MATERIAL 'LCP' OPTION	12/10/2014	LH
M	3963	UPDATE GENERAL TOL IN TITLE BOX & NOTE 8, UPGRADE NYLON MTL (FROM 6T TO 9T)	1/3/2019	JH



02-20, .008[0.20] MAX.  
21-30, .012[0.30] MAX.  
31-40, .016[0.40] MAX.

**NOTES:**

- INSULATOR MATERIAL: SEE PART NUMBER CODING, UL 94V-0
- CONTACT MATERIAL: PHOSPHOR BRONZE
- CONTACT PLATING: SEE PART NUMBER CODING
- CURRENT RATING: 3 AMPS
- VOLTAGE RATING: 250V AC
- INSULATOR RESISTANCE: 5000 MEGOHMS MIN
- CONTACT RESISTANCE: 20 MILLIOHMS MAX
- DIELECTRIC WITHSTANDING: 1000 VAC
- OPERATING TEMPERATURE: SEE PART NUMBER CODING
- PROCESSING TEMP.: SEE PART NUMBER CODING
- MATES WITH SULLINS .100 [2.54] CONTACT CENTER MALE HEADER SERIES (.025 [0.64] SQUARE POSTS)



UNLESS OTHERWISE SPECIFIED: DIMENSIONS ARE IN INCHES [MM]		DRAWN	DATE	NAME	
			12/04/2008	JH	
TOLERANCES: ANGULAR: ± 5° DECIMALS .XX = ± .012 [.3] .XXX = ± .008 [.20] .XXXX = ± .0039 [.100]					TITLE
					HEADER FEMALE, 2.54mm CC, 2 ROWS, SMT
					PART NUMBER
					xPx Cxx 2KFMx-RC
SIZE	CAGE CODE	DWG. NO.	REV		
C	54453	10488	M		
SCALE: 6:1		SHEET 1 OF 1			