



Title of Change:	Revision of Case Outline 506AX.
Effective date:	24 Aug 2020
Contact information:	Contact your local ON Semiconductor Sales Office or IgnatiusPillay.FelixAmbrose@onsemi.com
Type of notification:	This Product Bulletin is for notification purposes only. ON Semiconductor will proceed with implementation of this change upon publication of this Product Bulletin.
Change Category:	New revision of Case Outline 506AX
Change Sub-Category(s):	Datasheet/Product Doc change

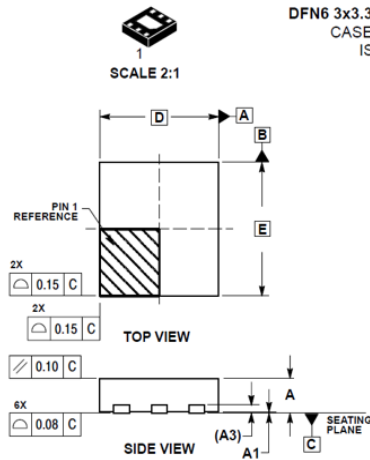
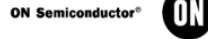
Sites Affected:

ON Semiconductor Sites	External Foundry/Subcon Sites
None	None

Description and Purpose:

To change the A dimension, package thickness from 0.80mm to 0.90mm to 0.80mm to 1.00mm for case 506AX.
 No change to solder footprint is required. There is no material or manufacturing change; this is a document update only to align to standards and manufacturing capability

MECHANICAL CASE OUTLINE
 PACKAGE DIMENSIONS



DFN6 3x3.3 MM, 0.95 PITCH
 CASE 506AX-01
 ISSUE 0

DATE 20 JAN 2006

- NOTES:
1. DIMENSIONS AND TOLERANCING PER ASME Y14.5M, 1994
 2. CONTROLLING DIMENSION: MILLIMETERS.
 3. DIMENSION b APPLIES TO PLATED TERMINAL AND IS MEASURED BETWEEN 0.25 AND 0.30 mm FROM TERMINAL.
 4. COPLANARITY APPLIES TO THE EXPOSED PAD AS WELL AS THE TERMINALS.

DIM	MIN	NOM	MAX
A	0.80	---	0.90
A1	0.90	---	0.95
A3	0.20	REF	---
b	0.30	---	0.40
D	3.00	BSC	---
D2	1.90	---	2.10
E	3.30	BSC	---
E2	1.10	---	1.30
h	0.95	BSC	---
K	0.20	---	---
L	0.40	---	0.60
L1	0.00	---	0.15

CHANGE A DIMENSION MAX LIMIT TO 1.00MM INLINE WITH JEDEC SPEC

List of Affected Standard Parts:

Note: Only the standard (off the shelf) part numbers are listed in the parts list. Any custom parts affected by this PCN are shown in the customer specific PCN addendum in the PCN email notification, or on the [PCN Customized Portal](#).

NCP565MN15T2G	NCP605MN28T2G	NCP605MN50T2G
NCP606MN30T2G	NCP606MN28T2G	NCP605MN33T2G
NCP605MN30T2G	NCP606MN15T2G	NCP605MN15T2G
NCP605MN18T2G	NCP605MN25T2G	NCP606MN25T2G
NCP606MN33T2G	NCP606MN18T2G	NCP606MN50T2G
NCP606MNADJT2G	NCP605MNADJT2G	NCP565MNADJT2G
NCP5661MN30T2G	NCP5661MN12T2G	NCP5661MN18T2G



NCP5661MN28T2G	NCP5661MN25T2G	NCP5661MNADJT2G
NCP565MN30T2G	NCP565MN12T2G	NCP565MN33T2G
NCP565MN28T2G	NCP5661MN15T2G	NCP5661MN33T2G

Japanese translation of the notification starts here.
通知の日本語訳はここから始まります。

Note: The Japanese version is for reference only. In case of any differences between the English and Japanese version, the English version shall control.

注：日本語版は参照用です。英語版と日本語版の違いがある場合は、英語版が優先されます。



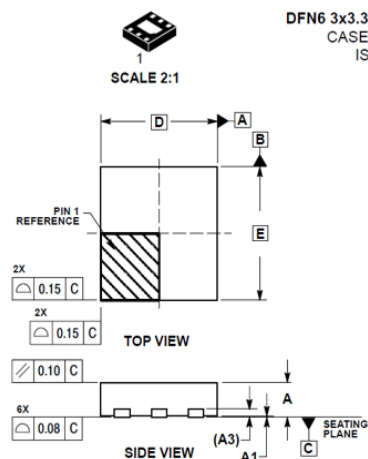
変更件名:	ケースアウトライン 506AX の改訂
発効日:	24 Aug 2020
連絡先情報:	現地のオン・セミコンダクター営業所または < IgnatiusPillay.FelixAmbrose@onsemi.com > にお問い合わせください。
通知種別:	本製品速報は通知目的のみのものです。オン・セミコンダクターは本製品速報の発行により本変更を実行します。
変更カテゴリ:	ケースアウトライン 506AX の新規改訂
変更サブカテゴリ:	データシート/製品資料の変更
影響を受ける拠点:	
オン・セミコンダクター拠点:	外部製造工場 / 下請業者拠点:
なし	なし

説明および目的:

A 寸法の変更にともない、506AX ケースのパッケージの厚さが 0.80mm から 0.90mm を、0.80mm から 1.00mm に変更。はんだフットプリントへの変更はありません。材料や製造上の変更はありません。規格や製造能力への適合を目的とした、ドキュメント上の更新のみです。

MECHANICAL CASE OUTLINE
PACKAGE DIMENSIONS

ON Semiconductor®

DFN6 3x3.3 MM, 0.95 PITCH
CASE 506AX-01
ISSUE 0

DATE 20 JAN 2006

- NOTES:
1. DIMENSIONS AND TOLERANCING PER ASME Y14.5M, 1994.
 2. CONTROLLING DIMENSION: MILLIMETERS.
 3. DIMENSION b APPLIES TO PLATED TERMINAL AND IS MEASURED BETWEEN 0.25 AND 0.30 mm FROM TERMINAL.
 4. COPLANARITY APPLIES TO THE EXPOSED PAD AS WELL AS THE TERMINALS.

	MILLIMETERS		
	DIM.	MIN.	MAX.
A	0.80	---	0.90
A1	0.60	---	0.95
A2	0.20	REF.	---
b	0.30	---	0.40
D	3.00	BSC	---
D2	1.90	---	2.10
E	3.30	BSC	---
E2	1.10	---	1.30
e	0.95	BSC	---
K	0.20	---	---
L	0.40	---	0.60
LT	0.00	---	0.15

CHANGE A DIMENSION MAX LIMIT TO 1.00MM INLINE WITH JEDEC SPEC

影響を受ける部品の一覧:

注: 標準の部品番号(既製品)のみが部品一覧に記載されます。本 PCN に影響を受けるカスタム 部品は、PCN メールの顧客の特定の PCN の付属文書、または PCN カスタマイズポータルに記載されています。

NCP565MN15T2G

NCP605MN28T2G

NCP605MN50T2G



NCP606MN30T2G	NCP606MN28T2G	NCP605MN33T2G
NCP605MN30T2G	NCP606MN15T2G	NCP605MN15T2G
NCP605MN18T2G	NCP605MN25T2G	NCP606MN25T2G
NCP606MN33T2G	NCP606MN18T2G	NCP606MN50T2G
NCP606MNADJT2G	NCP605MNADJT2G	NCP565MNADJT2G
NCP5661MN30T2G	NCP5661MN12T2G	NCP5661MN18T2G
NCP5661MN28T2G	NCP5661MN25T2G	NCP5661MNADJT2G
NCP565MN30T2G	NCP565MN12T2G	NCP565MN33T2G
NCP565MN28T2G	NCP5661MN15T2G	NCP5661MN33T2G



Appendix A: Changed Products

D

Product	Customer Part Number	Qualification Vehicle	New Part Number	Replacement Supplier
NCP605MN28T2G		NA		
NCP605MN50T2G		NA		
NCP605MN33T2G		NA		
NCP605MN15T2G		NA		
NCP605MN18T2G		NA		
NCP606MN25T2G		NA		
NCP606MN33T2G		NA		
NCP606MN18T2G		NA		
NCP606MN50T2G		NA		
NCP606MNADJT2G		NA		
NCP605MNADJT2G		NA		
NCP565MNADJT2G		NA		
NCP5661MN12T2G		NA		
NCP5661MN25T2G		NA		
NCP5661MNADJT2G		NA		
NCP5661MN33T2G		NA		
NCP606MN15T2G		NA		