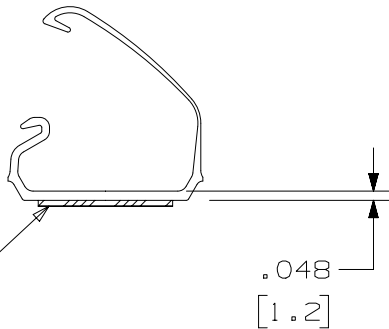
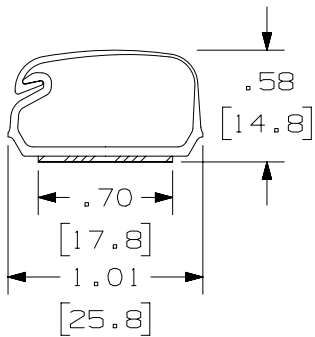


THIS COPY IS PROVIDED ON A RESTRICTED BASIS AND IS NOT TO BE USED IN ANY WAY DETRIMENTAL TO THE INTERESTS OF PANDUIT CORP.



ADHESIVE BACKING
PRESSURE SENSITIVE
FOAM .040 (1.0) THICK
WITH PROTECTIVE LINER.
OPEN VIEW

PART NAME	PANDUIT PART NUMBER (SEE NOTE 1)	LENGTH IN. (MM.)	STATIC LOAD (SEE NOTE 2)	APPROX. WEIGHT
LATCHING DUCT	LD5**6-A	72.0±.13 (1829±3.3)	.39 lbs/in (7.0 g/mm)	.089 lbs/ft (.133 g/mm)
	LD5**8-A	96.0±.13 (2438±3.3)	.39 lbs/in (7.0 g/mm)	.089 lbs/ft (.133 g/mm)
	LD5**10-A	120.0±.13 (3048±3.3)	.39 lbs/in (7.0 g/mm)	.089 lbs/ft (.133 g/mm)
	LD5**2-A	78.74±.13 (2000.0±3.3)	.39 lbs/in (7.0 g/mm)	.089 lbs/ft (.133 g/mm)
	LD5**3-A	118.11±.13 (3000.0±3.3)	.39 lbs/in (7.0 g/mm)	.089 lbs/ft (.133 g/mm)

NOTES:

- SEE CURRENT CATALOG FOR ADDITIONAL PART NUMBER SUFFIXES TO INDICATE COLOR AND OR PACKAGE QUANTITY.
- PART IS DESIGNED TO SUPPORT MAXIMUM WEIGHT ON A CLEAN, DRY, SMOOTH SURFACE. THE SURFACE MUST BE PROPERLY PREPARED IN ACCORDANCE WITH PANDUIT RECOMMENDATIONS.
- TO APPLY PART:
 - REMOVE PROTECTIVE LINER.
 - PLACE PART IN DESIRED LOCATION.
 - APPLY PRESSURE TO FLAT SURFACE OF PART.

NO WARRANTY, EXPRESSED OR IMPLIED, IS MADE BY PANDUIT WITH RESPECT TO ADHESIVE BOND PERFORMANCE. AMONG OTHER THINGS, THE CONDITIONS UNDER WHICH THESE MOUNTS MAY BE APPLIED AND/OR THE SURFACE TO WHICH THEY MAY BE APPLIED ARE BEYOND PANDUIT'S CONTROL.

DIMENSIONS IN PARENTHESES ARE IN METRIC.

REV	DATE	BY	CHK	APR	DESCRIPTION	ECN	TITLE				MATERIAL:	
							LATCHING DUCT LD5				PANDUIT	
							CUSTOMER DRAWING					
							ITEM REVISION NAME				PANDUIT	
							D15247BA/03					
							DATASET FILE NAME					
							D15247BA_DC_LD5/03A				PVC	
							UNLESS OTHERWISE SPECIFIED, DIMENSIONAL TOLERANCES ARE: IN (mm)					
							.X ± .XXX ± .XX ± .03 [.8] ANGLES ±					
03A	11-06-19	BSN	BETL	ELN	P. UPDATED LENGTH TOLERANCE TO MATCH CONTROL DWG	SS-15247	THIRD ANGLE PROJECTION				DRAWING NUMBER: SS-15247	
15	02-20-13	JBN	RTFI	RTFI	N. UPDATED DRAWING BORDER & TITLE BLOCK	SS-15247						
REV	DATE	BY	CHK	APR	DESCRIPTION	ECN	DRAWN BY	DATE	CHK	SCALE	SHT 1 OF 1	
							RS	02-19-79	HVP	FULL	A	

D10100DA/14