

## X4 SRAM Nonvolatile Controller Unit

### Features

- Power monitoring and switching for 3-volt battery-backup applications
- Write-protect control
- 2-input decoder for control of up to 4 banks of SRAM
- 3-volt primary cell inputs
- Less than 10ns chip-enable propagation delay
- 5% or 10% supply operation

### General Description

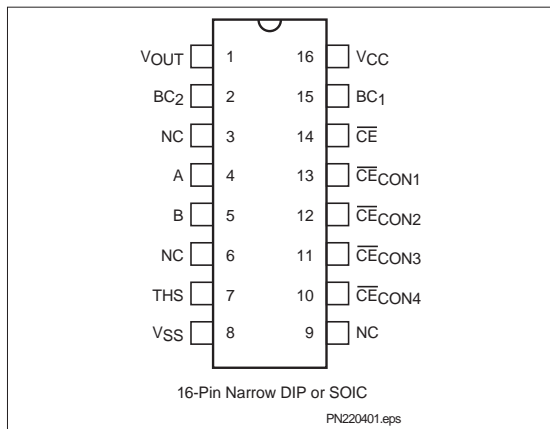
The CMOS bq2204A SRAM Nonvolatile Controller Unit provides all necessary functions for converting up to four banks of standard CMOS SRAM into nonvolatile read/write memory.

A precision comparator monitors the 5V VCC input for an out-of-tolerance condition. When out-of-tolerance is detected, the four conditioned chip-enable outputs are forced inactive to write-protect up to four banks of SRAM.

During a power failure, the external SRAMs are switched from the VCC supply to one of two 3V backup supplies. On a subsequent power-up, the SRAMs are write-protected until a power-valid condition exists.

During power-valid operation, a two-input decoder transparently selects one of up to four banks of SRAM.

### Pin Connections



### Pin Names

VOUT	Supply output
BC <sub>1</sub> –BC <sub>2</sub>	3 volt primary backup cell inputs
THS	Threshold select input
$\overline{CE}$	chip-enable active low input
$\overline{CECON1}$ – $\overline{CECON4}$	Conditioned chip-enable outputs
A–B	Decoder inputs
NC	No connect
VCC	+5 volt supply input
VSS	Ground

### Functional Description

Up to four banks of CMOS static RAM can be battery-backed using the VOUT and conditioned chip-enable output pins from the bq2204A. As VCC slews down during a power failure, the conditioned chip-enable outputs  $\overline{CECON1}$  through  $\overline{CECON4}$  are forced inactive independent of the chip-enable input  $\overline{CE}$ .

This activity unconditionally write-protects the external SRAM as VCC falls below an out-of-tolerance threshold VPFD. VPFD is selected by the threshold select input pin, THS. If THS is tied to VSS, the power-fail detection occurs at 4.62V typical for 5% supply operation.

If THS is tied to VCC, power-fail detection occurs at 4.37V typical for 10% supply operation. The THS pin must be tied to VSS or VCC for proper operation.

If a memory access is in process to any of the four external banks of SRAM during power-fail detection, that memory cycle continues to completion before the memory is write-protected. If the memory cycle is not terminated within time  $t_{WPT}$ , all four chip-enable outputs are unconditionally driven high, write-protecting the controlled SRAMs.



### Energy Cell Inputs—BC<sub>1</sub>, BC<sub>2</sub>

Two backup energy source inputs are provided on the bq2204A. The BC<sub>1</sub> and BC<sub>2</sub> inputs accept a 3V primary battery (non-rechargeable), typically some type of lithium chemistry. If no primary cell is to be used on either BC<sub>1</sub> or BC<sub>2</sub>, the unused input should be tied to V<sub>SS</sub>.

V<sub>CC</sub> falling below V<sub>VPFD</sub> starts the comparison of BC<sub>1</sub> and BC<sub>2</sub>. The BC input comparison continues until V<sub>CC</sub> rises above V<sub>VS0</sub>. Power to V<sub>OUT</sub> begins with BC<sub>1</sub> and switches to BC<sub>2</sub> only when V<sub>BC1</sub> is less than V<sub>BC2</sub> minus V<sub>B<sub>SO</sub></sub>. The controller alternates to the higher BC voltage only when the difference between the BC input voltages is greater than V<sub>B<sub>SO</sub></sub>. Alternating the backup batteries allows one-at-a-time battery replacement and efficient use of both backup batteries.

To prevent battery drain when there is no valid data to retain, V<sub>OUT</sub> and  $\overline{\text{CE}}_{\text{CON1-4}}$  are internally isolated from BC<sub>1</sub> and BC<sub>2</sub> by either of the following conditions:

- Initial connection of a battery to BC<sub>1</sub> or BC<sub>2</sub>, or
- Presentation of an isolation signal on  $\overline{\text{CE}}$ .

A valid isolation signal requires  $\overline{\text{CE}}$  low as V<sub>CC</sub> crosses both V<sub>VPFD</sub> and V<sub>VS0</sub> during a power-down. See Figure 2. Between these two points in time,  $\overline{\text{CE}}$  must be brought to the point of (0.48 to 0.52)\*V<sub>CC</sub> and held for at least 700ns. The isolation signal is invalid if  $\overline{\text{CE}}$  exceeds 0.54\*V<sub>CC</sub> at any point between V<sub>CC</sub> crossing V<sub>VPFD</sub> and V<sub>VS0</sub>.

The appropriate battery is connected to V<sub>OUT</sub> and  $\overline{\text{CE}}_{\text{CON1-4}}$  immediately on subsequent application and removal of V<sub>CC</sub>.

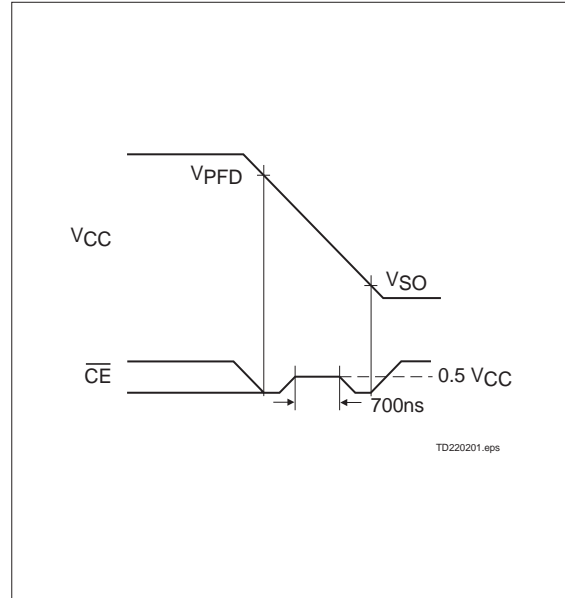


Figure 2. Battery Isolation Signal

### Truth Table

Input			Output			
$\overline{\text{CE}}$	A	B	$\overline{\text{CE}}_{\text{CON1}}$	$\overline{\text{CE}}_{\text{CON2}}$	$\overline{\text{CE}}_{\text{CON3}}$	$\overline{\text{CE}}_{\text{CON4}}$
H	X	X	H	H	H	H
L	L	L	L	H	H	H
L	H	L	H	L	H	H
L	L	H	H	H	L	H
L	H	H	H	H	H	L

# bq2204A

---

## Absolute Maximum Ratings

Symbol	Parameter	Value	Unit	Conditions
VCC	DC voltage applied on VCC relative to VSS	-0.3 to +7.0	V	
VT	DC voltage applied on any pin excluding VCC relative to VSS	-0.3 to +7.0	V	$V_T \leq V_{CC} + 0.3$
TOPR	Operating temperature	0 to 70	°C	Commercial
		-40 to +85	°C	Industrial "N"
TSTG	Storage temperature	-55 to +125	°C	
TBIAS	Temperature under bias	-40 to +85	°C	
TSOLDER	Soldering temperature	260	°C	For 10 seconds
IOUT	VOUT current	200	mA	

**Note:** Permanent device damage may occur if **Absolute Maximum Ratings** are exceeded. Functional operation should be limited to the Recommended DC Operating Conditions detailed in this data sheet. Exposure to conditions beyond the operational limits for extended periods of time may affect device reliability.

## Recommended DC Operating Conditions ( $T_A = T_{OPR}$ )

Symbol	Parameter	Minimum	Typical	Maximum	Unit	Notes
VCC	Supply voltage	4.75	5.0	5.5	V	THS = VSS
		4.50	5.0	5.5	V	THS = VCC
VSS	Supply voltage	0	0	0	V	
VIL	Input low voltage	-0.3	-	0.8	V	
VIH	Input high voltage	2.2	-	$V_{CC} + 0.3$	V	
VBC1, VBC2	Backup cell voltage	2.0	-	4.0	V	$V_{CC} < V_{BC}$
THS	Threshold select	-0.3	-	$V_{CC} + 0.3$	V	

**Note:** Typical values indicate operation at  $T_A = 25^\circ\text{C}$ ,  $V_{CC} = 5\text{V}$  or  $V_{BC}$ .

**DC Electrical Characteristics** ( $T_A = T_{OPR}$ ,  $V_{CC} = 5V \pm 10\%$ )

Symbol	Parameter	Minimum	Typical	Maximum	Unit	Conditions/Notes
I <sub>LI</sub>	Input leakage current	-	-	± 1	μA	V <sub>IN</sub> = V <sub>SS</sub> to V <sub>CC</sub>
V <sub>OH</sub>	Output high voltage	2.4	-	-	V	I <sub>OH</sub> = -2.0mA
V <sub>OH(B)</sub>	V <sub>OH</sub> , BC supply	V <sub>BC</sub> - 0.3	-	-	V	V <sub>BC</sub> > V <sub>CC</sub> , I <sub>OH</sub> = -10μA
V <sub>OL</sub>	Output low voltage	-	-	0.4	V	I <sub>OL</sub> = 4.0mA
I <sub>CC</sub>	Operating supply current	-	3	6	mA	No load on outputs.
V <sub>PF(D)</sub>	Power-fail detect voltage	4.55	4.62	4.75	V	T <sub>HS</sub> = V <sub>SS</sub>
		4.30	4.37	4.50	V	T <sub>HS</sub> = V <sub>CC</sub>
V <sub>SO</sub>	Supply switch-over voltage	-	V <sub>BC</sub>	-	V	
I <sub>CC(DR)</sub>	Data-retention mode current	-	-	100	nA	V <sub>OUT</sub> data-retention current to additional memory not included.
V <sub>BC</sub>	Active backup cell voltage	-	V <sub>BC1</sub>	-	V	V <sub>BC1</sub> > V <sub>BC2</sub> + V <sub>B(SO)</sub>
		-	V <sub>BC2</sub>	-	V	V <sub>BC2</sub> > V <sub>BC1</sub> + V <sub>B(SO)</sub>
V <sub>B(SO)</sub>	Battery switch-over voltage	0.25	0.4	0.6	V	
I <sub>OUT1</sub>	V <sub>OUT</sub> current	-	-	160	mA	V <sub>OUT</sub> > V <sub>CC</sub> - 0.3V
I <sub>OUT2</sub>	V <sub>OUT</sub> current	-	100	-	μA	V <sub>OUT</sub> > V <sub>BC</sub> - 0.2V

**Note:** Typical values indicate operation at  $T_A = 25^\circ\text{C}$ ,  $V_{CC} = 5V$  or  $V_{BC}$ .

**Capacitance** ( $T_A = 25^\circ\text{C}$ ,  $F = 1\text{MHz}$ ,  $V_{CC} = 5.0V$ )

Symbol	Parameter	Minimum	Typical	Maximum	Unit	Conditions
C <sub>IN</sub>	Input capacitance	-	-	8	pF	Input voltage = 0V
C <sub>OUT</sub>	Output capacitance	-	-	10	pF	Output voltage = 0V

**Note:** This parameter is sampled and not 100% tested.

# bq2204A

## AC Test Conditions

Parameter	Test Conditions
Input pulse levels	0V to 3.0V
Input rise and fall times	5ns
Input and output timing reference levels	1.5V (unless otherwise specified)

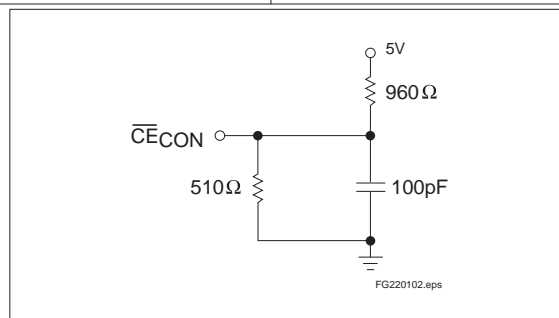


Figure 3. Output Load

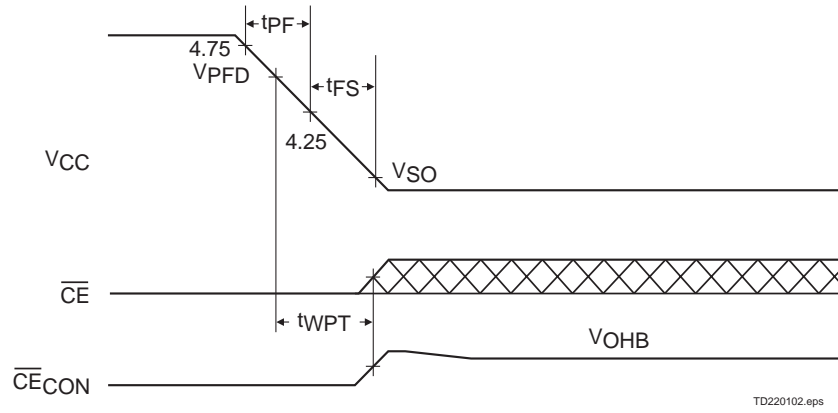
## Power-Fail Control ( $T_A = T_{OPR}$ )

Symbol	Parameter	Minimum	Typical	Maximum	Unit	Notes
tPF	V <sub>CC</sub> slew, 4.75V to 4.25V	300	-	-	μs	
tFS	V <sub>CC</sub> slew, 4.25V to V <sub>SO</sub>	10	-	-	μs	
tPU	V <sub>CC</sub> slew, 4.25V to 4.75V	0	-	-	μs	
tCED	chip-enable propagation delay	-	7	10	ns	
tAS	A,B set up to $\overline{CE}$	0	-	-	ns	
tCER	chip-enable recovery	40	80	120	ms	Time during which SRAM is write-protected after V <sub>CC</sub> passes V <sub>PF<math>\overline{D}</math></sub> on power-up.
tWPT	Write-protect time	40	100	150	μs	Delay after V <sub>CC</sub> slews down past V <sub>PF<math>\overline{D}</math></sub> before SRAM is write-protected.

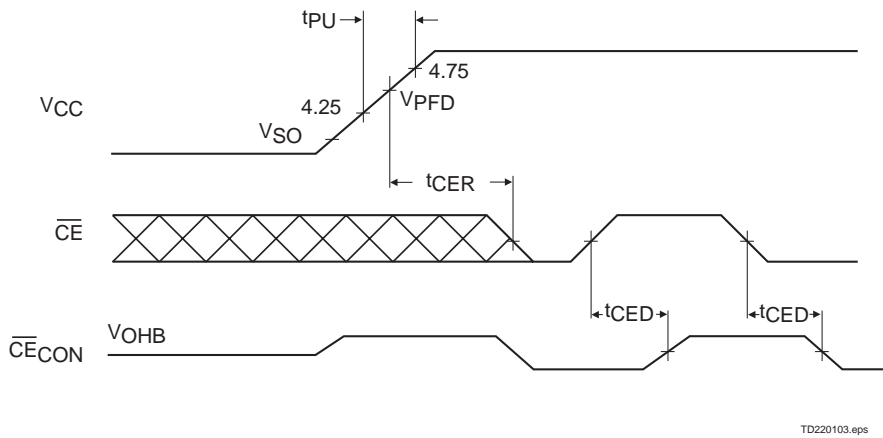
**Note:** Typical values indicate operation at  $T_A = 25^\circ\text{C}$ ,  $V_{CC} = 5\text{V}$ .

**Caution:** Negative undershoots below the absolute maximum rating of -0.3V in battery-backup mode may affect data integrity.

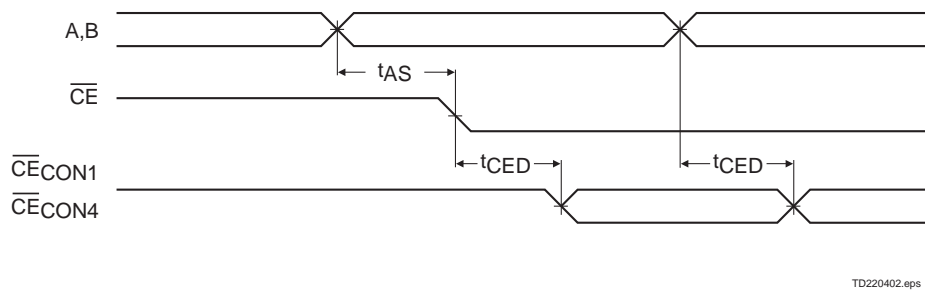
**Power-Down Timing**



**Power-Up Timing**



**Address-Decode Timing**



# bq2204A

---

## Data Sheet Revision History

Change No.	Page No.	Description of Change	Nature of Change
1	All	bq2204A replaces bq2204.	
1	1, 4-5	10% tolerance requires the THS pin to be tied to VCC, not VOUT.	
1	3	Energy cell input selection process alternates between BC1 and BC2.	

**Note:** Change 1 = Dec. 1992 changes from Sept. 1991



**PACKAGING INFORMATION**

Orderable Device	Status (1)	Package Type	Package Drawing	Pins	Package Qty	Eco Plan (2)	Lead finish/ Ball material (6)	MSL Peak Temp (3)	Op Temp (°C)	Device Marking (4/5)	Samples
BQ2204APN	ACTIVE	PDIP	N	16	25	RoHS & Green	NIPDAU	N / A for Pkg Type	0 to 70	2204APN	<a href="#">Samples</a>
BQ2204ASN	ACTIVE	SOIC	D	16	40	RoHS & Green	NIPDAU	Level-2-260C-1 YEAR	0 to 70	2204A	<a href="#">Samples</a>
BQ2204ASN-N	ACTIVE	SOIC	D	16	40	RoHS & Green	NIPDAU	Level-2-260C-1 YEAR	-40 to 85	2204A	<a href="#">Samples</a>
BQ2204ASNTR	ACTIVE	SOIC	D	16	2500	RoHS & Green	NIPDAU	Level-2-260C-1 YEAR	0 to 70	2204A	<a href="#">Samples</a>

(1) The marketing status values are defined as follows:

**ACTIVE:** Product device recommended for new designs.

**LIFEBUY:** TI has announced that the device will be discontinued, and a lifetime-buy period is in effect.

**NRND:** Not recommended for new designs. Device is in production to support existing customers, but TI does not recommend using this part in a new design.

**PREVIEW:** Device has been announced but is not in production. Samples may or may not be available.

**OBSOLETE:** TI has discontinued the production of the device.

(2) **RoHS:** TI defines "RoHS" to mean semiconductor products that are compliant with the current EU RoHS requirements for all 10 RoHS substances, including the requirement that RoHS substance do not exceed 0.1% by weight in homogeneous materials. Where designed to be soldered at high temperatures, "RoHS" products are suitable for use in specified lead-free processes. TI may reference these types of products as "Pb-Free".

**RoHS Exempt:** TI defines "RoHS Exempt" to mean products that contain lead but are compliant with EU RoHS pursuant to a specific EU RoHS exemption.

**Green:** TI defines "Green" to mean the content of Chlorine (Cl) and Bromine (Br) based flame retardants meet JS709B low halogen requirements of <=1000ppm threshold. Antimony trioxide based flame retardants must also meet the <=1000ppm threshold requirement.

(3) MSL, Peak Temp. - The Moisture Sensitivity Level rating according to the JEDEC industry standard classifications, and peak solder temperature.

(4) There may be additional marking, which relates to the logo, the lot trace code information, or the environmental category on the device.

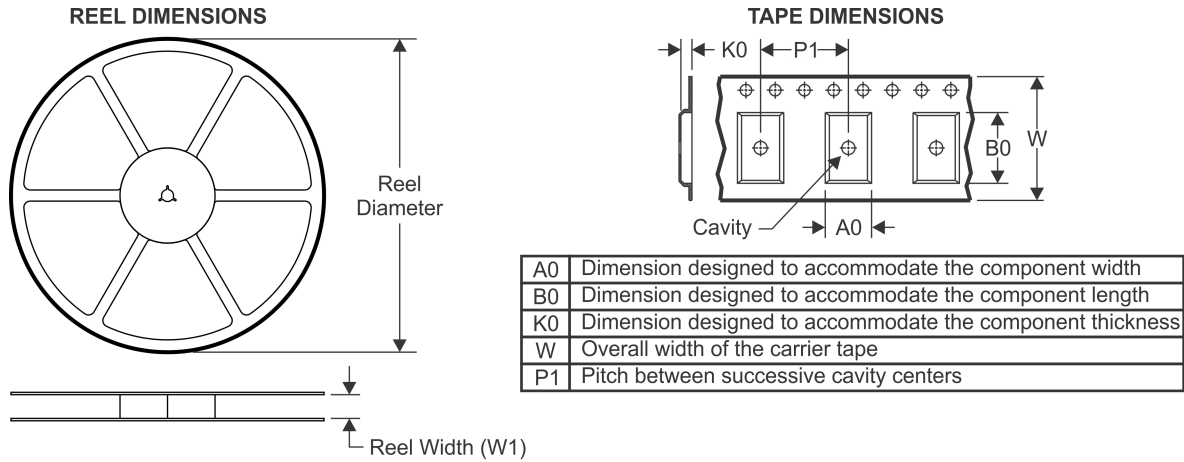
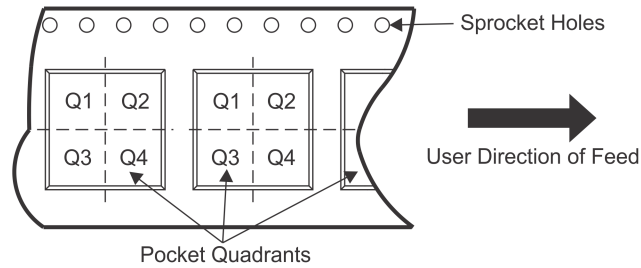
(5) Multiple Device Markings will be inside parentheses. Only one Device Marking contained in parentheses and separated by a "-" will appear on a device. If a line is indented then it is a continuation of the previous line and the two combined represent the entire Device Marking for that device.

(6) Lead finish/Ball material - Orderable Devices may have multiple material finish options. Finish options are separated by a vertical ruled line. Lead finish/Ball material values may wrap to two lines if the finish value exceeds the maximum column width.

**Important Information and Disclaimer:** The information provided on this page represents TI's knowledge and belief as of the date that it is provided. TI bases its knowledge and belief on information provided by third parties, and makes no representation or warranty as to the accuracy of such information. Efforts are underway to better integrate information from third parties. TI has taken and

continues to take reasonable steps to provide representative and accurate information but may not have conducted destructive testing or chemical analysis on incoming materials and chemicals. TI and TI suppliers consider certain information to be proprietary, and thus CAS numbers and other limited information may not be available for release.

In no event shall TI's liability arising out of such information exceed the total purchase price of the TI part(s) at issue in this document sold by TI to Customer on an annual basis.

**TAPE AND REEL INFORMATION**

**QUADRANT ASSIGNMENTS FOR PIN 1 ORIENTATION IN TAPE**


\*All dimensions are nominal

Device	Package Type	Package Drawing	Pins	SPQ	Reel Diameter (mm)	Reel Width W1 (mm)	A0 (mm)	B0 (mm)	K0 (mm)	P1 (mm)	W (mm)	Pin1 Quadrant
BQ2204ASNTR	SOIC	D	16	2500	330.0	16.4	6.5	10.3	2.1	8.0	16.0	Q1

TAPE AND REEL BOX DIMENSIONS



\*All dimensions are nominal

Device	Package Type	Package Drawing	Pins	SPQ	Length (mm)	Width (mm)	Height (mm)
BQ2204ASNTR	SOIC	D	16	2500	853.0	449.0	35.0

## IMPORTANT NOTICE AND DISCLAIMER

TI PROVIDES TECHNICAL AND RELIABILITY DATA (INCLUDING DATASHEETS), DESIGN RESOURCES (INCLUDING REFERENCE DESIGNS), APPLICATION OR OTHER DESIGN ADVICE, WEB TOOLS, SAFETY INFORMATION, AND OTHER RESOURCES "AS IS" AND WITH ALL FAULTS, AND DISCLAIMS ALL WARRANTIES, EXPRESS AND IMPLIED, INCLUDING WITHOUT LIMITATION ANY IMPLIED WARRANTIES OF MERCHANTABILITY, FITNESS FOR A PARTICULAR PURPOSE OR NON-INFRINGEMENT OF THIRD PARTY INTELLECTUAL PROPERTY RIGHTS.

These resources are intended for skilled developers designing with TI products. You are solely responsible for (1) selecting the appropriate TI products for your application, (2) designing, validating and testing your application, and (3) ensuring your application meets applicable standards, and any other safety, security, or other requirements. These resources are subject to change without notice. TI grants you permission to use these resources only for development of an application that uses the TI products described in the resource. Other reproduction and display of these resources is prohibited. No license is granted to any other TI intellectual property right or to any third party intellectual property right. TI disclaims responsibility for, and you will fully indemnify TI and its representatives against, any claims, damages, costs, losses, and liabilities arising out of your use of these resources.

TI's products are provided subject to TI's Terms of Sale (<https://www.ti.com/legal/termsofsale.html>) or other applicable terms available either on [ti.com](https://www.ti.com) or provided in conjunction with such TI products. TI's provision of these resources does not expand or otherwise alter TI's applicable warranties or warranty disclaimers for TI products.

Mailing Address: Texas Instruments, Post Office Box 655303, Dallas, Texas 75265  
Copyright © 2021, Texas Instruments Incorporated