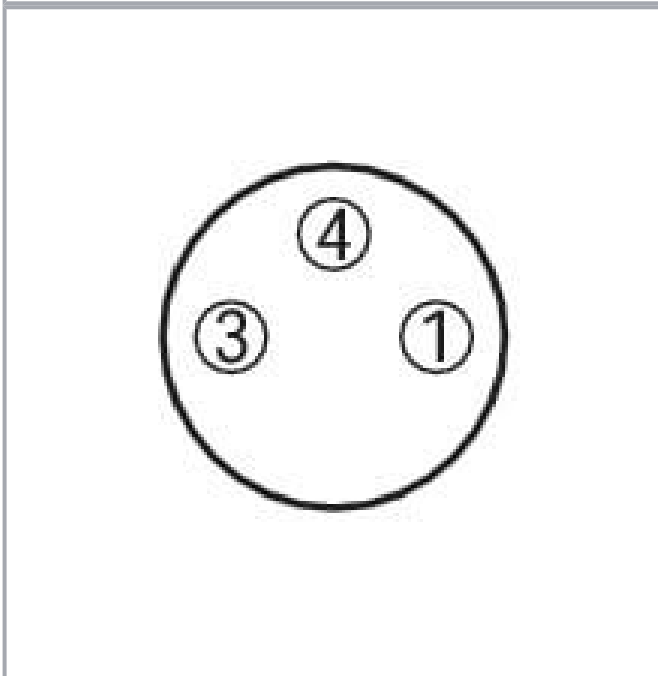
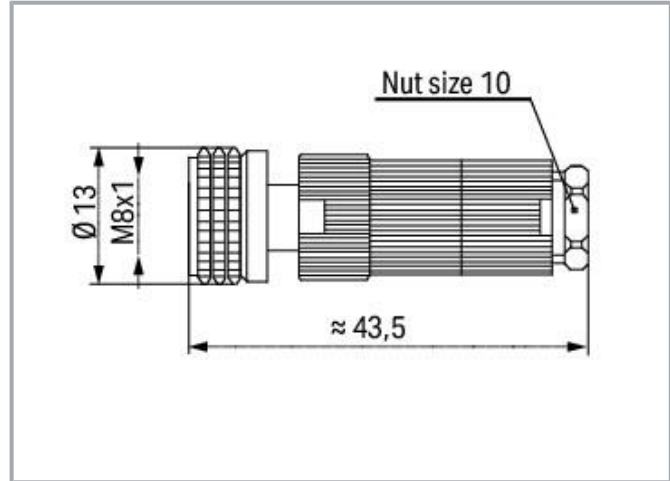


Data sheet | Item number: 756-9112/030-000

Fitted pluggable connector; 3-pole; M8 socket, straight; IDC technology

www.wago.com/756-9112/030-000



Data

Technical data

Connection type

M8 socket

Subject to changes. Please also observe the further product documentation!

WAGO GmbH & Co. KG

Hansastr. 27

32423 Minden

Phone: +49571 887-0 | Fax: +49571 887-169

Email: info.de@wago.com | Web: www.wago.com

Do you have any questions about our products?

We are always happy to take your call at +49 (571) 887-44222.



Pole number	3
Cable connection direction to mating direction	0°

Connection data

Connection type 1	Pin penetration technology
Solid conductor	0.14 ... 0.34 mm ²

Mechanical Data

Connectable sheathed cable diameter	4 ... 5 mm
Weight	13 g

Environmental requirements

Protection type	IP67
-----------------	------

Commercial data

eCl@ss 10.0	27-24-26-92
eCl@ss 9.0	27-24-26-92
ETIM 8.0	EC002584
ETIM 7.0	EC002584
PU (SPU)	5 pcs
Packaging type	box
Country of origin	DE
GTIN	4045454983321
Customs tariff number	85366990990

Environmental Product Compliance

RoHS Compliance Status	Compliant, No Exemption
------------------------	-------------------------

Downloads**Documentation****Bid Text**

756-9112/030-000 X81 - Datei	2019 Feb 19	xml 2.8 kB	Download
756-9112/030-000 doc - Datei	2017 Sep 20	doc 24.6 kB	Download

Subject to changes. Please also observe the further product documentation!



System Description

IP67 Cables and Pluggable Connectors	pdf 161.6 kB	Download
--------------------------------------	-----------------	----------

CAD/CAE-Data

CAE data

WSCAD Universe 756-9112/030-000	URL	Download
WSCAD Universe 756-9112/030-000	URL	Download

Environmental Product Compliance

Compliance Search

Environmental Product Compliance 756-9112/030-000 Fitted pluggable connector; 3-pole; M8 socket, straight; IDC technology	URL	Download
--	-----	----------

Installation Notes

Subject to changes. Please also observe the further product documentation!