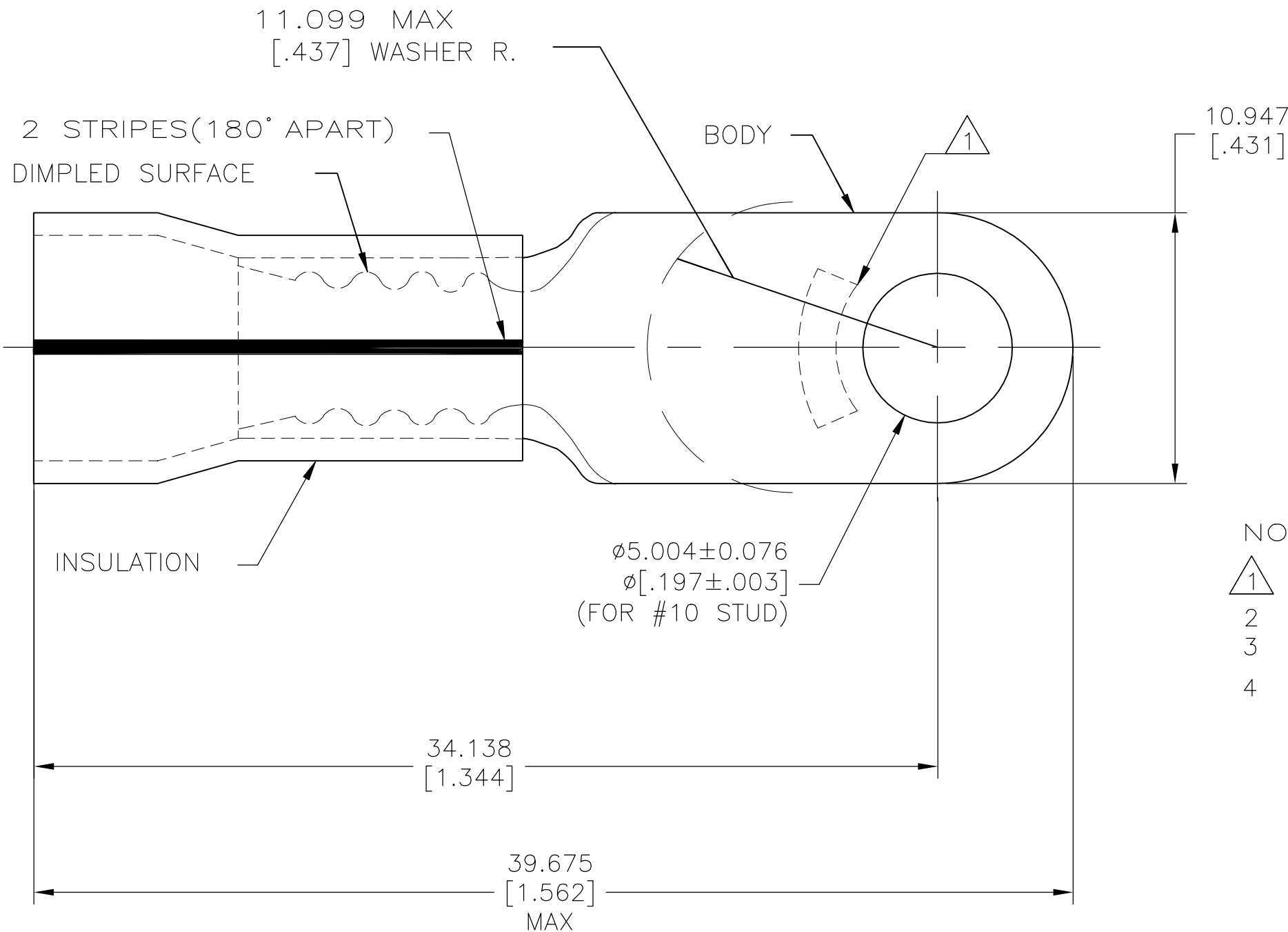


REVISIONS

P	LTR	DESCRIPTION	DATE	DWN	APVD
	G	REV PER 0G3A-0363-01	10JUL01	-	TM
	G1	REVISED PER ECO-17-014338	09APR2018	RS	DR



<b>AMP</b> WIRE RANGE
8 AWG STRANDED

NOTE:

- 1 STAMP AMP 8\* LOCATE APPROX AS SHOWN
- 2 BODY MATERIAL THK  $0.991 \pm 0.051$  [ $.039 \pm .002$ ]
- 3 WIRE INSULATION:  $\phi 9.652$  [ $\phi .380$ ] MAX
- 4 NOTE DELETED

100	LOOSE PC	53978-1
QTY	PACKAGE TYPE	PART NO

AMP INCORPORATED  
CUSTOMER SERVICE SYSTEMS

THIS DRAWING IS A CONTROLLED DOCUMENT.

DWN S.S. GOULDEN 10-7-93

CHK R. HERSEY 10-7-93

APVD B. BARE - 10-7-93

PRODUCT SPEC M. ELLIS

NOT AVAILABLE

APPLICATION SPEC

NOT AVAILABLE

WEIGHT

CUSTOMER DRAWING



NAME: TERMINAL, RING TONGUE, PVF, PLASTI-GRIP, WIRE SIZE: 8 AWG

SIZE	CAGE CODE	DRAWING NO	RESTRICTED TO
A3	00779	C-53978	-

MAX RECOMMENDED OPERATING TEMPERATURE: 150°C [302°F] MAX

VOLTAGE RATING: NOT APPLICABLE

WIRE CROSS SECTIONAL AREA RANGE, 6.64-10.54mm<sup>2</sup> [13,100-20,800] STRANDED

DIMENSIONS: mm [INCHES]	TOLERANCES UNLESS OTHERWISE SPECIFIED:
	0 PLC ± -
	1 PLC ± -
	2 PLC ± -
	3 PLC ± 0.127[.005]
	4 PLC ± -
	ANGLES ± -
MATERIAL BODY: COPPER PER ASTM B-152 INSULATION: PVF <sup>2</sup>	FINISH BODY: TIN/LEAD (93-7) PLATE PER ASTM B545 INSULATION COLOR: NATURAL W/RED STRIPES

FOR ADDITIONAL PRODUCT INFORMATION OR COPIES OF DRAWINGS AND TECHNICAL DOCUMENTS	PRODUCT INFORMATION CENTER 1-800-522-6752
FOR APPLICATION TOOLING INFORMATION	TOOLING ASSISTANCE CENTER 1-800-722-1111
FOR ORDER ENTRY	1-800-526-5142

SCALE	SHEET	REV
NTS	1 OF 1	G1