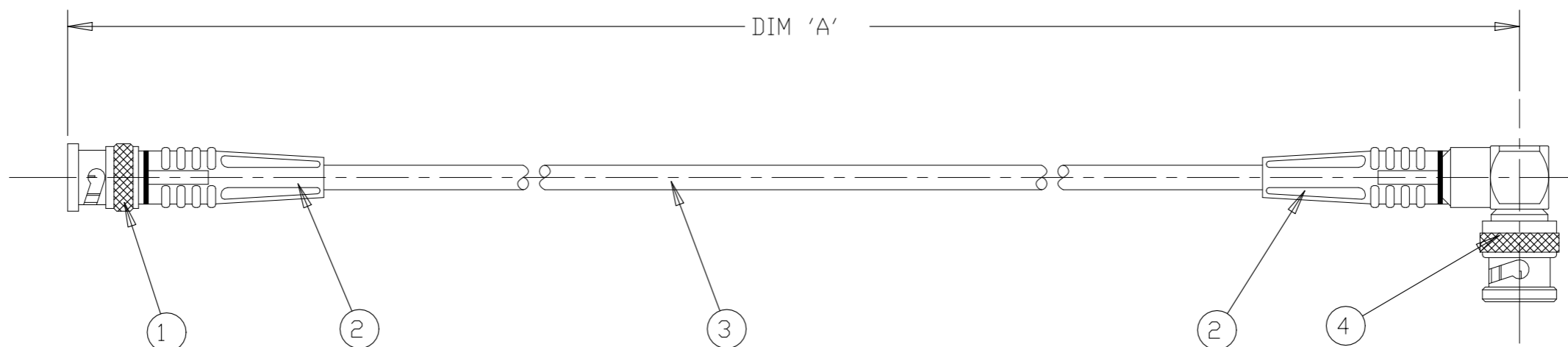



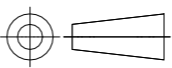
REVISIONS

P	LTR	DESCRIPTION	DATE	DWN	APVD
	C	ECR-23-174236	05MAY23	GSK	LEK

ITEM NO	PART NUMBER	DESCRIPTION	QTY/ ASSY
1	2436937-1	50 ohm BNC STRAIGHT PLUG	1
2	1337767-1	STRAIN RELIEF	2
3	1337715-1	RG58C/U CABLE	A/R
4	1-1337544-0	50 ohm BNC ELBOW PLUG	1



1500 ±25	1337772-4
1000 ±25	1337772-3
500 ±12	1337772-2
250 ±10	1337772-1
DIM 'A'	AMP PART NUMBER

THIS DRAWING IS A CONTROLLED DOCUMENT.		DWN R.CHURCHILL 21DEC2000	 TE Connectivity		
DIMENSIONS: mm		CHK D.CHICK 21DEC2000			
		APVD J. JEWELL 21DEC2000	NAME BNC PLUG - BNC PLUG CABLE ASSEMBLY		
TOLERANCES UNLESS OTHERWISE SPECIFIED:		PRODUCT SPEC	SIZE		
0 PLC ± -	1 PLC ± 0.1	APPLICATION SPEC	CAGE CODE	DRAWING NO	RESTRICTED TO
2 PLC ± 0.01	3 PLC ± 0.001				
4 PLC ± 0.0001	ANGLES ± -	WEIGHT	A3 00779 C-1337772		
MATERIAL	FINISH	CUSTOMER DRAWING		SCALE	SHEET
-	-			NTS	1 OF 1
				REV	C