

ID#	Description	DATE	STATUS
01	Initial Release	20141024	Released

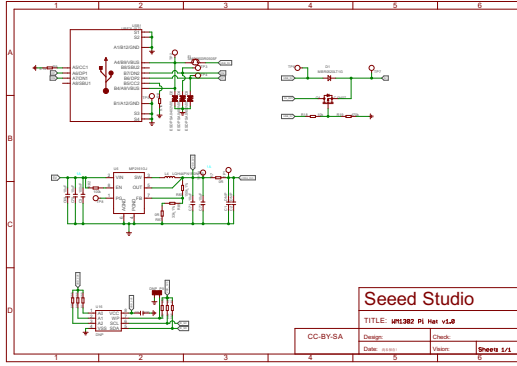
Seed Studio

TITLE: **uPi1302 Pi Hat v1.0**

CC-BY-SA

Design:      Check:

Date: 20141024      E-mail: [seed@seedstudio.com](mailto:seed@seedstudio.com)



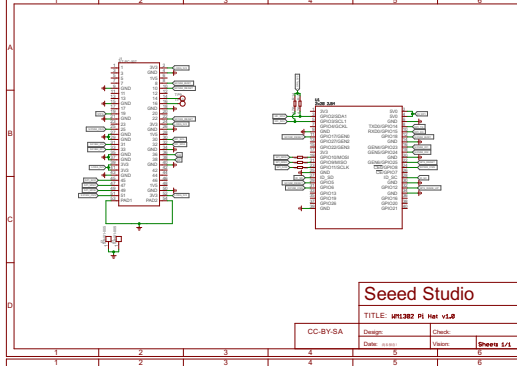
Seed Studio

TITLE: **uPi1302 Pi Hat v1.0**

CC-BY-SA

Design:      Check:

Date: 20141024      E-mail: [seed@seedstudio.com](mailto:seed@seedstudio.com)



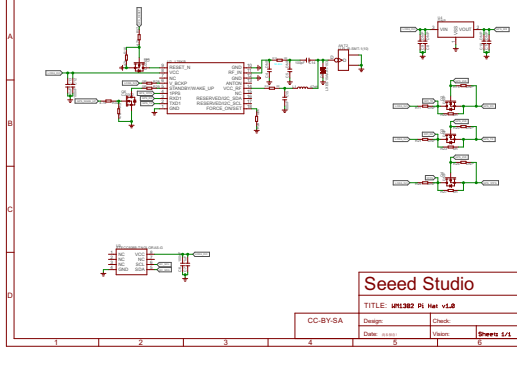
Seed Studio

TITLE: **uPi1302 Pi Hat v1.0**

CC-BY-SA

Design:      Check:

Date: 20141024      E-mail: [seed@seedstudio.com](mailto:seed@seedstudio.com)



Seed Studio

TITLE: **uPi1302 Pi Hat v1.0**

CC-BY-SA

Design:      Check:

Date: 20141024      E-mail: [seed@seedstudio.com](mailto:seed@seedstudio.com)