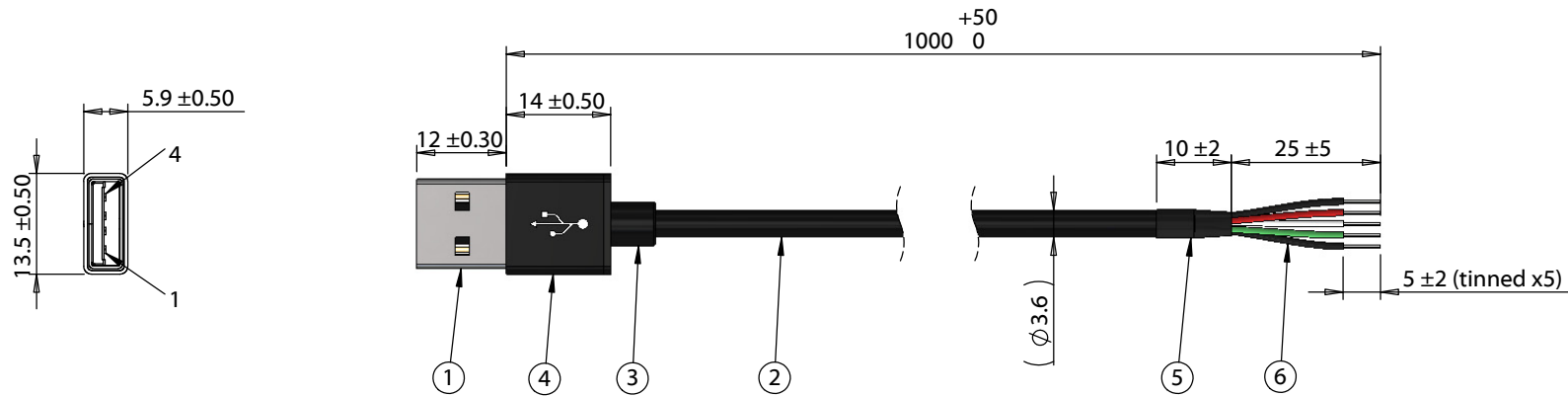


ITEM NO.	PART NUMBER	DESCRIPTION	QTY.	COMPONENT NOTES
1	50-00574	Connector, USB A 2.0 Plug, molding style, 180°, nickel plated shell, black insulator	1	
2	30-00088	Wire, 4C, 1PR + 2C, 28 AWG, UL2725, 30V, 80C, 3.6 mm, shielded, VW-1, PVC, 79A, USB 2.0	1	
3	24-00210	Overmold, plug, USB A, slim design for aluminum shell	1	PVC, black
4	55-00073	USB A plug aluminum shell, 13x13.5x5.9 mm	1	black
5	Heat Shrink	Heat shrink tubing, black	1	Covers jacket stripped end
6	Heat Shrink	Heat shrink tubing, black	1	Covers shield and drain



Wiring diagram	
50-00574	Wire Color
1	Red
2	White
3	Green
4	Black
Shell	Drain & Shield

Notes:
Functionally equivalent components may be substituted

Revision: A	Date: 1/5/2018	Description: Initial release	Prepared: AG <small>Digitally signed by AG Date: 2018.01.05 15:41:34 -08'00'</small>	Notes: RoHS compliant Function test: no open, no short circuit, no intermittent	<h1>TENSILITY</h1> <p>tel 1.541.323.3228 800 877.670.7118 fax 1.541.323.4202 web tensility.com</p>
			Verified: PS <small>Digitally signed by PS Date: 2018.01.19 15:32:53 -08'00'</small>		
			Dimensions are in millimeters. Tolerances: X: ± 0.5 mm X.X: ± 0.3 mm X.XX: ± 0.05 mm	Description: Cable, 1000 mm, 50-00574 USB A plug to 5 mm tinned, 28 AWG, 30-00088 wire	Size: A Part number: 10-02334
					Scale: 1:1 Sheet 1 of 1

5

4

3

2

1