

**MATERIALS:**

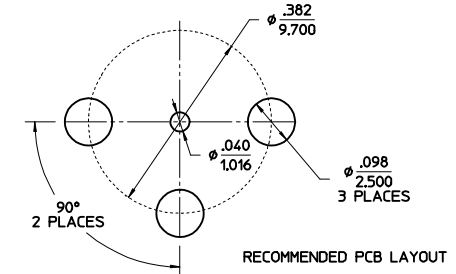
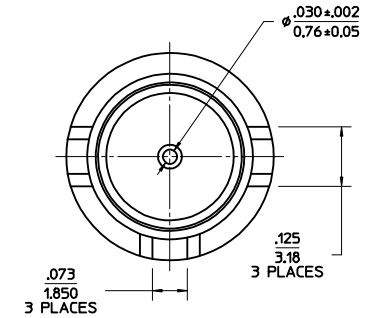
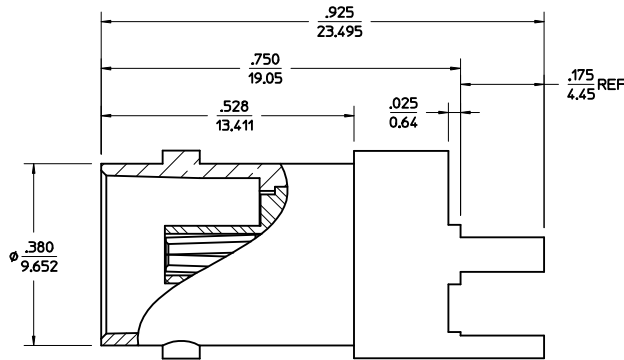
**BODY: BRASS**  
**PLATED: NICKEL**

**CENTER CONTACT: PHOSPHOR BRONZE**  
**PLATED: GOLD**

**INSULATOR: TEFLON**

**ELECTRICAL SPECIFICATIONS**

**FREQUENCY: DC-2.5 GHz**  
**INSERTION LOSS: .2db MAXIMUM AT 2.5 GHz**



PART # 73171-1740

PS-73598-0062	ELECTRO/MECHANICAL
ES-73599-0000	INTERFACE
SPECIFICATION	DESCRIPTION

<p><b>CHG: RELEASED DRAWING.</b></p> <p>EC NO: URF2008-0103                  DRAWN: ARBERTSON 2007/08/15                  CHKD: JWIENER 2007/08/15                  APPR: JWIENER 2007/08/15</p> <p><b>A</b></p>	<p>QUALITY SYMBOLS</p> <p>▽=0                  ▽=0</p>	GENERAL TOLERANCES (UNLESS SPECIFIED)		DIMENSION STYLE	SCALE	DESIGN UNITS	THIRD ANGLE PROJECTION		
				IN/MM		INCH			
		4 PLACES ± --- ± ---	3 PLACES ± --- ± ---	2 PLACES ± --- ± ---	1 PLACE ± --- ± ---	DRAWN BY SSS	CHECKED BY	TITLE BNC JACK STR PCB 75 OHMS BNC-JPCB	
		ANGULAR ±1/2°				APPROVED BY	DATE 2002/03/08	MOLEX MOLEX INCORPORATED	
DRAFT WHERE APPLICABLE MUST REMAIN WITHIN DIMENSIONS				MATERIAL NO. 731711740	DOCUMENT NO. SD-73171-174	SHEET NO. 1 OF 1			