

0.3 ± 0.03	10.65	14	9.5	15.2	54548-2033	54548-2022	20
	7.65	11	6.5	12.2	54548-1433	54548-1422	14
	7.15	10.5	6	11.7	54548-1333	54548-1322	13
	6.65	10	5.5	11.2	54548-1233	54548-1222	12
	5.65	9	4.5	10.2	54548-1033	54548-1022	10
	4.65	8	3.5	9.2	54548-0833	54548-0822	8
	4.15	7.5	3	8.7	54548-0733	54548-0722	7
	3.65	7	2.5	8.2	54548-0633	54548-0622	6
	3.15	6.5	2	7.7	54548-0533	54548-0522	5
2.65	6.0	1.5	7.2	54548-0433	54548-0422	4	
THICKNESS OF FPC	D	C	B	A	EMBOSSED TAPE ORDER No. オーダー番号	製品番号 MATERIAL No.	極数 CIRCUIT

GENERAL TOLERANCES (UNLESS SPECIFIED)

10 ^{UNDER}	±0.2
10 ^{OVER} 30 ^{UNDER}	±0.25
30 ^{OVER}	±0.3

THIS DRAWING CONTAINS INFORMATION THAT IS PROPRIETARY TO MOLEX ELECTRONIC TECHNOLOGIES, LLC AND SHOULD NOT BE USED WITHOUT WRITTEN PERMISSION

SCALE: 10:1

GENERAL TOLERANCES (UNLESS SPECIFIED)

DIMENSION UNITS		SCALE	
mm	10:1	mm	10:1
GENERAL TOLERANCES (UNLESS SPECIFIED)		CURRENT REV DESC: OBSOLETE PART NUMBER	
4 PLACES	±	EC NO: 636343	2020/04/14
3 PLACES	±	DRWN: AKUMAR19	
2 PLACES	±	CHK'D: GGA	
1 PLACE	±	APPR: GGA	2020/07/10
0 PLACES	±	INITIAL REVISION:	2013/12/04
ANGULAR TOL ± 3.0°		DRWN: JASANUMA	
DRAFT WHERE APPLICABLE MUST REMAIN WITHIN DIMENSIONS		APPR: YNOGAWA	2014/01/10
THIRD ANGLE PROJECTION		DRAWING	SERIES
A3-SIZE		54548	MATERIAL NUMBER
SEE TABLE		CUSTOMER	GENERAL MARKET
SHEET NUMBER		1 OF 2	

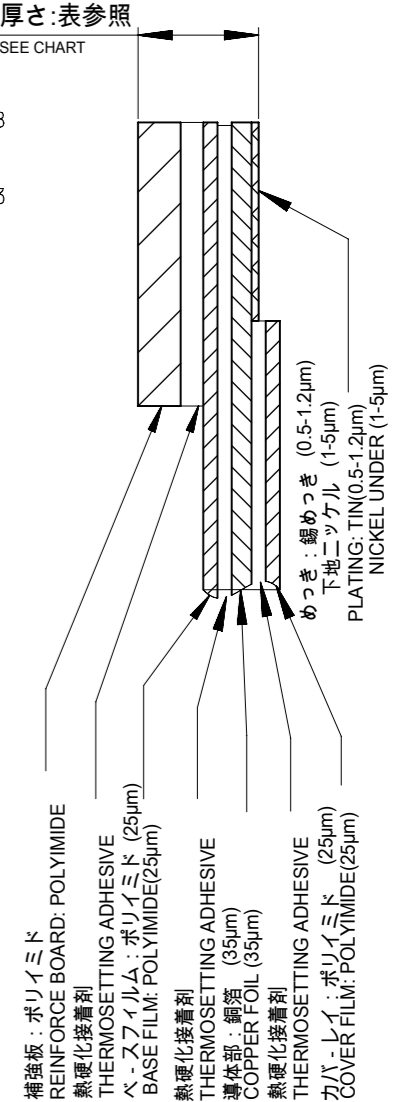
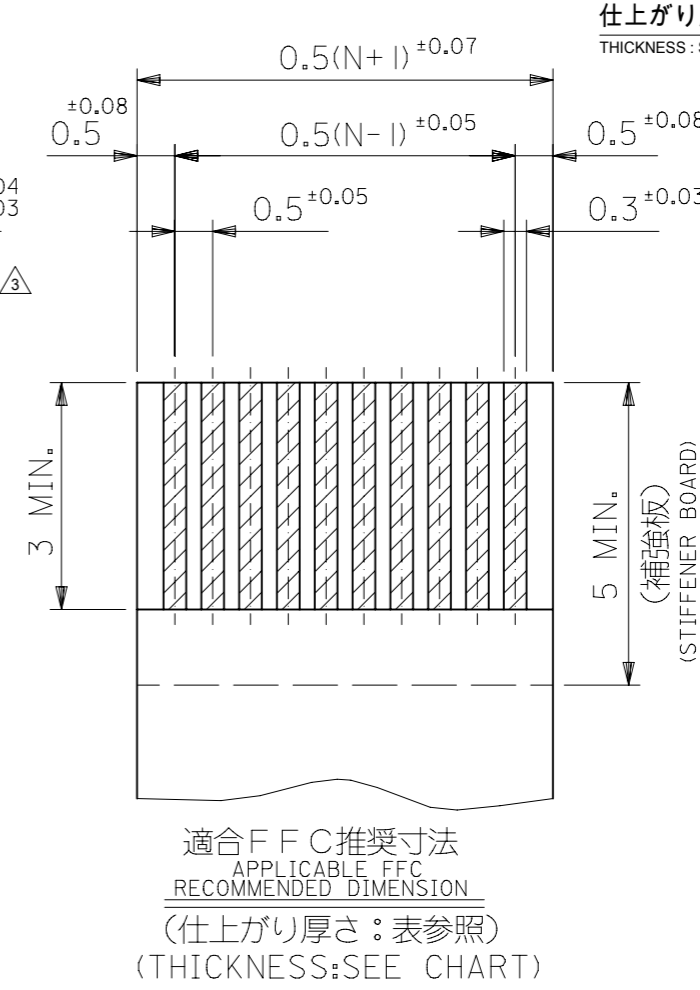
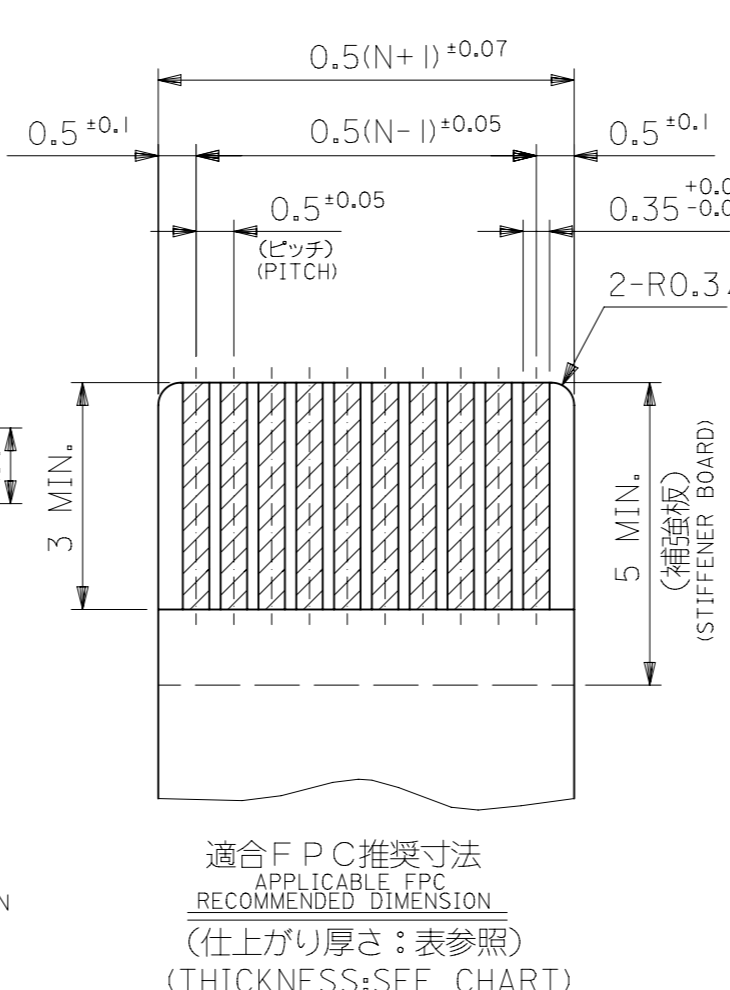
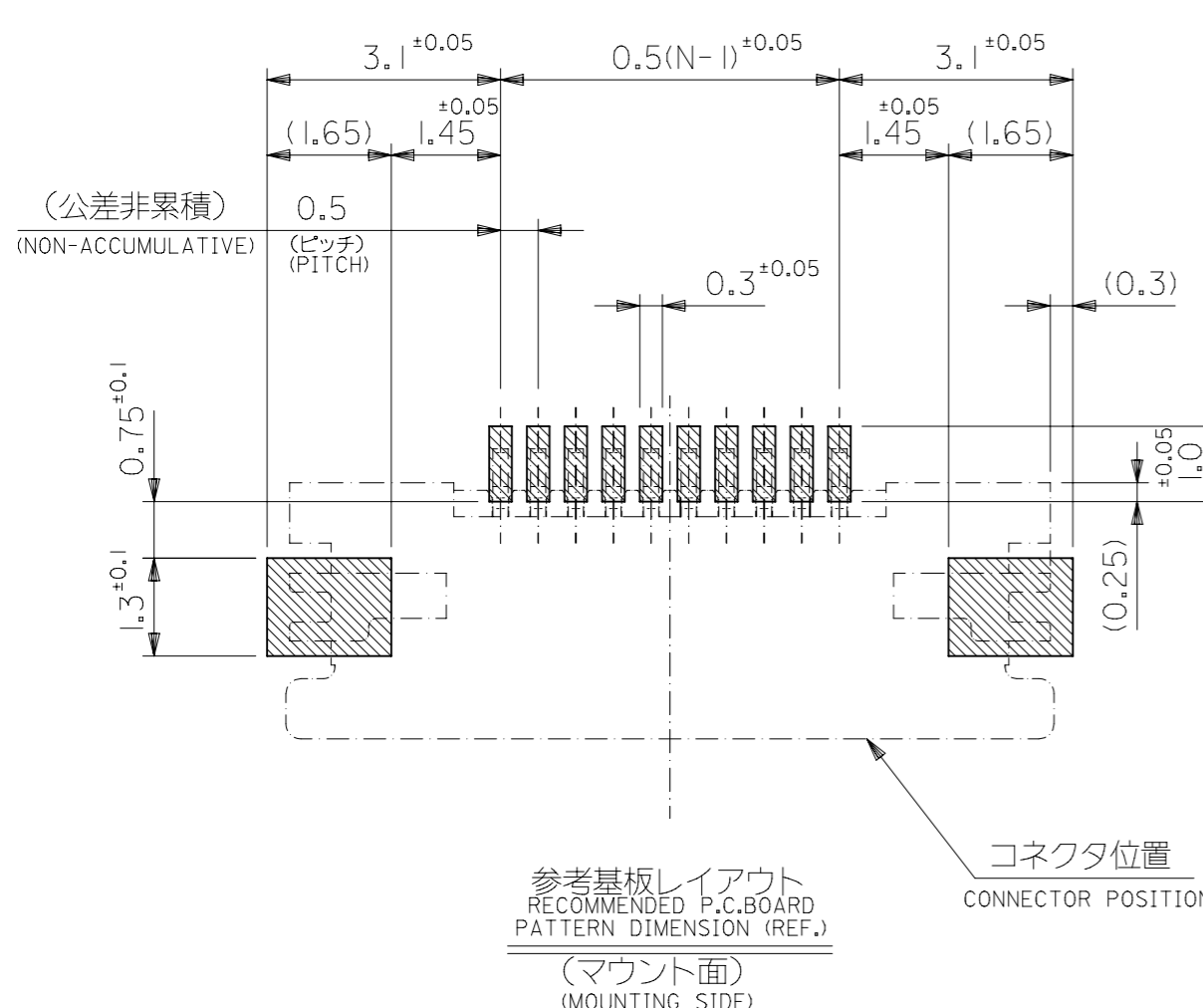
54548-**22 MODEL NO.

molex

0.5 FPC CONN ZIF HSG ASSY FOR SMT RA BTM CONT

PRODUCT CUSTOMER DRAWING

DOCUMENT NUMBER: SD-54548-043 DOC TYPE: PSD DOC PART: 001 REVISION: A



注記 NOTES

1. 使用材料 MATERIAL
- ハウジング : 液晶ポリマー (LCP)、ナチュラル(白色)、ガラス充填、UL94V-0
HOUSING LIQUID CRYSTAL POLYMER, NATURAL (WHITE), GLASS FILLED, UL-94V0
- アクチュエータ : ポリフェニレンサルファイド(PPS)、黒色ガラス充填、UL94V-0
ACTUATOR POLYPHENYLENE SULFIDE, BLACK, GLASS FILLED, UL-94V0
- ターミナル : リン青銅 (t=0.2)
TERMINAL PHOSPHOR BRONZE (t=0.2)
- 金具 : リン青銅 (t=0.2)、
FITTING NAIL PHOSPHOR BRONZE (t=0.2)
2. めっき仕様 PLATING
- ターミナル TERMINAL
- 錫銀ビスマスマッキ (1.0µm以上)
下地: ニッケルメッキ (1.0µm以上)
TIN SILVER BISMUTH PLATING (1.0 MICROMETER MINIMUM)
UNDER PLATE: NICKEL PLATING (1.0 MICROMETER MINIMUM)
- 金具 FITTING NAIL
- 錫メッキ (1.0µm以上)
下地: ニッケルメッキ (1.0µm以上)
TIN PLATING
TIN PLATING (1.0 MICROMETER MINIMUM)
UNDER PLATE: NICKEL PLATING (1.0 MICROMETER MINIMUM)
- △ R0.3はFPCの導体部にかからないこと
R0.3 MUST NOT BE OVERLAPED TO PATTERN OF FPC.
4. エンボステープ梱包時は、アクチュエータがロックした状態とする。
IN THE PACKAGE, ACTUATOR OF PART NO.54548-**22 SHOULD BE LOCKED.

- △ ソルダーテール半田付け面のズレ量、及び金具半田付け面のズレ量は、基準面 Z に対し上方向 0 MAX.、下方向 0.15 MAX. とし、相互のパラッキ量は 0.1 MAX. とする。
MISALIGNMENT OF SOLDER TAILS AND FITTING NAILS FROM UPPER DIRECTION: 0 MAX., LOWER DIRECTION: 0.15 MAX. OFFSET BETWEEN UPPER AND LOWER 0.1 MAX.
- △ 偶数極に適用。
APPLY FOR EVEN CIRCUIT.
- △ パターンはくり止め用金具
FITTING NAIL FOR PREVENTION OF PEELING OF P.C.B. PATTERN.
8. ELV及びRoHS適合品
ELV AND RoHS COMPLIANT

FPC/FFCについて ABOUT FPC/FFC

打ち抜き方向は導体側から補強板側を推奨します。
導体部については軟箔銅35µmまたは50µmを推奨します。
RECOMMENDED PUNCHING DIRECTION: FROM CONDUCTOR SIDE TO STIFFENER SIDE
RECOMMENDED CONDUCTOR SPEC: SOFT COPPER FOIL
RECOMMENDED CONDUCTOR THICKNESS: 35 MICROMETER OR 50 MICROMETER

FPCについて ABOUT FPC

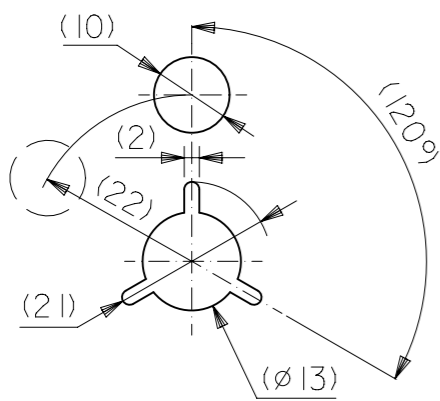
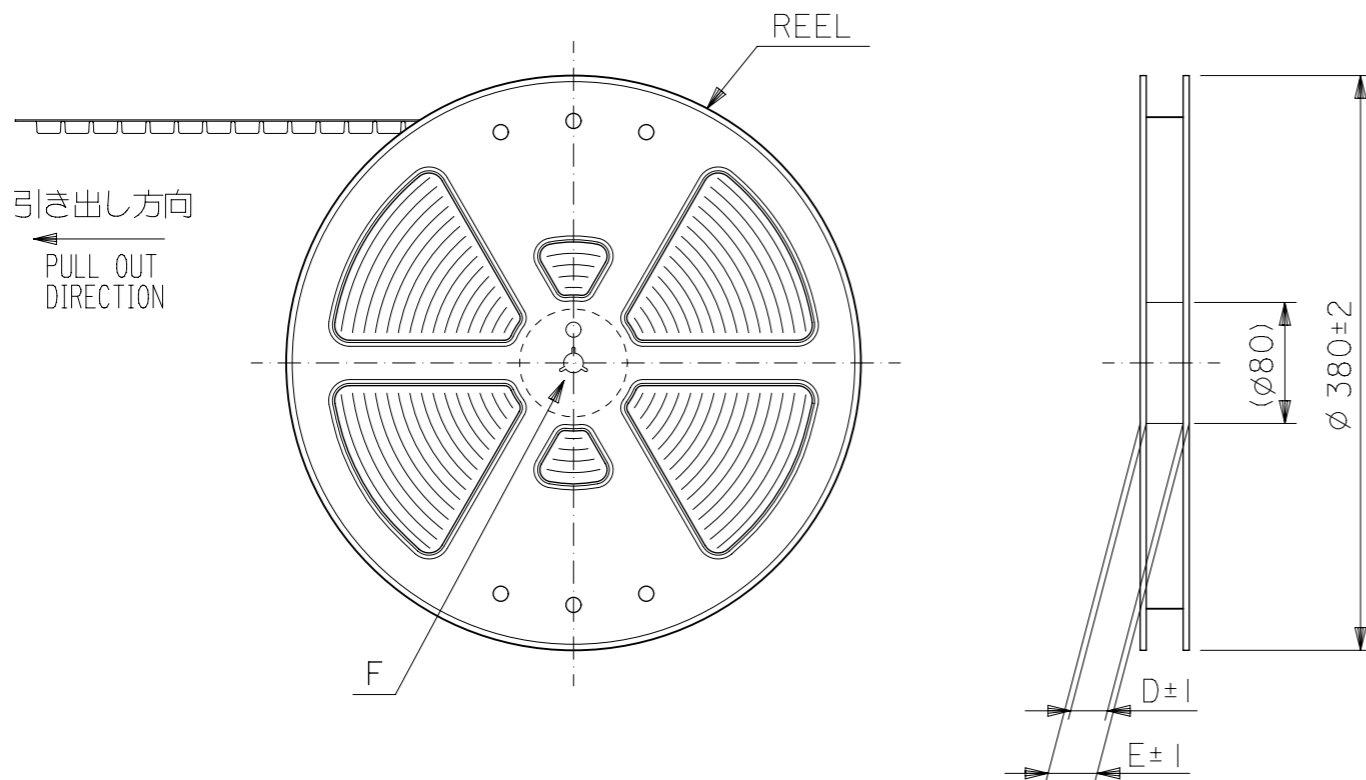
補強フィルム材質はポリイミドを推奨します。ベースフィルムは25µmを推奨します。
接着剤は熱硬化接着剤を推奨します。
尚、接着剤の接点部への付着は導通不良の原因になりますので、染み出しが無い様、お願い致します。
RECOMMENDED STIFFENER MATERIAL: POLYIMIDE
RECOMMENDED BASE FILM THICKNESS: 25 MICROMETER
RECOMMENDED ADHESIVE: THERMOSETTING ADHESIVE
NOTE: PLEASE PUT APPROPRIATE AMOUNT OF ADHESIVE ON ADHEREND BECAUSE THERE IS A POSSIBILITY THAT THE EXTRA ADHESIVE CAUSES THE DEFECT IN ELECTRICAL CONTINUITY.

FPC構成推奨仕様
STRUCTURE OF FPC

54548-**22 MODEL No.

THIS DRAWING CONTAINS INFORMATION THAT IS PROPRIETARY TO MOLEX ELECTRONIC TECHNOLOGIES, LLC AND SHOULD NOT BE USED WITHOUT WRITTEN PERMISSION		CURRENT REV DESC: OBSOLETE PART NUMBER	
DIMENSION UNITS	SCALE	EC NO: 636343	
mm	1:1	DRWN: AKUMAR19	2020/04/14
GENERAL TOLERANCES (UNLESS SPECIFIED)		CHK'D: GGA	2020/07/10
		APPR: GGA	2020/07/10
		INITIAL REVISION:	
		DRWN: JASANUMA	2013/12/04
		APPR: YNOGAWA	2014/01/10
		DRAFT WHERE APPLICABLE MUST REMAIN WITHIN DIMENSIONS	
		THIRD ANGLE PROJECTION	
		DRAWING	SERIES
		A3-SIZE	54548
		MATERIAL NUMBER	CUSTOMER
		SEE TABLE	GENERAL MARKET
		SHEET NUMBER	2 OF 2

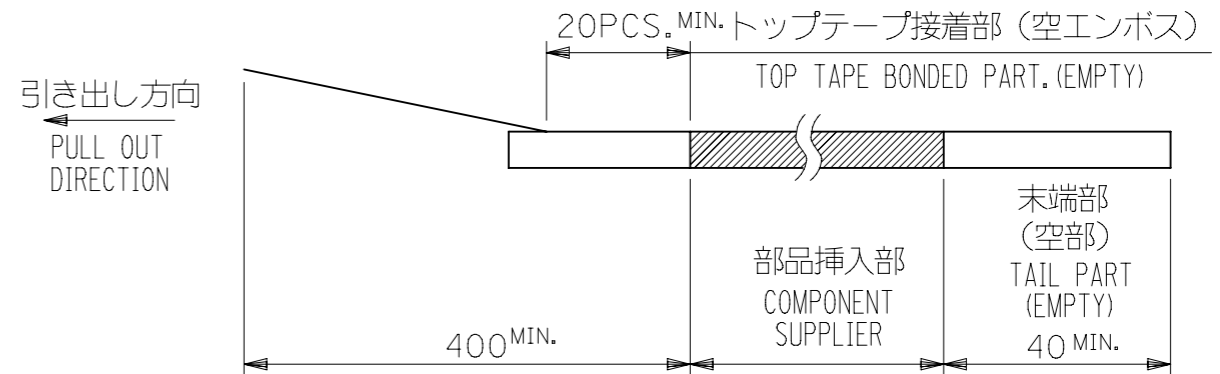
GENERAL TOLERANCES (UNLESS SPECIFIED)	
10 ^{UNDER}	±0.2
10 ^{OVER} 30 ^{UNDER}	±0.25
30 ^{OVER}	±0.3



DETAIL F

NOTES

- 製品詳細寸法については図面 SD-54548-043 を参照下さい。
RE DETAILED DIMENSION, SEE SD-54548-043
- 梱包数量：3000個/リール
NUMBER OF CONNECTORS : 3000PCS/REEL
- リードテープ長さ LEAD TAPE LENGTH



- カバーテープの剥離強度については、IEC60286-3に準拠。
COVER TAPE PEEL FORCE IS DEFINED BY IEC60286-3.
- 材料(MATERIAL)
キャリアテープ(CARRIER TAPE)：ポリプロピレン(POLYPROPYLENE)
トップテープ(TOPTAPE)：PET, PE, PEF
リール(REEL)：ポリスチレン(PS) <リサイクル材を含む>
POLYSTYREN(PS) <RECYCLE MATERIAL CONTAINED>
- ELV及びRoHS適合品。
ELV AND RoHS COMPLIANT.

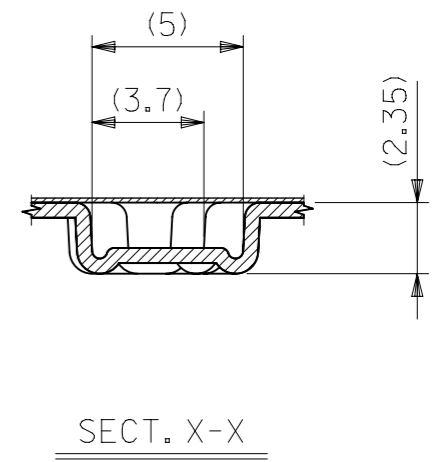
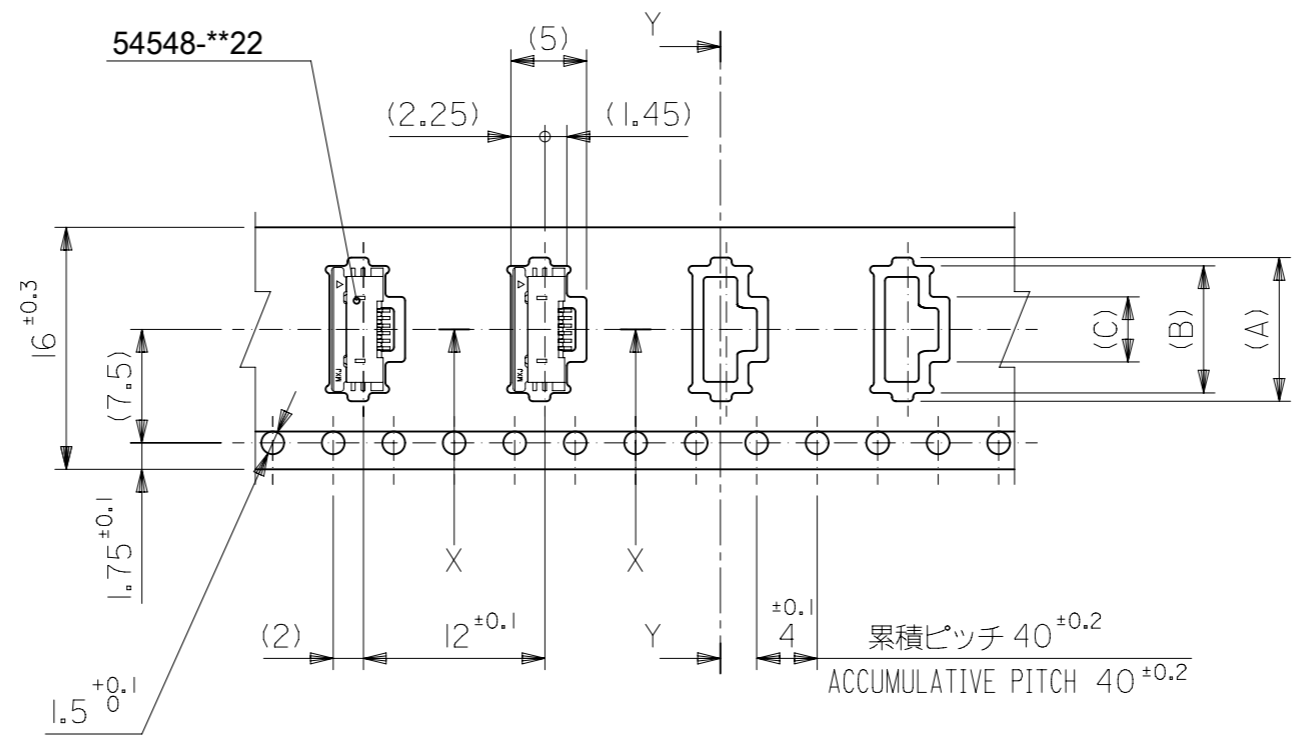
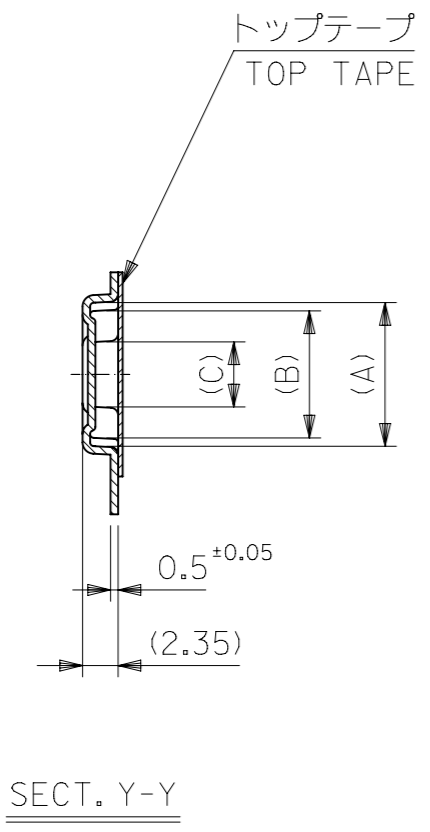
54548-**33

MODEL NO.

THIS DRAWING CONTAINS INFORMATION THAT IS PROPRIETARY TO MOLEX ELECTRONIC TECHNOLOGIES, LLC AND SHOULD NOT BE USED WITHOUT WRITTEN PERMISSION		CURRENT REV DESC: OBSOLETE PART NUMBER		molex	
DIMENSION UNITS		SCALE			
mm		1:1		EMBSTP PKG FOR 0.5 FPC CONN ZIF HSG ASSY	
GENERAL TOLERANCES (UNLESS SPECIFIED)		GENERAL TOLERANCES (UNLESS SPECIFIED)		PRODUCT CUSTOMER DRAWING	
		MM INCH		DOCUMENT NUMBER	
4 PLACES ±		±		SD-54548-044	
3 PLACES ±		±		DOC TYPE	
2 PLACES ±		±		PSD	
1 PLACE ±		±		DOC PART	
0 PLACES ±		±		001	
ANGULAR TOL ± 3.0°		THIRD ANGLE PROJECTION		REVISION	
DRAFT WHERE APPLICABLE MUST REMAIN WITHIN DIMENSIONS		DRAWING		A	
10 ^{UNDER}		A3-SIZE		SHEET NUMBER	
10 ^{OVER} 30 ^{UNDER}		54548		1 OF 3	
30 ^{OVER}		SERIES		CUSTOMER	
		GENERAL MARKET			

GENERAL TOLERANCES (UNLESS SPECIFIED)	
10 ^{UNDER}	±0.2
10 ^{OVER} 30 ^{UNDER}	±0.25
30 ^{OVER}	±0.3

引き出し方向
PULL OUT DIRECTION

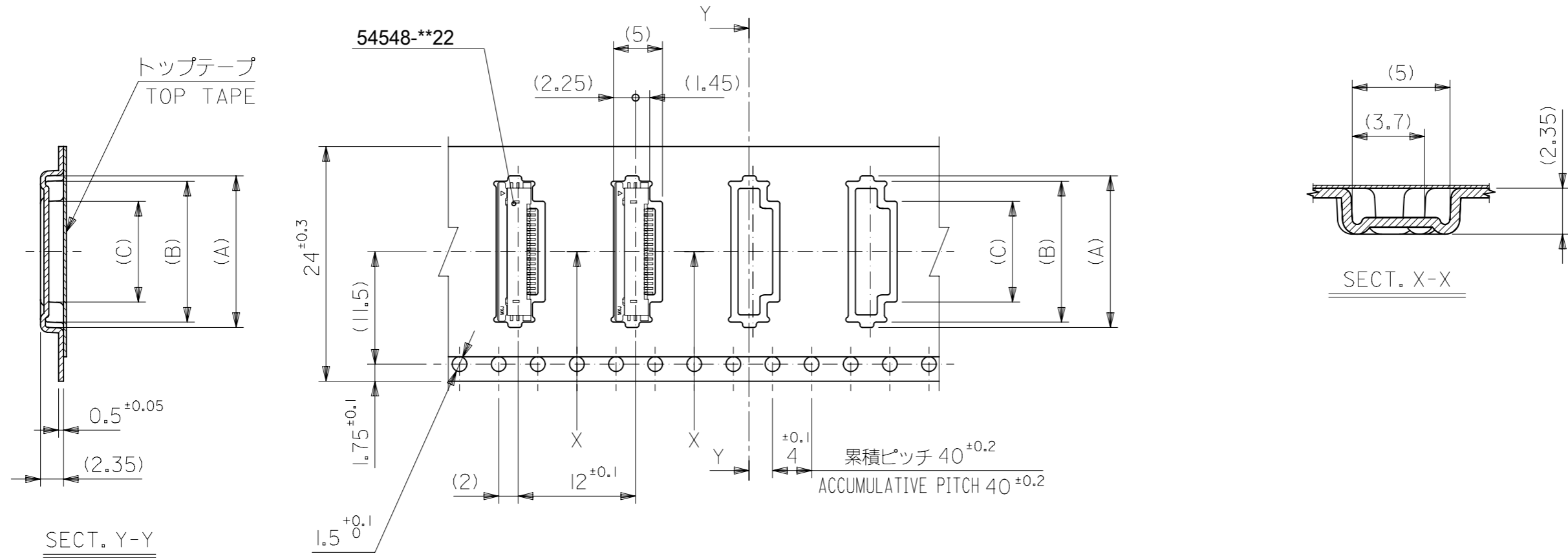


16mm幅キャリアテープ
16mm WIDTH CARRIER TAPE

16	21.4	17.4	4.3	8.4	9.5	54548-0633	6
			3.8	7.9	9	54548-0533	5
			3.3	7.4	8.5	54548-0433	4
キャリアテープ幅 CARRIER TAPE WIDTH	E	D	(C)	(B)	(A)	製品番号 MATERIAL No.	極数 CIRCUIT
						54548-**33	MODEL NO.

THIS DRAWING CONTAINS INFORMATION THAT IS PROPRIETARY TO MOLEX ELECTRONIC TECHNOLOGIES, LLC AND SHOULD NOT BE USED WITHOUT WRITTEN PERMISSION		CURRENT REV DESC: OBSOLETE PART NUMBER		molex	
GENERAL TOLERANCES (UNLESS SPECIFIED)		EC NO: 636343			
10 ^{UNDER}		±0.2		PRODUCT CUSTOMER DRAWING	
10 ^{OVER} 30 ^{UNDER}		±0.25		DOCUMENT NUMBER	
30 ^{OVER}		±0.3		SD-54548-044	
		ANGULAR TOL ± 3.0°		DOC TYPE	
		DRAFT WHERE APPLICABLE MUST REMAIN WITHIN DIMENSIONS		PSD	
		THIRD ANGLE PROJECTION		DOC PART	
		DRAWING		001	
		SERIES		REVISION	
		A3-SIZE		A	
		MATERIAL NUMBER		SHEET NUMBER	
		54548		2 OF 3	
		CUSTOMER			
		GENERAL MARKET			

引き出し方向
PULL OUT DIRECTION



24mm幅キャリアテープ
24mm WIDTH CARRIER TAPE

24	29.4	25.4	11.3	15.4	16.5	54548-2033	20
			8.3	12.4	13.5	54548-1433	14
			7.8	11.9	13	54548-1333	13
			7.3	11.4	12.5	54548-1233	12
			6.3	10.4	11.5	54548-1033	10
			5.3	9.4	10.5	54548-0833	8
			4.8	8.9	10	54548-0733	7
キャリアテープ幅 CARRIER TAPE WIDTH	E	D	(C)	(B)	(A)	製品番号 MATERIAL No.	極数 CIRCUIT

54548-**33 MODEL NO.

THIS DRAWING CONTAINS INFORMATION THAT IS PROPRIETARY TO MOLEX ELECTRONIC TECHNOLOGIES, LLC AND SHOULD NOT BE USED WITHOUT WRITTEN PERMISSION

SCALE: 2:1

GENERAL TOLERANCES (UNLESS SPECIFIED)

DIMENSION UNITS	SCALE
mm	2:1
GENERAL TOLERANCES (UNLESS SPECIFIED)	
	MM INCH
4 PLACES	±
3 PLACES	±
2 PLACES	±
1 PLACE	±
0 PLACES	±

ANGULAR TOL ± 3.0°

DRAFT WHERE APPLICABLE MUST REMAIN WITHIN DIMENSIONS

THIRD ANGLE PROJECTION

DRAWING A3-SIZE

SERIES 54548

MATERIAL NUMBER SEE TABLE

CUSTOMER GENERAL MARKET

SHEET NUMBER 3 OF 3

EC NO: 636343
DRWN: AKUMAR19 2020/04/15
CHK'D: GGA 2020/07/10
APPR: GGA 2020/07/10

INITIAL REVISION:
DRWN: JASANUMA 2013/12/04
APPR: YNOGAWA 2014/01/10

DOCUMENT NUMBER SD-54548-044

DOC TYPE PSD

DOC PART 001

REVISION A

PRODUCT CUSTOMER DRAWING

EMBSTP PKG FOR 0.5 FPC CONN ZIF HSG ASSY

GENERAL TOLERANCES (UNLESS SPECIFIED)

10 ^{UNDER}	±0.2
10 ^{OVER} 30 ^{UNDER}	±0.25
30 ^{OVER}	±0.3