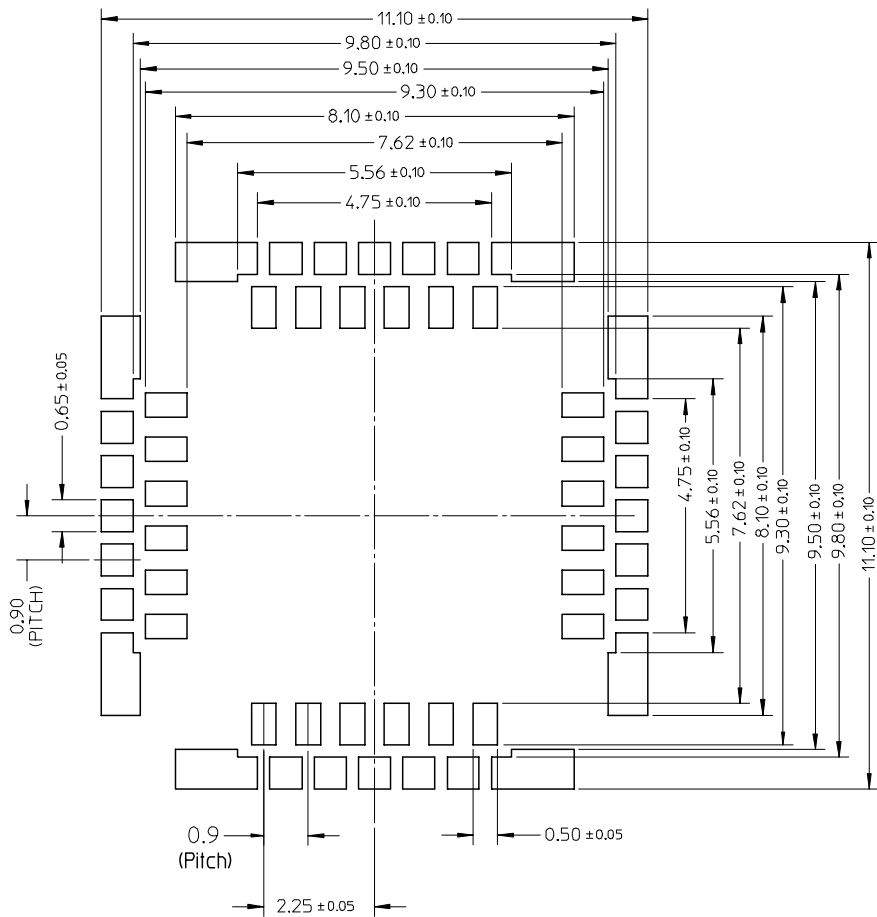


SECTION X-X

- NOTES:
- MATERIALS
HOUSING: POLYAMIDE, BLACK, UL94 V-0
TERMINAL: COPPER ALLOY.
SHELL: COPPER ALLOY.
TOP SHIELD: STAINLESS STEEL
 - FINISH
TERMINAL: 2-4 MICROMETER NICKEL UNDERPLATING OVERALL,
GOLD PLATING 0.3 MICROMETER ON CONTACT AREA,
GOLD FLASH PLATING ON SOLDER AREA.
SHELL: 2-4 MICROMETER NICKEL UNDERPLATING OVERALL,
GOLD FLASH PLATING ON SOLDER AREA.
 - PRODUCT SPECIFICATION: PS-47337-001
 - PAKAGING: TAPE&REEL
 - COPLANALITY TO BE 0.10MM MAX.
 - APPLICABLE TOP COVER 473370005.
 - APPLICABLE CAMERA MODULE SEE SHEET 3.
 - THE DRAWING EDITION 9 WILL MEET TOM LU'S DRAWING EDITON S6

SECTION Z-Z

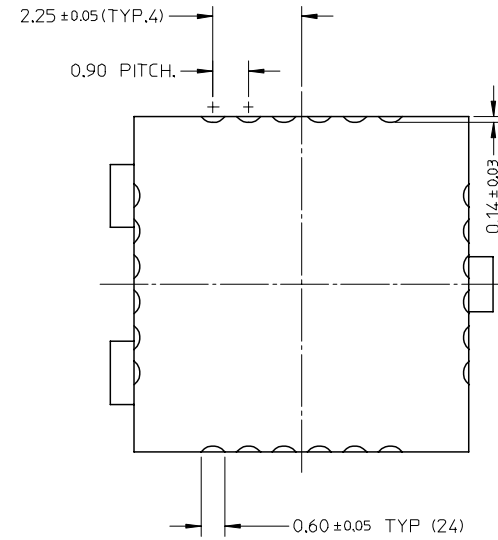
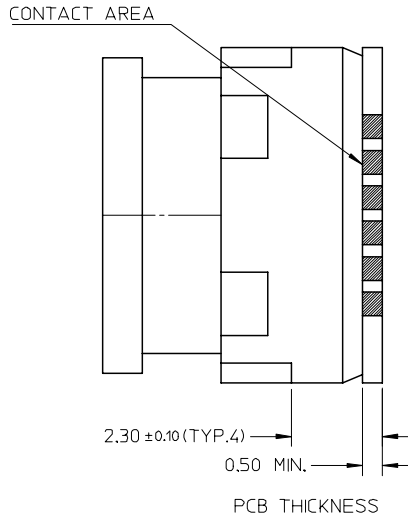
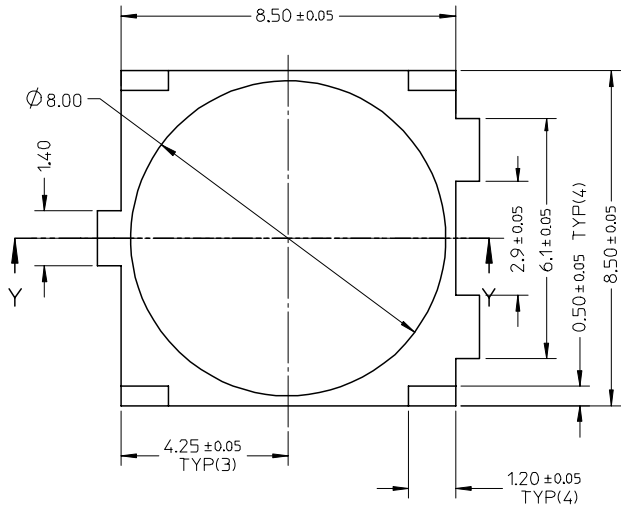
RELEASE EC NO: 2006/06/16 DRWN: IHE 2006/06/23 CHKD: XIXU 2006/06/26 APPR: JNCHEN 2006/06/26	QUALITY SYMBOLS	GENERAL TOLERANCES (UNLESS SPECIFIED)	DIMENSION STYLE	SCALE	DESIGN UNITS	THIRD ANGLE PROJECTION																		
	$\nabla = 12$ $\sphericalangle = 0$	<table border="1"> <thead> <tr> <th></th> <th>mm</th> <th>INCH</th> </tr> </thead> <tbody> <tr> <td>4 PLACES</td> <td>± ---</td> <td>± ---</td> </tr> <tr> <td>3 PLACES</td> <td>± ---</td> <td>± ---</td> </tr> <tr> <td>2 PLACES</td> <td>± 0.10</td> <td>± ---</td> </tr> <tr> <td>1 PLACE</td> <td>± 0.15</td> <td>± ---</td> </tr> <tr> <td colspan="3">ANGULAR ± 1 °</td> </tr> </tbody> </table>		mm	INCH	4 PLACES	± ---	± ---	3 PLACES	± ---	± ---	2 PLACES	± 0.10	± ---	1 PLACE	± 0.15	± ---	ANGULAR ± 1 °			MM ONLY	8:1	METRIC	
		mm	INCH																					
	4 PLACES	± ---	± ---																					
3 PLACES	± ---	± ---																						
2 PLACES	± 0.10	± ---																						
1 PLACE	± 0.15	± ---																						
ANGULAR ± 1 °																								
DRAFT WHERE APPLICABLE MUST REMAIN WITHIN DIMENSIONS	DRAWN BY DATE IVAN HE 2006/06/16 CHECKED BY DATE XIXU 2006/06/16 APPROVED BY DATE JENNY CHEN 2006/06/16 MATERIAL NO. 473370001	TITLE 8.5*8.5 CAMERA SOCKET SMT.SIDE CONTACT TYPE TOP MOUNT MOLEX INCORPORATED	SHEET NO. 1 OF 3																					
REV			THIS DRAWING CONTAINS INFORMATION THAT IS PROPRIETARY TO MOLEX INCORPORATED AND SHOULD NOT BE USED WITHOUT WRITTEN PERMISSION																					



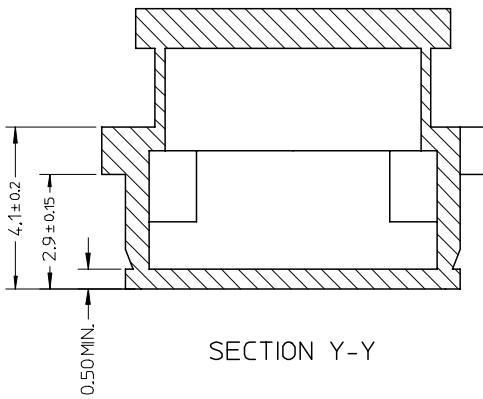
RECOMMENDED PCB LAYOUT

RELEASE EC NO: DRWN: IHE CHKD: XIXU APPR: JNCHEN 2006/06/16 2006/06/23 2006/06/26	DESCRIPTION REV	QUALITY SYMBOLS ▽=0 ◻=0	GENERAL TOLERANCES (UNLESS SPECIFIED)		DIMENSION STYLE MM ONLY		SCALE 10:1	DESIGN UNITS METRIC	THIRD ANGLE PROJECTION		
			4 PLACES ± --- ± --- 3 PLACES ± --- ± --- 2 PLACES ± 0.10 ± --- 1 PLACE ± 0.15 ± ---	mm INCH ± --- ± --- ± 0.10 ± --- ± 0.15 ± ---	DRAWN BY IVAN HE	DATE 2006/06/16	TITLE 8.5*8.5 CAMERA SOCKET SMT.SIDE CONTACT TYPE TOP MOUNT				
			ANGULAR ± 1		CHECKED BY XIXU	DATE 2006/06/16	MOLEX INCORPORATED				
			DRAFT WHERE APPLICABLE MUST REMAIN WITHIN DIMENSIONS		APPROVED BY JENNY CHEN	DATE 2006/06/16	MATERIAL NO. 47337-0001	DOCUMENT NO. SD-47337-001	SHEET NO. 2 OF 3		

APPLIED CAMERA MODULE



FOR PCB (PTH)



SECTION Y-Y

RELEASE EC NO: 2006/06/16 DRWN: IHE 2006/06/23 CHKD: XIXU 2006/06/23 APPR: JNCHEN 2006/06/26	QUALITY SYMBOLS ▽=0 ▽C=0	GENERAL TOLERANCES (UNLESS SPECIFIED) <table border="1"> <thead> <tr> <th></th> <th>mm</th> <th>INCH</th> </tr> </thead> <tbody> <tr> <td>4 PLACES</td> <td>± ---</td> <td>± ---</td> </tr> <tr> <td>3 PLACES</td> <td>± ---</td> <td>± ---</td> </tr> <tr> <td>2 PLACES</td> <td>± 0.10</td> <td>± ---</td> </tr> <tr> <td>1 PLACE</td> <td>± 0.15</td> <td>± ---</td> </tr> </tbody> </table> ANGULAR ± 1 °		mm	INCH	4 PLACES	± ---	± ---	3 PLACES	± ---	± ---	2 PLACES	± 0.10	± ---	1 PLACE	± 0.15	± ---	DIMENSION STYLE MM ONLY	SCALE 8:1	DESIGN UNITS METRIC	THIRD ANGLE PROJECTION
		mm	INCH																		
	4 PLACES	± ---	± ---																		
	3 PLACES	± ---	± ---																		
2 PLACES	± 0.10	± ---																			
1 PLACE	± 0.15	± ---																			
DRAWN BY IVAN HE	DATE 2006/06/16	TITLE 8.5*8.5 CAMERA SOCKET SMT.SIDE CONTACT TYPE TOP MOUNT																			
CHECKED BY XIXU	DATE 2006/06/16	MOLEX INCORPORATED																			
APPROVED BY JENNY CHEN	DATE 2006/06/16	MATERIAL NO. 47337-0001	DOCUMENT NO. SD-47337-001	SHEET NO. 3 OF 3																	

DRAFT WHERE APPLICABLE
MUST REMAIN
WITHIN DIMENSIONS

THIS DRAWING CONTAINS INFORMATION THAT IS PROPRIETARY TO MOLEX INCORPORATED AND SHOULD NOT BE USED WITHOUT WRITTEN PERMISSION