

6

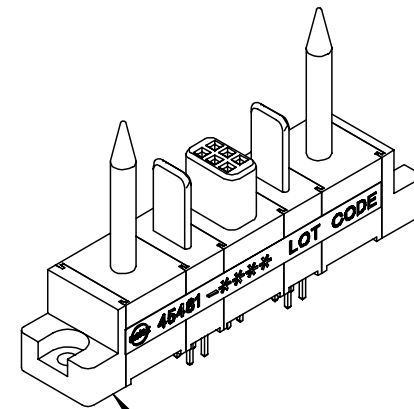
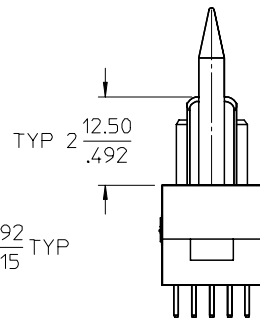
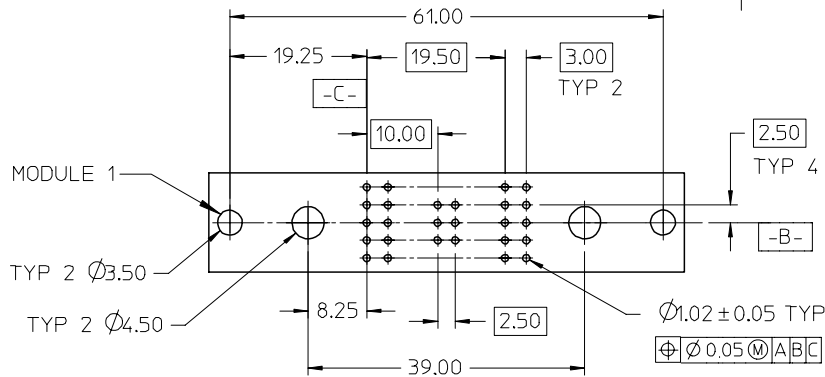
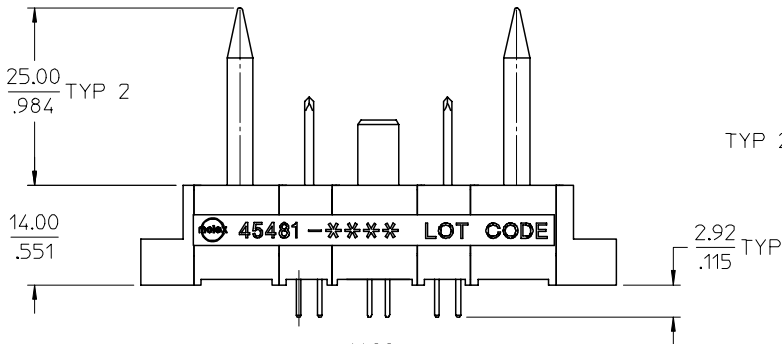
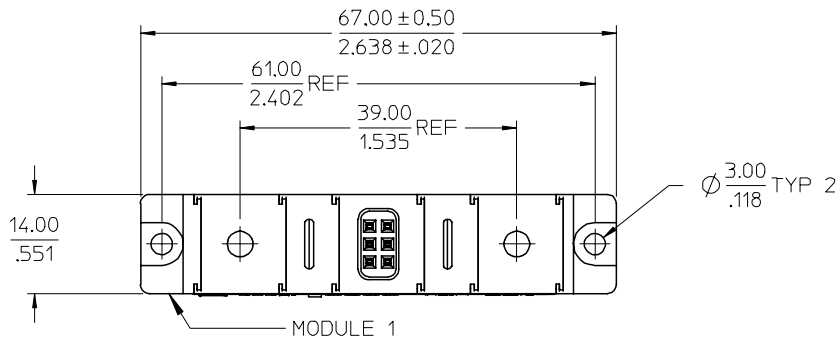
5

4

3

2

1



NOTES:

- MATERIAL: LCP, GLASS FILLED, UL94V-0, BLACK.  
CONTACTS: COPPER ALLOY
- FINISH: SELECT GOLD: 30 MI MIN.  
SELECT TIN: 100 MI MIN.  
BOTH OVER NICKEL.
- PRODUCT SPECIFICATION: PS-45424-001.
- PACKAGING SPECIFICATION: PK-45481-001.

PCB LAYOUT: COMPONENT SIDE  
PCB THICKNESS: 1.571.062  
PCB TOLERANCE: ±0.05/.002

ADDED STANDOFFS	DESCRIPTION
EC NO: UCP2006-0519	
DRWN: ADRTNOL 2005/09/12	
CHKD: KSAMIEC 2005/09/15	
APPR: APATEL 2005/09/15	
B	REV

GENERAL TOLERANCES (UNLESS SPECIFIED)

	mm	INCH
4 PLACES	± ---	± ---
3 PLACES	± ---	± .010
2 PLACES	± 0.25	± .015
1 PLACE	± 0.38	± ---

ANGULAR ±1/2°

DRAFT WHERE APPLICABLE MUST REMAIN WITHIN DIMENSIONS

PD 500	PD 503	PD 102	PD 313	PD 102	PD 503	PD 501
--------	--------	--------	--------	--------	--------	--------

DIMENSION STYLE	SCALE	DESIGN UNITS	THIRD ANGLE PROJECTION
MM/IN	1:1	METRIC	

DRAWN BY	DATE
DRATNOL	2005/05/05
CHECKED BY	DATE
SAMIEC	2005/05/05
APPROVED BY	DATE
MARGULIS	2005/05/05

TITLE: POWER DOCK ASSEMBLY  
POWER VERTICAL  
SOLDER TAILS

MOLEX INCORPORATED

MATERIAL NO.	DOCUMENT NO.	SHEET NO.
45481-0173	SD-45481-173	1 OF 1

THIS DRAWING CONTAINS INFORMATION THAT IS PROPRIETARY TO MOLEX INCORPORATED AND SHOULD NOT BE USED WITHOUT WRITTEN PERMISSION

5

4

3

2

1