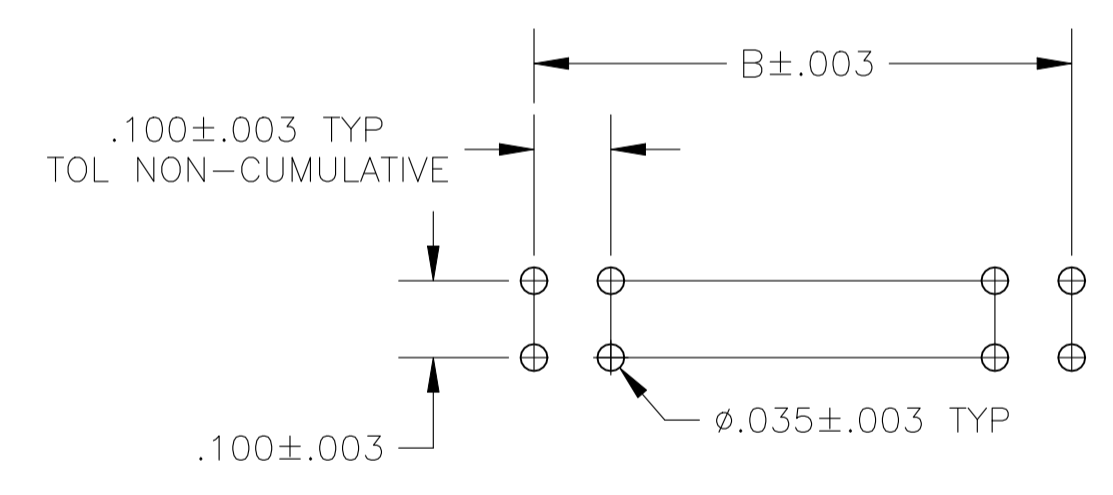
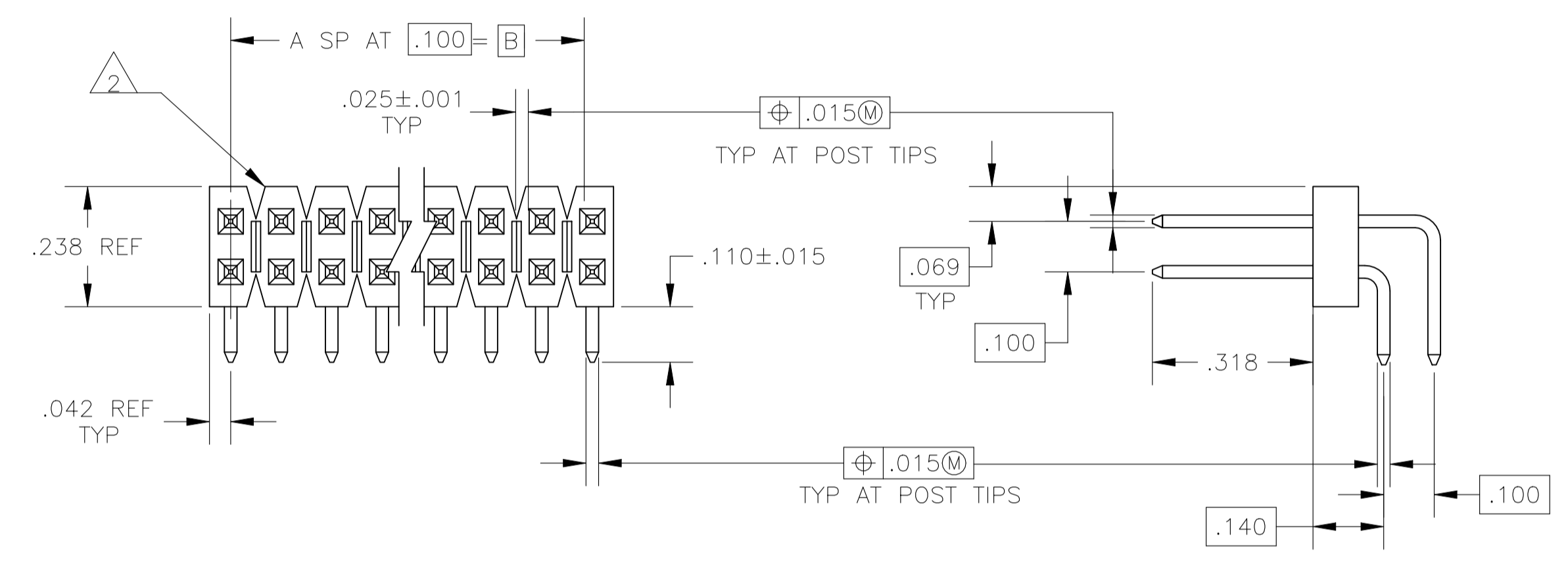
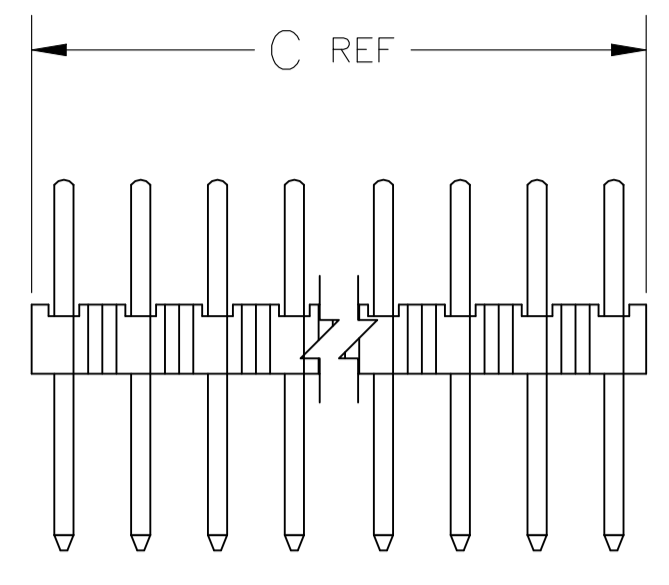


REVISIONS					
P	LTR	DESCRIPTION	DATE	DWN	APVD
J1		REVISED PER ECN-22-153447	12MAY2022	RK	MF



RECOMMENDED HOLE LAYOUT

- 1 ASSEMBLY MAY BE BROKEN TO THE DESIRED NUMBER OF POSITIONS.
- 2 BREAKAWAY NOTCH ANGLE CAN BE ORIENTED TO THE RIGHT (AS SHOWN) OR TO THE LEFT
- 3 .000100-.000200 MATTE TIN-LEAD OVER .000050 NICKEL.
- 4 .000100-.000200 MATTE TIN OVER .000050 NICKEL.
- 5 HIGH TEMPERATURE CONFIGURATION
- 6 OBSOLETE PARTS: OBSOLETE CIS STREAMLINING PER D.RENAUD/D.SINISI

5	4	3.984	3.900	39	80	9-103324-0
5	4	3.884	3.800	38	78	8-103324-9
5	4	3.784	3.700	37	76	8-103324-8
5	4	3.684	3.600	36	74	8-103324-7
5	4	3.584	3.500	35	72	8-103324-6
5	4	3.484	3.400	34	70	8-103324-5
5	4	3.384	3.300	33	68	8-103324-4
5	4	3.284	3.200	32	66	8-103324-3
5	4	3.184	3.100	31	64	8-103324-2
5	4	3.084	3.000	30	62	8-103324-1
5	4	2.984	2.900	29	60	8-103324-0
5	4	2.884	2.800	28	58	7-103324-9
5	4	2.784	2.700	27	56	7-103324-8
5	4	2.684	2.600	26	54	7-103324-7
5	4	2.584	2.500	25	52	7-103324-6
5	4	2.484	2.400	24	50	7-103324-5
5	4	2.384	2.300	23	48	7-103324-4
5	4	2.284	2.200	22	46	7-103324-3
5	4	2.184	2.100	21	44	7-103324-2
5	4	2.084	2.000	20	42	7-103324-1
5	4	1.984	1.900	19	40	7-103324-0
5	4	1.884	1.800	18	38	6-103324-9
5	4	1.784	1.700	17	36	6-103324-8
5	4	1.684	1.600	16	34	6-103324-7
5	4	1.584	1.500	15	32	6-103324-6
5	4	1.484	1.400	14	30	6-103324-5
5	4	1.384	1.300	13	28	6-103324-4
5	4	1.284	1.200	12	26	6-103324-3
5	4	1.184	1.100	11	24	6-103324-2
5	4	1.084	1.000	10	22	6-103324-1
5	4	.984	.900	9	20	6-103324-0
5	4	.884	.800	8	18	5-103324-9
5	4	.784	.700	7	16	5-103324-8
5	4	.684	.600	6	14	5-103324-7
5	4	.584	.500	5	12	5-103324-6
5	4	.484	.400	4	10	5-103324-5
5	4	.384	.300	3	8	5-103324-4
5	4	.284	.200	2	6	5-103324-3
5	4	.184	.100	1	4	5-103324-2
5	4	.084	—	—	2	5-103324-1

REMARKS	PLATING	C	B	A	NO OF POSN	PART NUMBER
---------	---------	---	---	---	------------	-------------

6	3	OBSOLETE	3	3.984	3.900	39	80	4-103324-0
6	3	OBSOLETE	3	3.884	3.800	38	78	3-103324-9
6	3	OBSOLETE	3	3.784	3.700	37	76	3-103324-8
6	3	OBSOLETE	3	3.684	3.600	36	74	3-103324-7
6	3	SUPERSEDED BY 8-103324-6	3	3.584	3.500	35	72	3-103324-6
6	3	OBSOLETE	3	3.484	3.400	34	70	3-103324-5
6	3	OBSOLETE	3	3.384	3.300	33	68	3-103324-4
6	3	OBSOLETE	3	3.284	3.200	32	66	3-103324-3
6	3	OBSOLETE	3	3.184	3.100	31	64	3-103324-2
6	3	OBSOLETE	3	3.084	3.000	30	62	3-103324-1
6	3	OBSOLETE	3	2.984	2.900	29	60	3-103324-0
6	3	OBSOLETE	3	2.884	2.800	28	58	2-103324-9
6	3	OBSOLETE	3	2.784	2.700	27	56	2-103324-8
6	3	OBSOLETE	3	2.684	2.600	26	54	2-103324-7
6	3	OBSOLETE	3	2.584	2.500	25	52	2-103324-6
6	3	OBSOLETE	3	2.484	2.400	24	50	2-103324-5
6	3	OBSOLETE	3	2.384	2.300	23	48	2-103324-4
6	3	OBSOLETE	3	2.284	2.200	22	46	2-103324-3
6	3	OBSOLETE	3	2.184	2.100	21	44	2-103324-2
6	3	OBSOLETE	3	2.084	2.000	20	42	2-103324-1
6	3	OBSOLETE	3	1.984	1.900	19	40	2-103324-0
6	3	OBSOLETE	3	1.884	1.800	18	38	1-103324-9
6	3	OBSOLETE	3	1.784	1.700	17	36	1-103324-8
6	3	OBSOLETE	3	1.684	1.600	16	34	1-103324-7
6	3	OBSOLETE	3	1.584	1.500	15	32	1-103324-6
6	3	OBSOLETE	3	1.484	1.400	14	30	1-103324-5
6	3	OBSOLETE	3	1.384	1.300	13	28	1-103324-4
6	3	OBSOLETE	3	1.284	1.200	12	26	1-103324-3
6	3	OBSOLETE	3	1.184	1.100	11	24	1-103324-2
6	3	OBSOLETE	3	1.084	1.000	10	22	1-103324-1
6	3	OBSOLETE	3	.984	.900	9	20	1-103324-0
6	3	OBSOLETE	3	.884	.800	8	18	103324-9
6	3	OBSOLETE	3	.784	.700	7	16	103324-8
6	3	OBSOLETE	3	.684	.600	6	14	103324-7
6	3	OBSOLETE	3	.584	.500	5	12	103324-6
6	3	SUPERSEDED BY 5-103324-5	3	.484	.400	4	10	103324-5
6	3	OBSOLETE	3	.384	.300	3	8	103324-4
6	3	OBSOLETE	3	.284	.200	2	6	103324-3
6	3	OBSOLETE	3	.184	.100	1	4	103324-2
6	3	OBSOLETE	3	.084	—	—	2	103324-1

PLATING	C	B	A	NO OF POSN	PART NUMBER
---------	---	---	---	------------	-------------

THIS DRAWING IS A CONTROLLED DOCUMENT.

DIMENSIONS: INCHES

TOLERANCES UNLESS OTHERWISE SPECIFIED:

0. PLC	± .005
1. PLC	± .005
2. PLC	± .005
3. PLC	± .005
4. PLC	± .005
ANGLES	± .005

MATERIAL: HOUSING: TYP. RETURNANT (THEM/PLASTIC) COLOR: BLACK POSTS: COPPER ALLOY

FINISH: SEE TABLE

WEIGHT: —

APPROVED: J. MARTINELLI 19OCT92

CHK: JOHN KNITTLE 23NOV92

APVD: JOHN KNITTLE 23NOV92

NAME: ASSEMBLY, HEADER, BREAKAWAY, MOD II, DR, .100 X .100 C/L, RA, WITH .025 SQ POSTS

APPLICATION SPEC

SIZE: A1

CAGE CODE: 00779

DRAWING NO: 103324

RESTRICTED TO: —

CUSTOMER DRAWING

SCALE: 4:1

SHEET: 1 of 1

REV: J1