

PRODUCT ADVISORY NOTICE

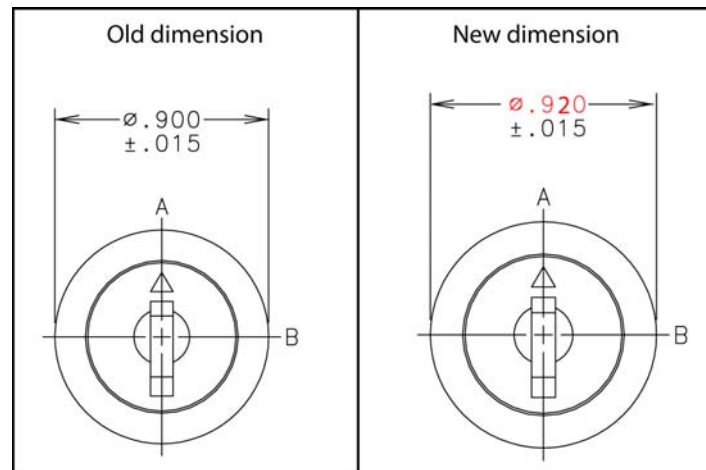
KEEPING YOU INFORMED OF PRODUCT CHANGES

To: Key lock Customers, Grayhill Sales Representatives and Distributors
Date: February 15, 2012
Subject: Series 58 Keylock Dimensional Change

This Product Advisory Notice is to alert you that Grayhill is changing to the outside diameter dimension of the faceplate on our 58 Series key lock assembly drawings. ***Please forward this notification to the appropriate person(s) in your organization.***

Description of the Change

The outside diameter of the faceplate, currently listed as $.900 \pm .015$, on assembly drawings will be changing to $.920 \pm .015$.



Reason for the Change

Our annual First Article review of this product line found our drawings to be in error with the actual parts that were being produced. The drawings will be updated to reflect the actual part dimensions. The change is purely dimensional. There is no impact to functionality or any other mechanical or electrical specification.

Effective Date

Immediately



PRODUCT ADVISORY NOTICE

KEEPING YOU INFORMED OF PRODUCT CHANGES

Part Numbers Affected

The tables below list the Grayhill part numbers included in the change notice:

58J4A45-01A08N	58J4A45-01B05S	58J4A45-01C03N	58J4P45-01B03S	58J4P45-01B08N
58J4A45-01A08S	58J4A45-01B06N	58J4A45-01C03S	58J4P45-01B04N	58J4P45-01B08S
58J4A45-01B02N	58J4A45-01B06S	58J4A45-01C04N	58J4P45-01B04S	58J4P45-01C02N
58J4A45-01B02S	58J4A45-01B07N	58J4A45-01C04S	58J4P45-01B05N	58J4P45-01C02S
58J4A45-01B03N	58J4A45-01B07S	58J4P45-01A08N	58J4P45-01B05S	58J4P45-01C03N
58J4A45-01B03S	58J4A45-01B08N	58J4P45-01A08S	58J4P45-01B06N	58J4P45-01C03S
58J4A45-01B04N	58J4A45-01B08S	58J4P45-01B02N	58J4P45-01B06S	58J4P45-01C04N
58J4A45-01B04S	58J4A45-01C02N	58J4P45-01B02S	58J4P45-01B07N	58J4P45-01C04S
58J4A45-01B05N	58J4A45-01C02S	58J4P45-01B03N	58J4P45-01B07S	
58J8A36-01A10N	58J8A36-01C03N	58J8A45-01C02N	58J8P36-01B06S	58J8P45-01B03S
58J8A36-01A10S	58J8A36-01C03S	58J8A45-01C02S	58J8P36-01B07N	58J8P45-01B04N
58J8A36-01B02N	58J8A36-01C04N	58J8A45-01C03N	58J8P36-01B07S	58J8P45-01B04S
58J8A36-01B02S	58J8A36-01C04S	58J8A45-01C03S	58J8P36-01B08N	58J8P45-01B05N
58J8A36-01B03N	58J8A36-01C05N	58J8A45-01C04N	58J8P36-01B08S	58J8P45-01B05S
58J8A36-01B03S	58J8A36-01C05S	58J8A45-01C04S	58J8P36-01B09N	58J8P45-01B06N
58J8A36-01B04N	58J8A45-01A08N	58J8A90-01A04N	58J8P36-01B09S	58J8P45-01B06S
58J8A36-01B04S	58J8A45-01A08S	58J8A90-01B02N	58J8P36-01B10N	58J8P45-01B07N
58J8A36-01B05N	58J8A45-01B02N	58J8A90-01B03N	58J8P36-01B10S	58J8P45-01B07S
58J8A36-01B05S	58J8A45-01B02S	58J8A90-01B04N	58J8P36-01C02N	58J8P45-01B08N
58J8A36-01B06N	58J8A45-01B03N	58J8A90-01C02N	58J8P36-01C02S	58J8P45-01B08S
58J8A36-01B06S	58J8A45-01B03S	58J8P36-01A10N	58J8P36-01C03N	58J8P45-01C02N
58J8A36-01B07N	58J8A45-01B04N	58J8P36-01A10S	58J8P36-01C03S	58J8P45-01C02S
58J8A36-01B07S	58J8A45-01B04S	58J8P36-01B02N	58J8P36-01C04N	58J8P45-01C03N
58J8A36-01B08N	58J8A45-01B05N	58J8P36-01B02S	58J8P36-01C04S	58J8P45-01C03S
58J8A36-01B08S	58J8A45-01B05S	58J8P36-01B03N	58J8P36-01C05N	58J8P45-01C04N
58J8A36-01B09N	58J8A45-01B06N	58J8P36-01B03S	58J8P36-01C05S	58J8P45-01C04S
58J8A36-01B09S	58J8A45-01B06S	58J8P36-01B04N	58J8P45-01A08N	58J8P90-01A04N
58J8A36-01B10N	58J8A45-01B07N	58J8P36-01B04S	58J8P45-01A08S	58J8P90-01B02N
58J8A36-01B10S	58J8A45-01B07S	58J8P36-01B05N	58J8P45-01B02N	58J8P90-01B03N
58J8A36-01C02N	58J8A45-01B08N	58J8P36-01B05S	58J8P45-01B02S	58J8P90-01B04N
58J8A36-01C02S	58J8A45-01B08S	58J8P36-01B06N	58J8P45-01B03N	58J8P90-01C02N
58J9A36-01A10N	58J9A36-01C05N	58J9A60-01B03N	58J9P36-01B08S	58J9P45-01B07S
58J9A36-01A10S	58J9A36-01C05S	58J9A60-01B04N	58J9P36-01B09N	58J9P45-01B08N
58J9A36-01B02N	58J9A45-01A08N	58J9A60-01B05N	58J9P36-01B09S	58J9P45-01B08S
58J9A36-01B02S	58J9A45-01A08S	58J9A60-01B06N	58J9P36-01B10N	58J9P45-01C02N
58J9A36-01B03N	58J9A45-01B02N	58J9A60-01C02N	58J9P36-01B10S	58J9P45-01C02S
58J9A36-01B03S	58J9A45-01B02S	58J9A60-01C03N	58J9P36-01C02N	58J9P45-01C03N
58J9A36-01B04N	58J9A45-01B03N	58J9A90-01A04N	58J9P36-01C02S	58J9P45-01C03S
58J9A36-01B04S	58J9A45-01B03S	58J9A90-01B02N	58J9P36-01C03N	58J9P45-01C04N
58J9A36-01B05N	58J9A45-01B04N	58J9A90-01B03N	58J9P36-01C03S	58J9P45-01C04S
58J9A36-01B05S	58J9A45-01B04S	58J9A90-01B04N	58J9P36-01C04N	58J9P60-01A06N
58J9A36-01B06N	58J9A45-01B05N	58J9A90-01C02N	58J9P36-01C04S	58J9P60-01B02N
58J9A36-01B06S	58J9A45-01B05S	58J9P36-01A10N	58J9P36-01C05N	58J9P60-01B03N



PRODUCT ADVISORY NOTICE

KEEPING YOU INFORMED OF PRODUCT CHANGES

58J9A36-01B07N	58J9A45-01B06N	58J9P36-01A10S	58J9P36-01C05S	58J9P60-01B04N
58J9A36-01B07S	58J9A45-01B06S	58J9P36-01B02N	58J9P45-01A08N	58J9P60-01B05N
58J9A36-01B08N	58J9A45-01B07N	58J9P36-01B02S	58J9P45-01A08S	58J9P60-01B06N
58J9A36-01B08S	58J9A45-01B07S	58J9P36-01B03N	58J9P45-01B02N	58J9P60-01C02N
58J9A36-01B09N	58J9A45-01B08N	58J9P36-01B03S	58J9P45-01B02S	58J9P60-01C03N
58J9A36-01B09S	58J9A45-01B08S	58J9P36-01B04N	58J9P45-01B03N	58J9P90-01A04N
58J9A36-01B10N	58J9A45-01C02N	58J9P36-01B04S	58J9P45-01B03S	58J9P90-01B02N
58J9A36-01B10S	58J9A45-01C02S	58J9P36-01B05N	58J9P45-01B04N	58J9P90-01B03N
58J9A36-01C02N	58J9A45-01C03N	58J9P36-01B05S	58J9P45-01B04S	58J9P90-01B04N
58J9A36-01C02S	58J9A45-01C03S	58J9P36-01B06N	58J9P45-01B05N	58J9P90-01C02N
58J9A36-01C03N	58J9A45-01C04N	58J9P36-01B06S	58J9P45-01B05S	
58J9A36-01C03S	58J9A45-01C04S	58J9P36-01B07N	58J9P45-01B06N	
58J9A36-01C04N	58J9A60-01A06N	58J9P36-01B07S	58J9P45-01B06S	
58J9A36-01C04S	58J9A60-01B02N	58J9P36-01B08N	58J9P45-01B07N	

Action Required

No action required. Please contact your Grayhill, Inc. sales associate for further information.

