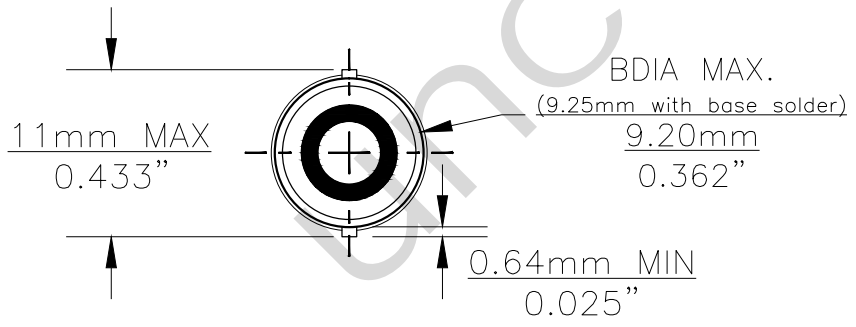
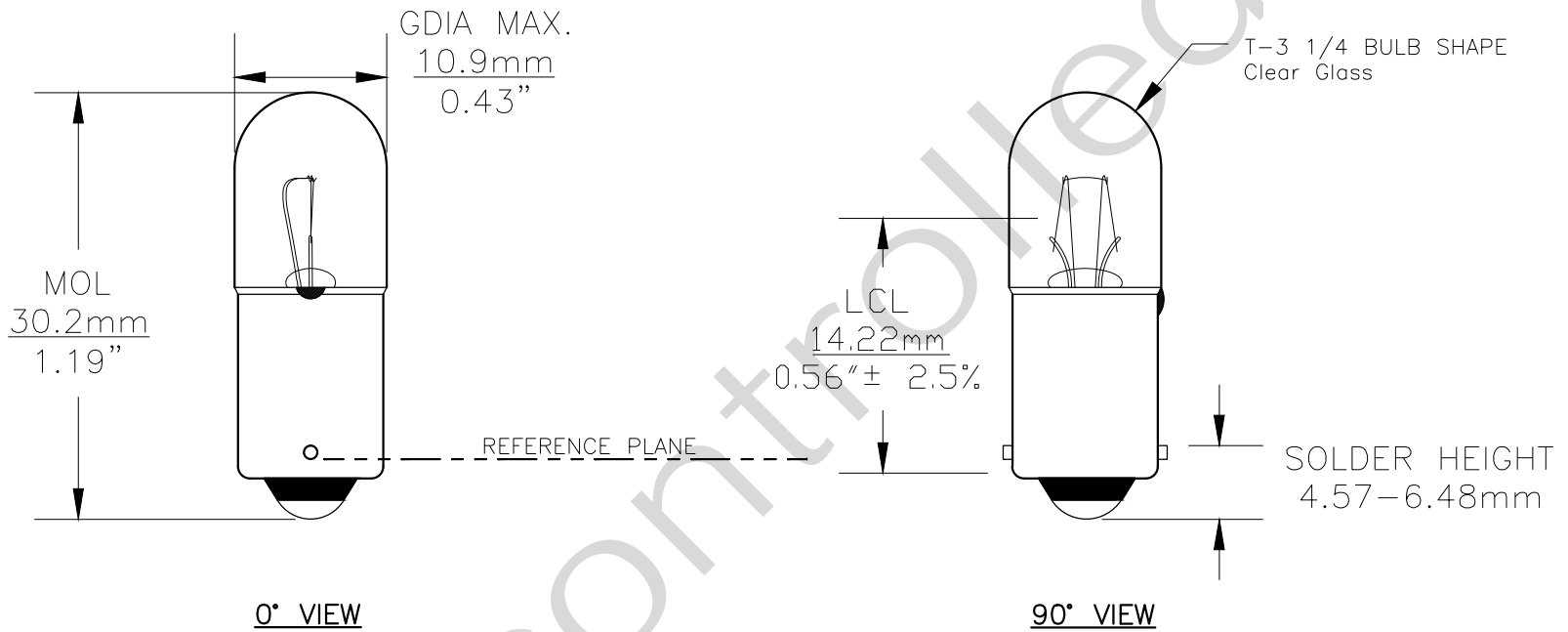




Since 1959

PART NO.	BASE TYPE	DESIGN VOLTS	DESIGN AMPS	MSCD	FILAMENT TYPE	AVERAGE LIFE HOURS	REVISIONS			
							REV #	DESCRIPTION	DATE	APPROVED
1891	MINIATURE BAYONET (BA9s)	14.0V	0.24±15%	2.0±20%	C-2F	500	1	ADDED BASE BOTTOM AND 90° VIEWS	04/07/2016	R.M.



Note: Made according to SAE specifications

UNLESS OTHERWISE SPECIFIED: DIMENSIONS ARE IN INCHES TOLERANCES		CEC INDUSTRIES LTD			
DECIMALS	ANGULAR	599 BOND STREET		LINCOLNSHIRE, IL 60069	
.XX ± .05	± 0.5°	TITLE LIGHT BULB NO. 1891			
.XXX ± .010		CHECKED	SIZE A	FSCM NO. 1891	REV 1
FRACTIONAL ± 1/64		DESIGN	SCALE	PLOT SCALE	SHEET 1 OF 1
DRAWN MARIA M VARGAS DATE 01/17/2000		MATERIAL FILE 1891.pdf DRAWING NOT TO SCALE			

BASE BOTTOM VIEW