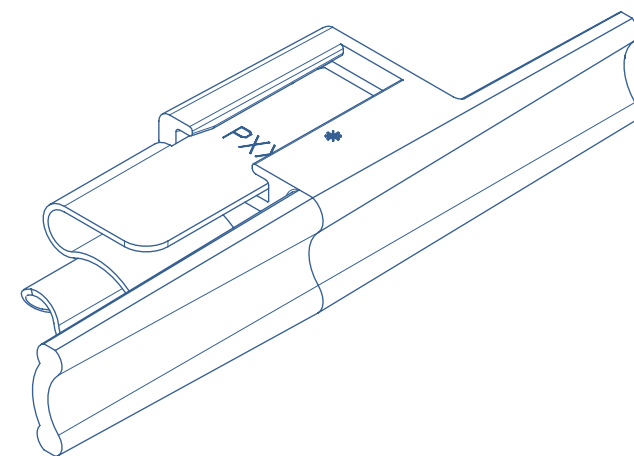
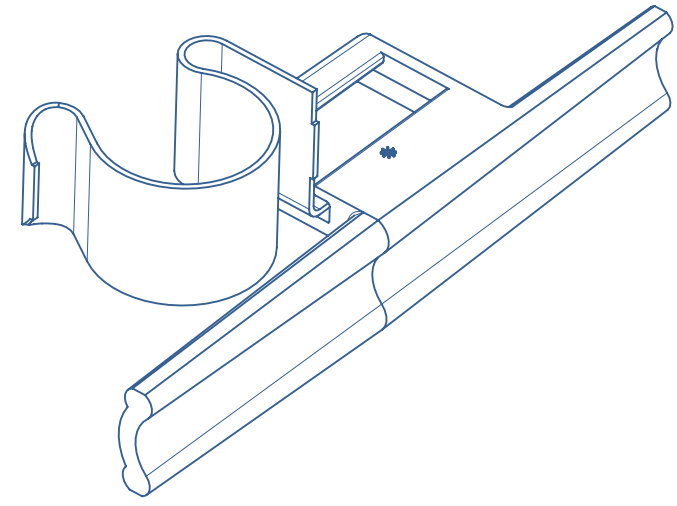


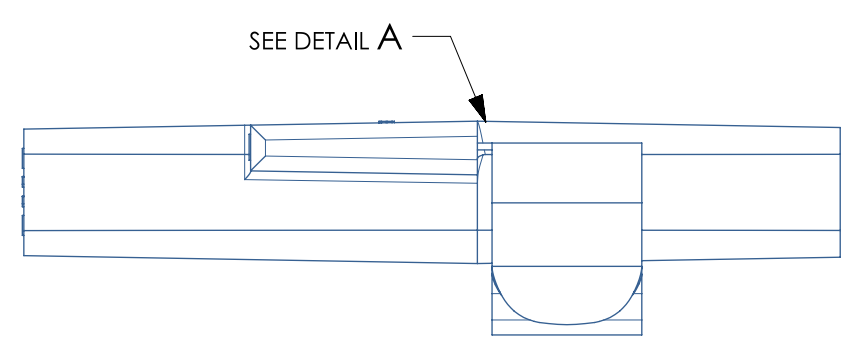
SYMBOL DEFINITION		MISSING SYMBOLS		Revision Level			Revision Record		Changed	Date	Approved	Date
A DIMENSION WITHOUT AN INSPECTION REPORT SYMBOL  DOES NOT REQUIRE INSPECTION. IT MAY BE CONTROLLED ON THE INDIVIDUAL COMPONENT DRAWING.	TOTAL NO. OF INSPECTIONS REQUIRED	NO MISSING SYMBOL NUMBERS	Drawing	State	Part	SEE ECN# 014722	NHK	10/25/18	HDC	10/25/18		
	LAST NO. USED		57.1	Design Release	-							



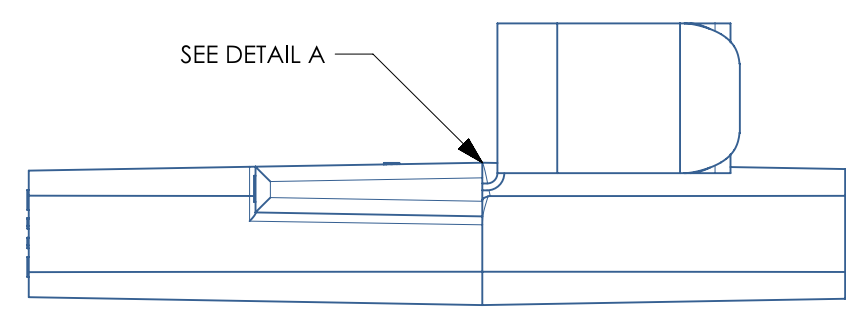
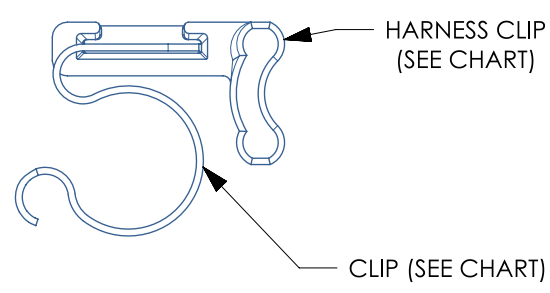
ISOMETRIC VIEW



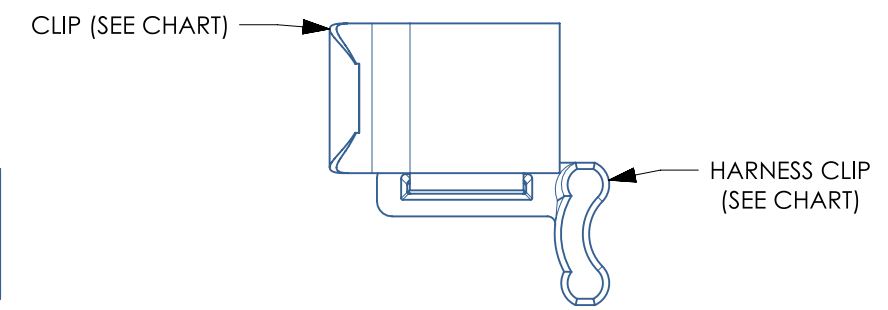
ISOMETRIC VIEW



TYPE 101

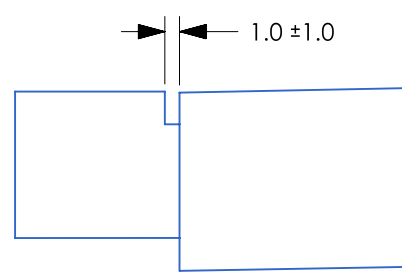


TYPE 102

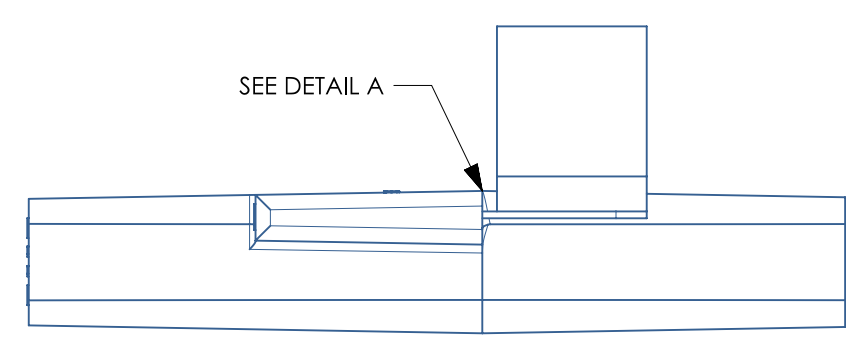


NOTES:

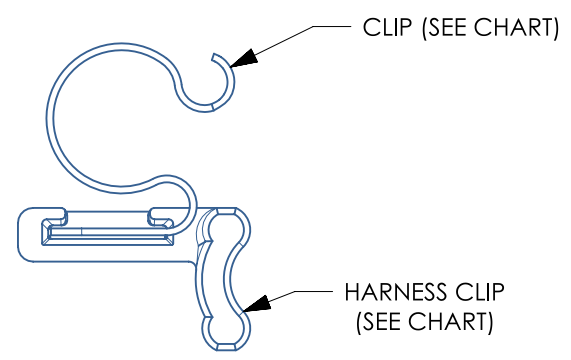
- UNLESS OTHERWISE SPECIFIED AND/OR INDICATED:  
DIMENSIONS ARE TO FACE OF VIEW SHOWN AND AUTOMATICALLY ROUNDED BY COMPUTER FOR INSPECTION (SEE MATH MODEL FOR PRECISE DIMENSIONS). FOR ALL OTHER DIMENSIONS NOT SHOWN, BUT REQUIRED FOR TOOL BUILD, SEE MATH MODEL FOR PRECISE TOOL PATH DATA.
- OBSOLETE PART(S) CONTAIN A HEXAVALENT CHROME COATING, DO NOT USE THIS PART ON NEW APPLICATIONS, HEXAVALENT CHROME IS A BAND SUBSTANCE. IF THIS PART IS REQUIRED FOR CURRENT OR FUTURE BUSINESS OR FOR SERVICE REQUIREMENTS, CONTACT THE PRODUCT LINE ENGINEER OF MATERIALS ENGINEERING TO GET A NEW PART THAT IS FREE FROM HEXAVALENT CHROME. JULY 1, 2007 FOR SERVICE REQUIREMENTS.
- THIS PRODUCT IS NOT CATEGORIZED AS AN APPEARANCE ITEM. MINOR IMPERFECTIONS INCLUDING, BUT NOT LIMITED TO, FLOW MARKS, COLOR BLEMISHES, GATE VESTIGES, AND SOFT FLASH THAT DO NOT AFFECT THE FIT, FORM, OR FUNCTION OF THE PART ARE PERMISSIBLE PER SPEC: S-QA-10.3-9
- CLIP SHALL WITHSTAND 6.7 LBS (30N) MINIMUM DISENGAGE FORCE FROM CLIP SLOT OF HARNESS CLIP.



DETAIL A  
FOR APPLICABLE METAL CLIP TYPES



57.1 TYPE 103



ASSEMBLY PROCESS NOTES:

- ASSEMBLE SPRING CLIP SECURELY IN HARNESS CLIP. SEE APPLICABLE DETAIL A

57.1

TYPE	ASSY	PART NUMBER	HARNESS CLIP	CLIP	COLOR
103	17-1098	15497243	15305156	15495816	BLACK
101	17-2485	15497254	15305156	15495961	BLACK
102	18-0401	15497259	15305156	15495963	BLACK
101	18-0403	15497257	15305156	15499841	BLACK
101	18-0404	15497256	15305156	15495809	BLACK

DIMENSIONS ENCLOSED IN ( ) INDICATE REFERENCE DIMENSIONS AND NO TOLERANCE LIMITS ARE ESTABLISHED.

Material SEE CHART	Units millimeters	The copyright of this drawing is reserved by HellermannTyton. It is issued on condition that it is not reproduced, copied or disclosed to a third party, either wholly or in part, without the consent of HellermannTyton.
Tolerance defined on each dimension		

Drawn RJE 08/10/17  
Approved EJH 08/10/17

**HellermannTyton**  
North America  
Email: corp@htamericas.com  
Web: www.hellermann.tyton.com

THIS DRAWING SUPERCEDES DELPHI DWG: 08905026 REV 54	
Article/Type-No SEE CHART	Scale 2:1
Title TAXI ASM MOUN CLIP TAPE ON	Project Number 17-1098
Drawing-No 17-1098-001-CSU	PRODUCTION : Phase Format C Sheet 1 / 1