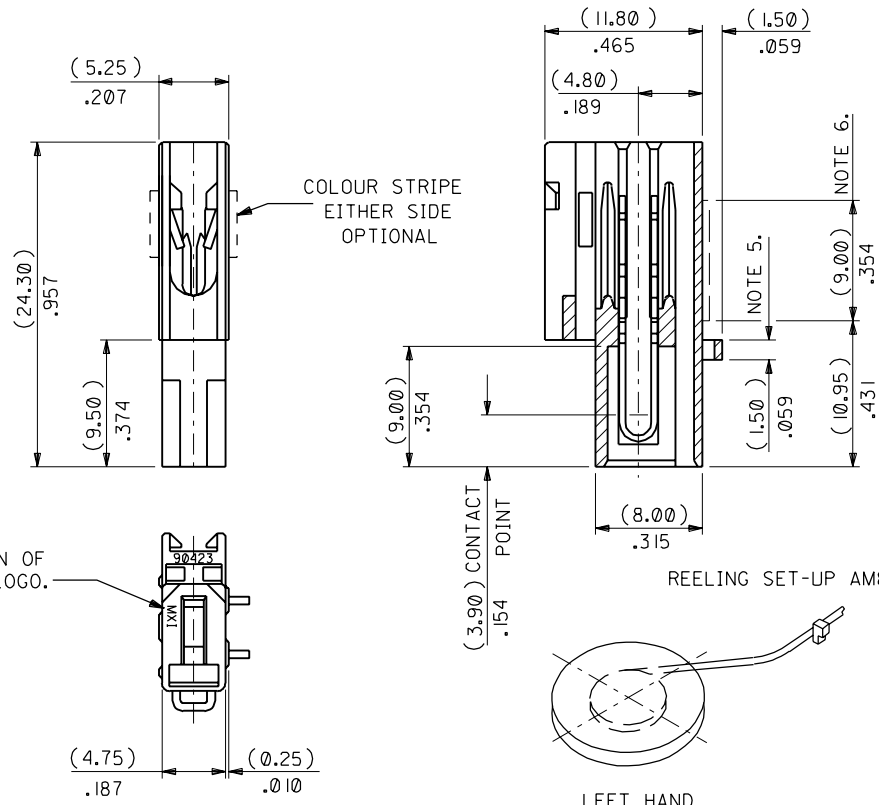


PART NO. SEE CHART
 DWG. NO. SDA-90423



90423-***1
 BASE NO.

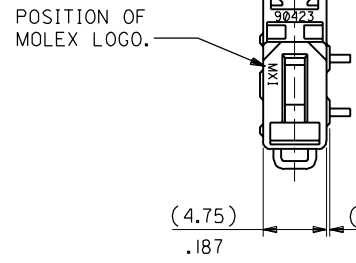
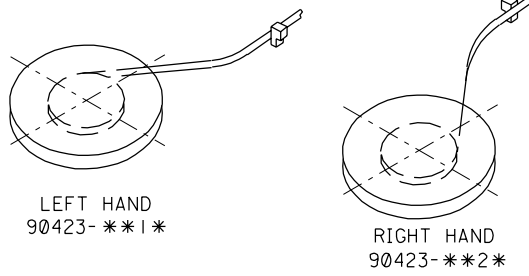
90400, 90546, OR 90698 TERMINAL	
PART NO. SUFFIX	MATERIAL & PART NO.
-0***	BRASS TIN PLATED -0001
-1***	PHOS BRONZE TIN PLATED -0003

90424 HOUSING COLOUR OR STRIPE		
PART NO.	COLOUR	
-*1**	BRICK RED	FOR 90400 ONLY
-*2**	COLOUR STRIPE BLUE	FOR 90546 ONLY
-*3**	RED STRIPE	FOR 90698 ONLY

	PACKAGING	TAB
-***0*	LOOSE PIECE	YES
-***1*	ON LEFT HAND	YES
-***2*	TAPE RIGHT HAND	YES
-***3*	LOOSE PIECE	NO

CIRCUIT NUMBER

REELING SET-UP AM81 & AM130



- NOTES:
- MATERIAL: HOUSING: NYLON 66 25% GLASS FILLED 94 V-0
 - WIRE RANGE: 0.50² mm - 1.50² mm MAX INSULATION DIA 3.20mm
INSULATION HARDNESS = 85-95 SHORE
 - ALL EXTERNAL EDGES AND CORNERS HAVE R (0.20)/.008
 - ACCEPTS 6.30mm TAB TO DIN 46244 OR BS 5057
 - BOSS NOT PRESENT AFTER TERMINATION
 - POSITION OF TAPE (WHERE APPLICABLE)
 - STACKABLE AT (5.00)/.197 PITCH

FOR PREVIOUS DRAWING ISSUES SEE MRI.	FOR 90698 ADDED ECN E2056 14 APRIL 1992 BGB	DIMENSIONS SHOWN (METRIC) INCH UNLESS OTHERWISE SPECIFIED TOLERANCES: ANGULAR ± 1/2°	DRWG BY JWP
		INCH (METRIC)	CHK'D BY
		3 PLACE ± 2 PLACE ± 1 PLACE ±	APP'D BY
		DRAFT WHERE APPLICABLE MUST REMAIN WITHIN DIMENSIONS	SCALE
	DESIGN DIMENSION (PRIMARY) <input checked="" type="checkbox"/> IN. <input type="checkbox"/> MM		3:1
	EQUIVALENT DIMENSION (SECONDARY) <input type="checkbox"/> IN. <input checked="" type="checkbox"/> MM		

REVISE ONLY ON CAD SYSTEM		SH.	REV.
CAD/CAM FILENAME SA90423X1 DGN		THIS DRAWING CONTAINS INFORMATION THAT IS PROPRIETARY TO MOLEX INC. & SHOULD NOT BE USED WITHOUT WRITTEN PERMISSION	
TITLE MWG 6.3 TAB ONE WAY BACK WALL VERSION			
MOLEX MOLEX EUROPE		SHEET NO. DATE 1 OF 1 9 / 12 / 86	
PART NO. SEE CHART	DWG NO. SDA-90423	SIZE B	