

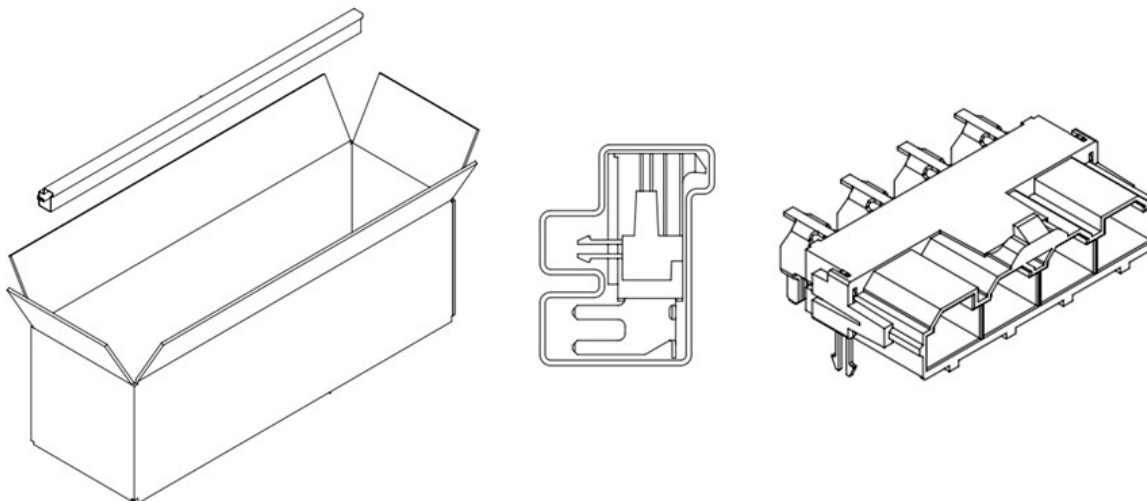


Product Change Notification

Date Issued :	May 19, 2022	PCN Number :	511986
Reason for Change :	Packaging Method/Quantity Changing		
Description of Change :	This notification is to inform you about part(s) listed in this notice that will undergo changes for new Delivery unit. No changes will be made to the product as a result of this change.		
Reason for Short Notice :	Corrective Actions		
Assessment of Change :	First Article Inspection No change to parts - Form/Fit/Function		
Planned Implementation Date :	June 30, 2022		
Sample Availability Date:	May 26, 2022		
Internal Molex Qualification Date :	May 27, 2022		
Last date to request Samples by Customer :	May 18, 2022		

Before Picture

Minifit Sr.



1

1

Molex Confidential Information
© 2016 Molex – All Rights Reserved. Unauthorized Reproduction/Distribution is Prohibited.

After Picture

Overview

- This notification is to inform you about part(s) listed in this notice that will undergo changes for new Delivery unit. No changes will be made to the product as a result of this change.

- Product Impact
 - No impact to fit, form or function

- Part Number Impact
 - See attached impacted parts list.

- No PPAP or samples available.

2

Molex Confidential Information
© 2016 Molex – All Rights Reserved. Unauthorized Reproduction/Distribution is Prohibited.

The Molex logo, consisting of the word "molex" in a bold, lowercase, sans-serif font. The letters are red, and there is a small registered trademark symbol (®) to the upper right of the letter "x".

RELEASED

Additional Information :

Additional description

- To avoid receive customer orders out of DU in SAP; Molex starting this change to update in SAP the global DU for all listed part number in this PCN.

3 Molex Confidential Information
© 2016 Molex – All Rights Reserved. Unauthorized Reproduction/Distribution is Prohibited.



RELEASED

You may address inquires regarding this PCN by clicking on the below link
mailto:pcn_coordinator@molex.com?subject=PCN_Notification:511986
or contact your Local Sales Engineer.

Note: While responding, please retain " PCN Notification : **PCN Notification: 511986** " in the e-mail Subject line for faster response.

[Molex, LLC](#)
2222 Wellington Court
Lisle, IL 60532
TEL (800) 786-6539
www.molex.com

Updated Quantity Template

before

after

Molex Part Number	Current Standard Pack Quantity (DU)	Current Minimum Order Quantity	New Standard Pack Quantity (DU)	New Minimum Order Quantity	Weighth
428202244	-	-	420.00	420.00	7.287/g
428203213	320	320	300.00	300.00	9.540/g
469842221	460.00	920.00	420.00	840.00	6.869/g
469842231	460.00	460.00	420.00	840.00	6.869/g
445400002	320.00	320.00	300.00	300.00	6.500/g
445400003	320.00	320.00	300.00	300.00	7.912/g
445401001	320.00	320.00	300.00	300.00	9.636/g
445401010	320.00	320.00	300.00	300.00	7.884/g
445401011	320.00	320.00	300.00	300.00	7.930/g