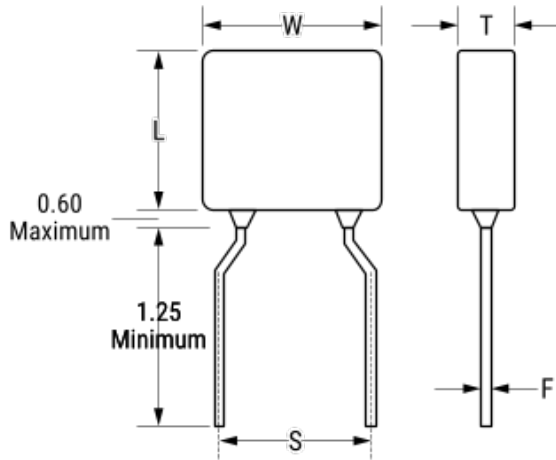


## TCR05B470JGS

TCR Indust COG HT260C, Ceramic, 47 pF, 5%, 50 VDC, COG, Commercial, High Temperature, Lead Spacing = 5.08mm



Click [here](#) for the 3D model.

### Dimensions

L	5.08mm MAX
W	5.08mm MAX
T	2.54mm MAX
S	5.08mm +/-0.76mm
LL	3.175mm MIN
F	0.508mm +/-0.051mm

### Packaging Specifications

Packaging	Bulk, Bag
Packaging Quantity	1

### General Information

Series	TCR Indust COG HT260C
Style	Radial
Description	Commercial, High Temperature
Features	Commercial
RoHS	With Exemptions
REACH	SVHC (Pb - CAS 7439-92-1)
SCIP Number	a5a9e204-6d6a-49c3-acf7-37d0b4e9df91
Termination	Gold
Failure Rate	N/A
Testing and Reliability	Standard
AEC-Q200	No

### Specifications

Capacitance	47 pF
Capacitance Tolerance	5%
Voltage DC	50 VDC
Dielectric Withstanding Voltage	125 VDC
Temperature Range	-55/+260°C
Temperature Coefficient	COG
Dissipation Factor	0.15% 1MHz 1.0Vrms
Insulation Resistance	100 GOhms

Statements of suitability for certain applications are based on our knowledge of typical operating conditions for such applications, but are not intended to constitute - and we specifically disclaim - any warranty concerning suitability for a specific customer application or use. This information is intended for use only by customers who have the requisite experience and capability to determine the correct products for their application. Any technical advice inferred from this information or otherwise provided by us with reference to the use of our products is given gratis, and we assume no obligation or liability for the advice given or results obtained.