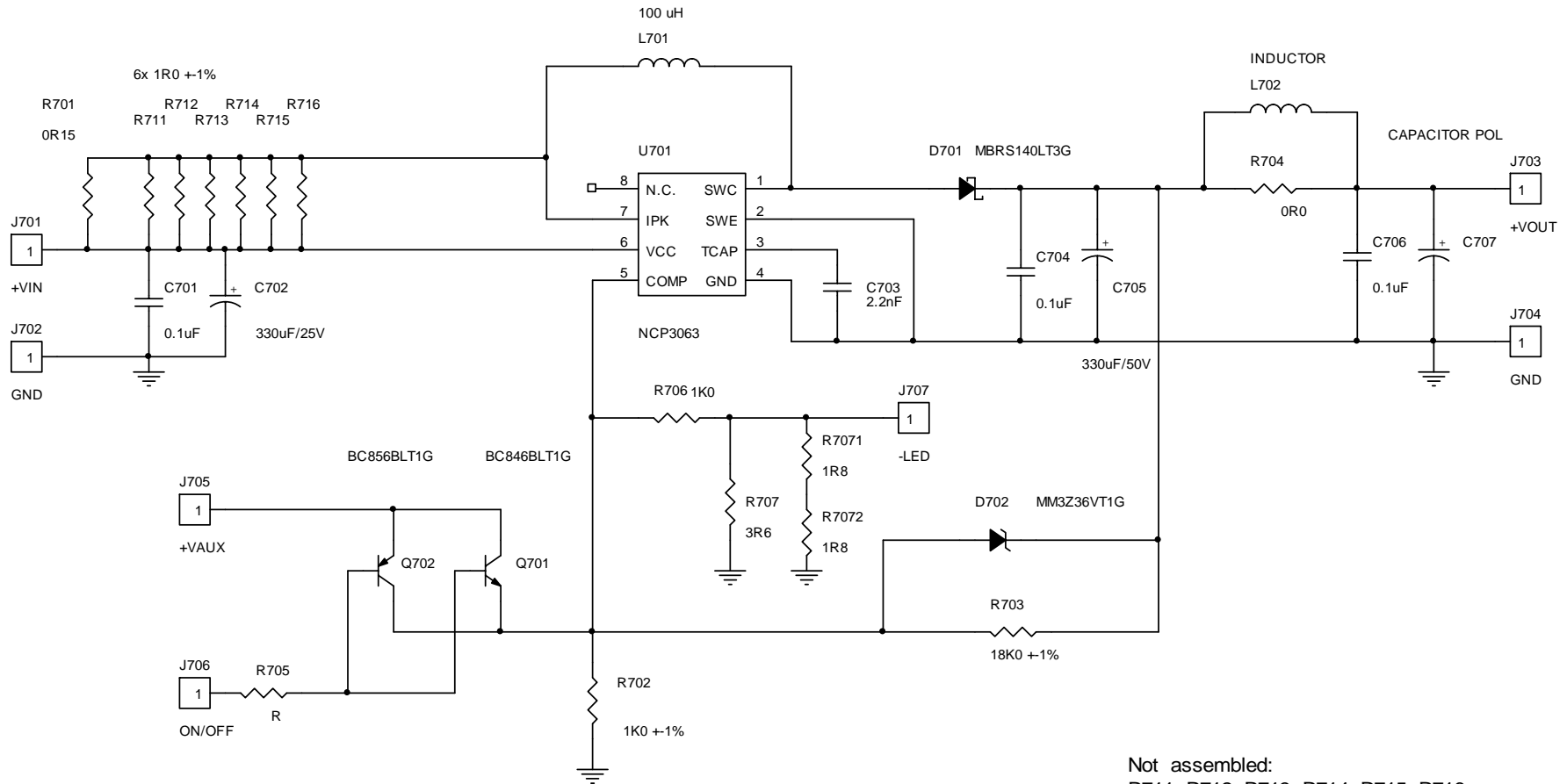




Schematic for the NCP3063 (DFN) Boost Evaluation Board

9/27/2006



Not assembled:
 R711, R712, R713, R714, R715, R716,
 R705, R706, R707, R7071, R7072
 L702
 C706, C707
 Q701, Q702
 D702