

MT5C/8C Series

Ø56mm/Ø85mm Bulb Type Tower Light



- Optional LED bulbs available
- Selectable Steady or Flashing Modes
- Prism-cut lenses for even light distribution
- Various mounting options
- Optial buzzer (80 dB) kit available



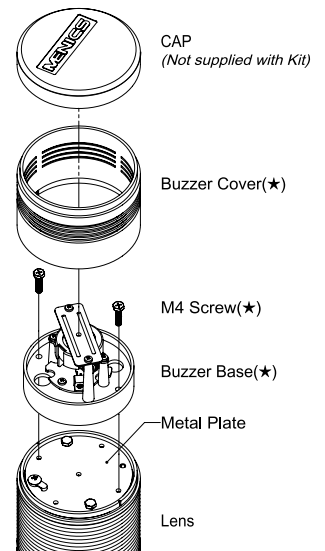
Ordering Information

| MT | 5 | C | 5 | A | L | - | RYGBC |
|----------------------------------|---|-------------|-------------------|---|---|---|-------|
| | ① | ② | ③ | ④ | ⑤ | | ⑥ |
| Lens Diameter | 5 | Ø56mm | | | | | |
| | 8 | Ø85mm | | | | | |
| Light Style | C | | Steady & Flashing | | | | |
| Number of Stacks | 1 | 1 Light | | | | | |
| | 2 | 2 Lights | | | | | |
| | 3 | 3 Lights | | | | | |
| | 4 | 4 Lights | | | | | |
| | 5 | 5 Lights | | | | | |
| Power Supply | A | 24V AC/DC | | | | | |
| | B | 110~120V AC | | | | | |
| | C | 220~240V AC | | | | | |
| ⑤ Connection | L | | Lead Wires | | | | |
| ⑥ Lens Colors (top to bottom) | R | Red | | | | | |
| | Y | Yellow | | | | | |
| | G | Green | | | | | |
| | B | Blue | | | | | |
| | C | Clear | | | | | |

Specifications

| Power Supply | | 24VAC/DC (w/Buzzer) | 110VAC (w/Buzzer) | 220VAC (w/Buzzer) | |
|-----------------------------------|---------|-------------------------|----------------------|----------------------|----------------|
| Current Consumption (RMS ±10%) | Bulb | 1 Stack | 0.4 A (0.43A) | 0.09 A (0.12A) | 0.04 A (0.07A) |
| | 2 Stack | 0.8 A (0.83A) | 0.18 A (0.21A) | 0.08 A (0.11A) | |
| | 3 Stack | 1.3 A (1.33A) | 0.27 A (0.30A) | 0.12 A (0.15A) | |
| | 4 Stack | 1.7 A (7.73A) | 0.36 A (0.39A) | 0.16 A (0.19A) | |
| | 5 Stack | 2.0 A (2.03A) | 0.45 A (0.48A) | 0.20 A (0.23A) | |
| LED Life-Span | | 10,000 hours (minimum) | | | |
| Degree of Protection | | IP54 (IP50 with buzzer) | | | |
| Alarm Sound Level | | 80 ± 5dB at 1 meter | | | |
| Flashing rate | | 80 ± 10 times/minute | | | |
| Certificate/compliance | | UL, CE, RoHS | | | |
| Vibration | | 3mm at 10~55Hz | | | |
| Ambient Temp. | | -15°C~40°C | | | |
| Ambient Humidity | | 45~85% RH | | | |
| Recommended Wire Size | | 1007 UL / 22 AWG | | | |
| Operation | | Steady/Flashing/Buzzer | | | |

Optional Buzzer Kit



MPZ - 56 A
① ②

| ② Buzzer Size (Diameter) | |
|--------------------------|-------------------------|
| 56 | Ø56mm (for MT5C Series) |
| 85 | Ø85mm (for MT8C Series) |

| ① Power Supply | |
|----------------|--------------------------|
| A | 24V AC/DC, 80dB (30mA) |
| B | 110~120V AC, 80dB (30mA) |
| C | 220~240V AC, 80dB (30mA) |

Replacement Parts

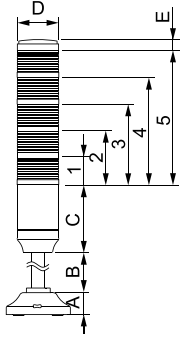
*Note: Max. number of tier including Buzzer is 5.

| | | | |
|------|---|------------------|------------------|
| LED | | MAL-T15-D-24-C | 24V DC |
| | | MAL-T15-D-120-C | 110~120V AC |
| BULB | | MAB-T15-D-024-10 | 24V AC/DC, 10W |
| | | MAB-T15-D-120-10 | 110~120V AC, 10W |
| | | MAB-T15-D-240-10 | 220~240V AC, 10W |
| Lens | - | MT5-(①) | Ø56mm |
| | | MT8-(①) | Ø85mm |

①: Color of LED or Lens; R, Y, G, B or C

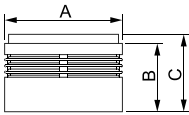
Dimensions

unit: mm



| Symbol | Model | | |
|--------|-------|--------------|--------------|
| | MT4B | MT5C MT5B | MT8C MT8B |
| A | 29 | 29 | 29 |
| B | 185 | 185 | 185 |
| C | 73 | 95 | 95 |
| D | 45 | 56 | 85 |
| E | 10.5 | 15 | 15 |
| 1 | 46 | 68 | 68 |
| 2 | 92 | 136 | 136 |
| 3 | 138 | 204 | 204 |
| 4 | 184 | 272 | 272 |
| 5 | 230 | 340 | 340 |

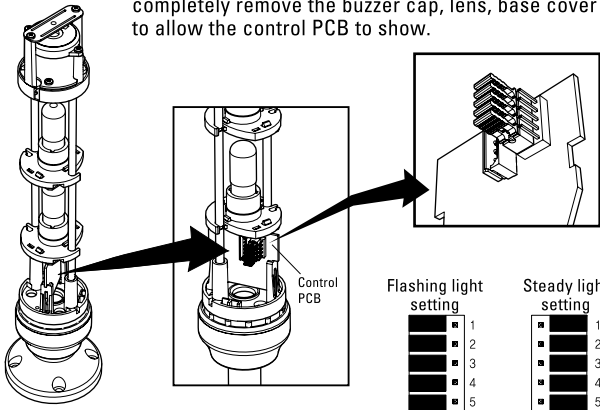
Optional Buzzer Kit MPZ-56 MPZ-85



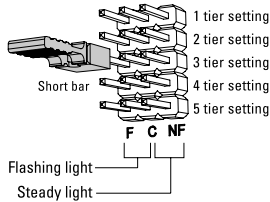
| Symbol | MPZ-56 | MPZ-85 |
|--------|--------|--------|
| A | 56 | 86 |
| B | 48 | 50 |
| C | 54 | 56 |

Lighting feature setting

- ① Remove the bulb by turning the upper fixed cap, and completely remove the buzzer cap, lens, base cover to allow the control PCB to show.



- ② The shortcircuit bar setting position of control PCB for all the shipped products is set at flashing function. In case of changing a signal of desired tier steady light function, take out the shortcircuit bar of the desired tier of the control PCB, move and insert it sideways by one space.



See page 21-23
for mounting options and accessories

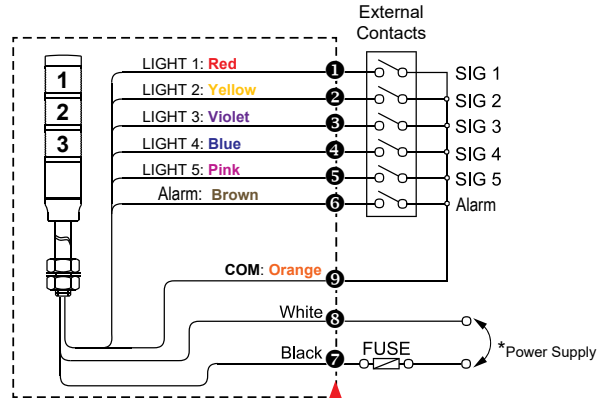
Wiring Diagram

MT5C/8C

24V AC/DC

MT5C□AL-□□□□ MT8C□AL-□□□□

Steady & Flashing (w/Alarm)



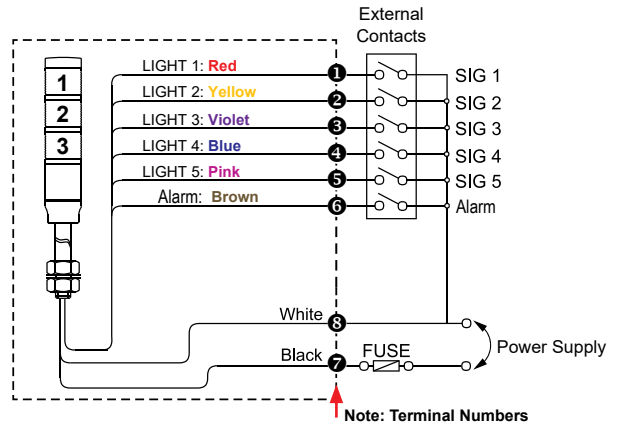
* No polarity for DC applications.

110~120V AC, 220~240V AC

MT5C□BL-□□□□
MT8C□BL-□□□□

Steady & Flashing Lights (w/Alarm)

MT5C□CL-□□□□
MT8C□CL-□□□□



How to change bulbs

