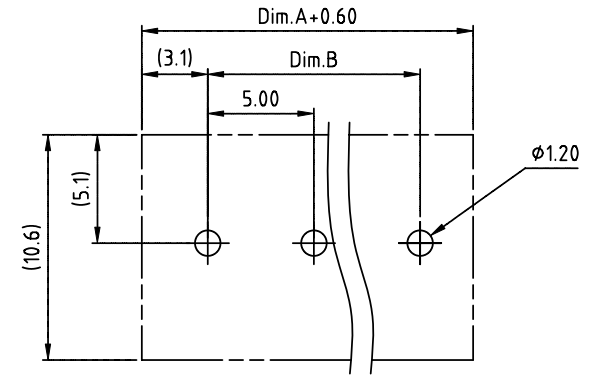
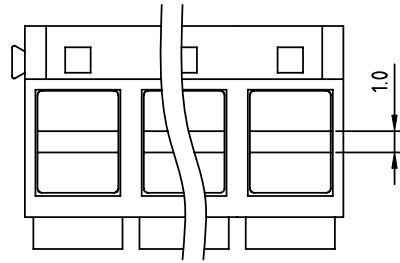
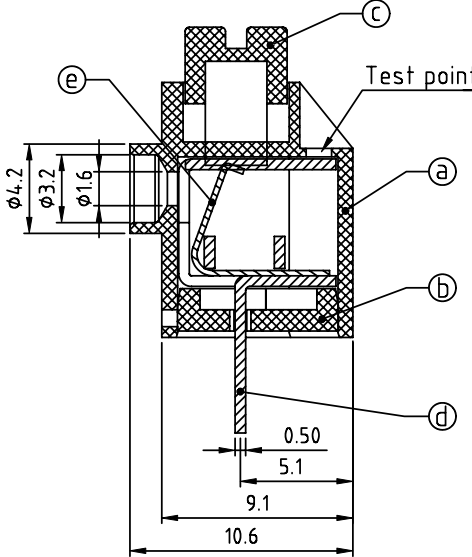
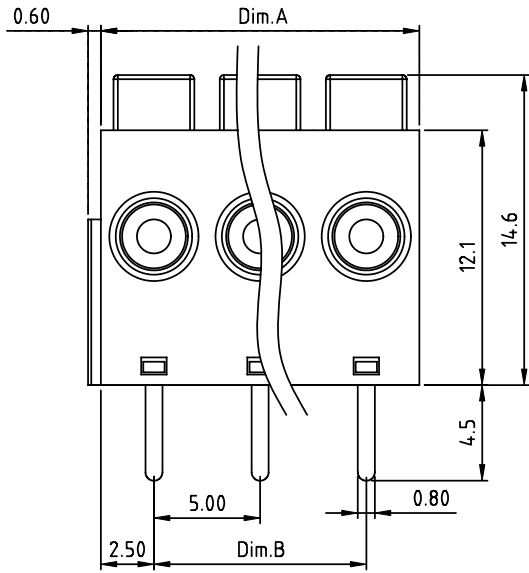


PRODUCT NUMBER	PITCH
HYxx00x000JOG	5.00mm



RECOMMENDED P.C.B LAYOUT
TOP VIEW



Material:

- Item (a) Insulating body: Thermoplastic (UL94V-0)
- Item (b) Insulating cover: Thermoplastic (UL94V-0)
- Item (c) Insulating lever: Thermoplastic (UL94V-0) White
- Item (d) Solder pin: Brass, Tin plated
- Item (e) Spring clamp: Stainless steel

Electrical cULus

- Voltage rating: 300VAC
- Current rating: 7A
- Wire range:
- Solid wire(AWG): 18-22
- Stranded wire(AWG):
- Wire strip length: 7-7.5mm
- Withstanding Voltage: 1.6KV
- Operating temperature: -40°C to +115°C
- Soldering temperature: 260°C±5°C/5 Sec
- Safety Approval:

PART NO.: HY xx 00 x 000JOG

Dimension

Dim.A	Nx5.0
Dim.B	(N-1)x5.0
N=Number of poles	
Poles	Tolerance
2p-8p	±0.20
9p-16p	±0.30
17p-24p	±0.40

No. of poles	Color	RoHS compliant
0	Black (RAL9005)	(lead<4%)
2	Red (RAL3001/D)	In copper Alloy
02	2 poles	
03	3 poles	
3	Orange(RAL2011/P)	
4	Yellow(RAL1018/A)	
5	Green(RAL6018/T)	
6	Blue (RAL5015/A)	
8	Grey(RAL7004/P)	
9	White(RAL1102)	
C	Multiple colors	

mat'l. code		surface ASME Y14.5	tolerance ASME Y14.5	projection 	product family TERMINAL BLOCK
ltr	ecn no	dr	date	MM	title TERMINAL BLOCK SPRING CLAMP,180D WIRE INLET
tolerances unless otherwise specified					
angles		X.±0.5		scale	dwg no HYxx00x000JOG
X*±1°		X.X±0.3			
X*±1°		X.XX±0.1			sheet 1 of 1 size A4
dr	EVIN ZHONG	060314			
enr	EVIN ZHONG	060314			
chr	HANKE FENG	060314			
appd	SHI JUN	060314			
sheet index	revision	A		type CUSTOMER Drawing	
	sheet	1			