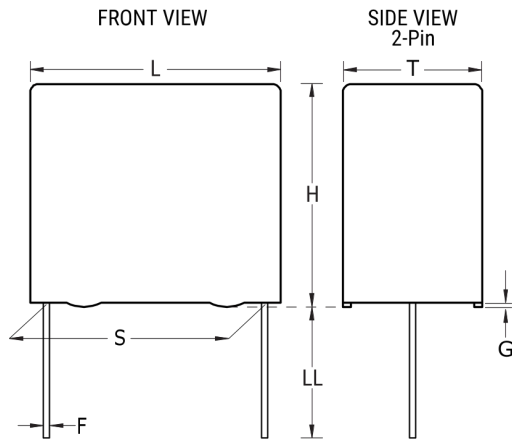


## F881KJ332M300C

F881, Film, Metallized Polypropylene, Safety, 3300 pF, 20%, 300 VAC (Y2), 1000 VDC, 110°C, Lead Spacing = 7.5mm



Click [here](#) for the 3D model.

### Dimensions

L	10mm -0.5mm
H	10.5mm -0.5mm
T	5mm -0.5mm
S	7.5mm +/-0.4mm
LL	4mm +2mm
F	0.6mm +/-0.05mm
G	0.5mm NOM

### Packaging Specifications

Packaging	Bulk, Bag
Packaging Quantity	1500

### General Information

Series	F881
Dielectric	Metallized Polypropylene
Style	Radial
Features	MKP EMI Safety
RoHS	Yes
Lead	Cut/Short
Safety Class	Y2
Qualifications	ENEC, UL, cUL, CQC
AEC-Q200	No
THB Performance	No
Component Weight	0.834 g
Miscellaneous	ClimCat: 40/110/56/C.
Shelf Life	104 Weeks

### Specifications

Capacitance	3300 pF
Capacitance Tolerance	20%
Voltage AC	300 VAC (Y2)
Voltage DC	1000 VDC
Temperature Range	-40/+110°C
Rated Temperature	110°C
Dissipation Factor	0.3% 1KHz
Insulation Resistance	30 GOhms
Max dV/dt	800 V/us

Statements of suitability for certain applications are based on our knowledge of typical operating conditions for such applications, but are not intended to constitute - and we specifically disclaim - any warranty concerning suitability for a specific customer application or use. This information is intended for use only by customers who have the requisite experience and capability to determine the correct products for their application. Any technical advice inferred from this information or otherwise provided by us with reference to the use of our products is given gratis, and we assume no obligation or liability for the advice given or results obtained.