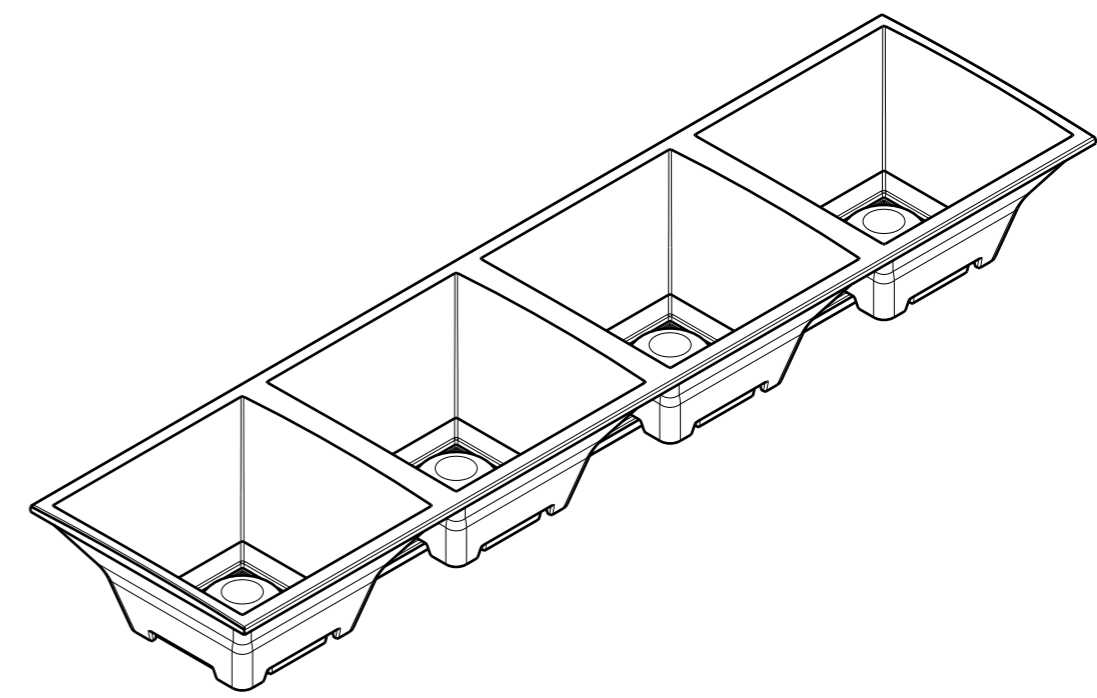
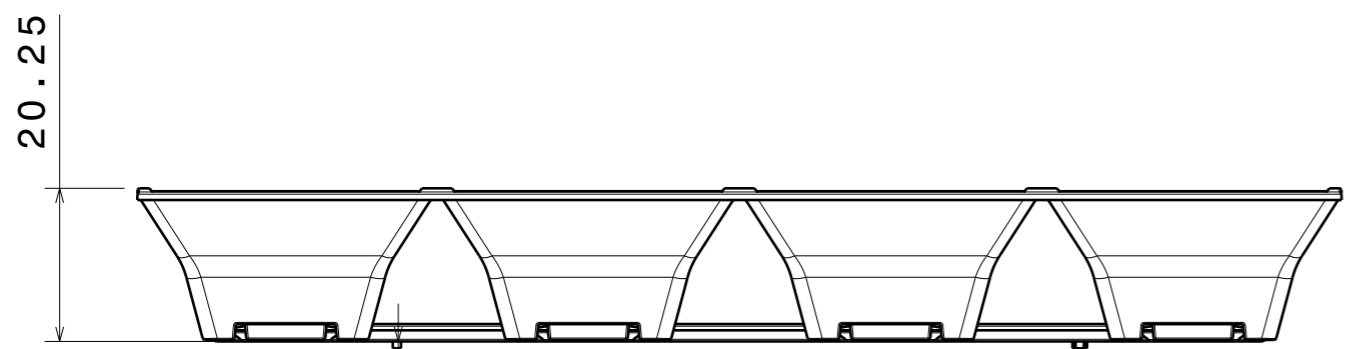


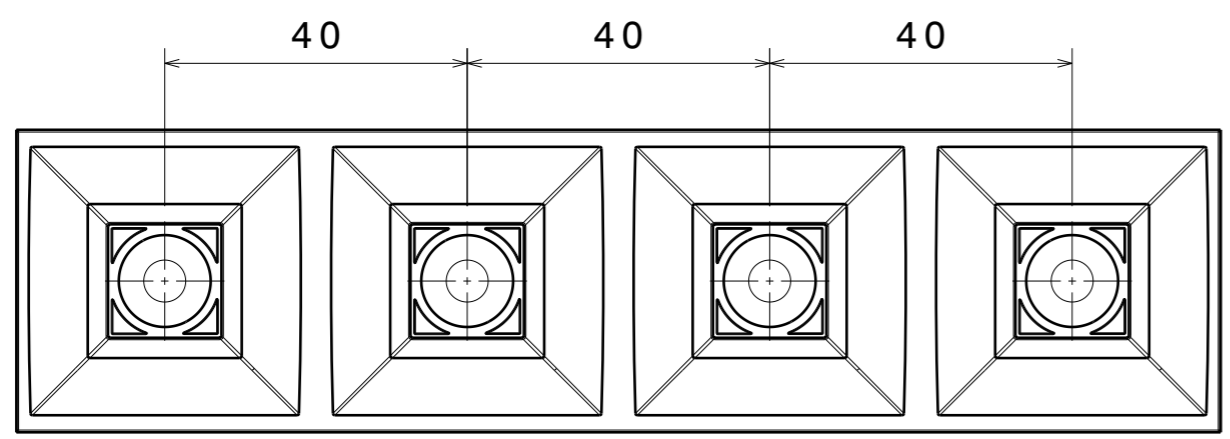
Bottom view



Isometric view



Front view



Top view

CN17425_DAISSY-4X1-W-MATT
COMPONENTS

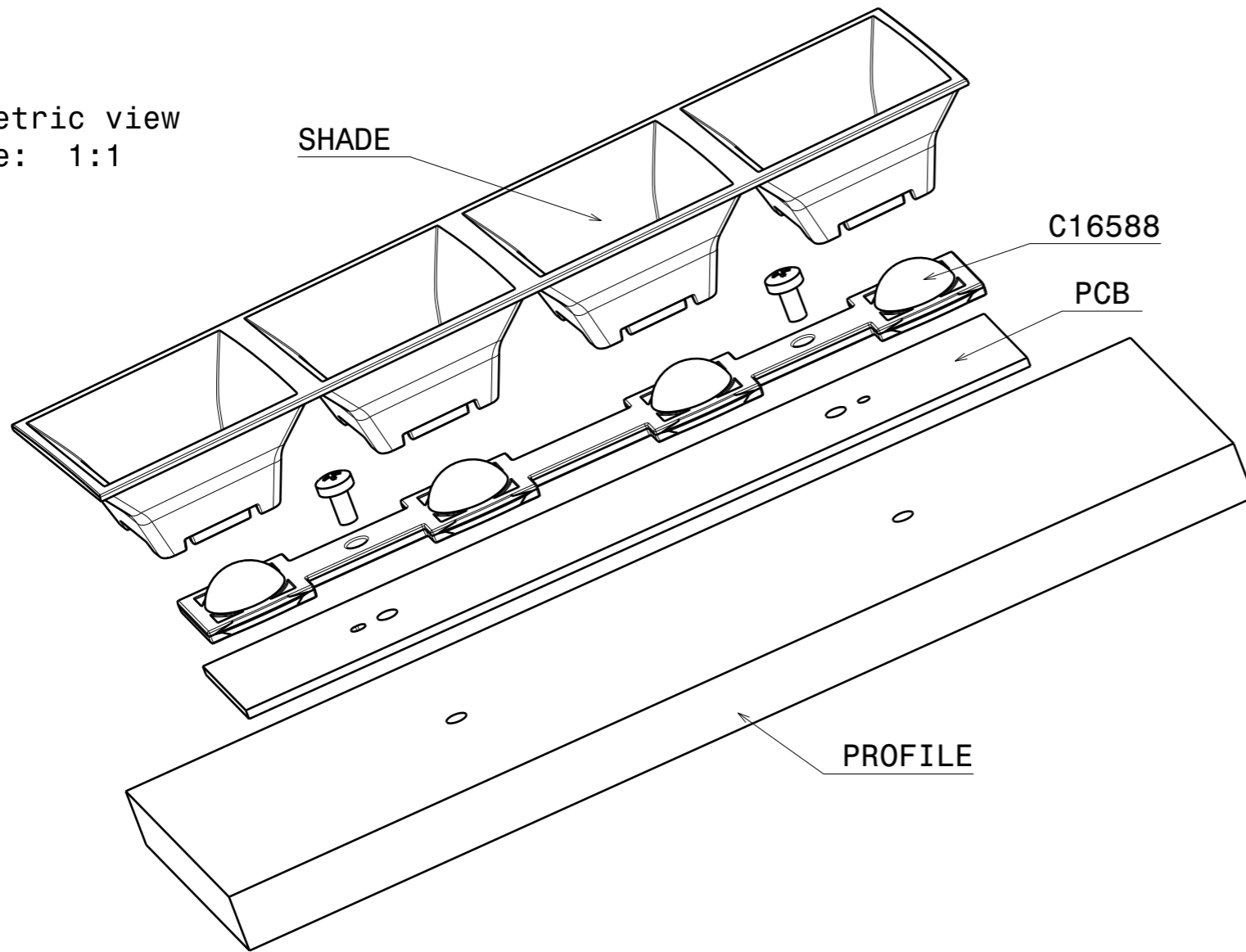
INDEX	PART	TYPE	MATERIAL	COLOR / COATING
1	C17422_DAISSY-4X1-SHD2-MATT	SHADE	PC	black
2	C16588_DAISSY-4X1-W	LENS	PMMA	clear

MECHANICAL DRAWING		LEDiL [®]
PRODUCT DAISSY		
Plastic moulding general tolerances according to DIN 16901-130 and applies if not otherwise shown in the drawing. Silicone moulding general tolerances according to ISO 3302-1 Class M3 and applies if not otherwise shown in the drawing.	FIRST ANGLE PROJECTION: 	This drawing is the property of LEDiL Oy. It may not be copied or otherwise distributed without prior written permission from LEDiL Oy.
SCALE 1:1	WEIGHT -	A3 SHEET 1/1

Notes

- PCB or heatsink level.
- LED location
- Ensure LED fitting from a product specific 3D model available from www.ledil.com
- For more details about installation please see LEDiL Installation Guide on www.ledil.com

Isometric view
Scale: 1:1



Positioning of different LED combinations



LED 1 X 5050

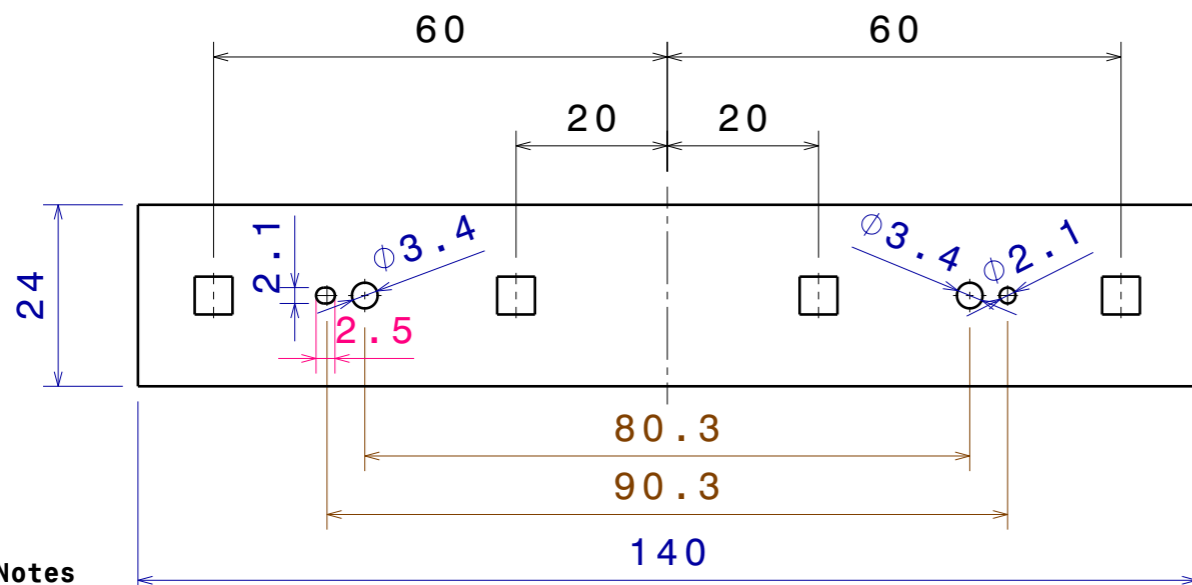


LED 2 X 5630



LED 4 X 2835

CN17425_DAISSY-4X1-W-MATT



INDEX	PART NO	TYPE	MATERIAL	COLOR / COATING
1	C17422_DAISSY-4X1-SHD2-MATT	SHADE	PC	black
2	C16588_DAISSY-4X1-W	LENS	PMMA	clear

MECHANICAL DRAWING		LEDiL®
PRODUCT DAISSY		
Plastic moulding general tolerances according to DIN 16901-130 and applies if not otherwise shown in the drawing. Silicone moulding general tolerances according to ISO 3302-1 Class M3 and applies if not otherwise shown in the drawing.	FIRST ANGLE PROJECTION: 	This drawing is the property of LEDiL Oy. It may not be copied or otherwise distributed without prior written permission from LEDiL Oy.
SCALE 1:1	WEIGHT -	A3 SHEET 1/1

Notes

Ensure LED fitting from a product specific 3D model available from www.ledil.com
For more details about installation please see LEDiL Installation Guide on www.ledil.com