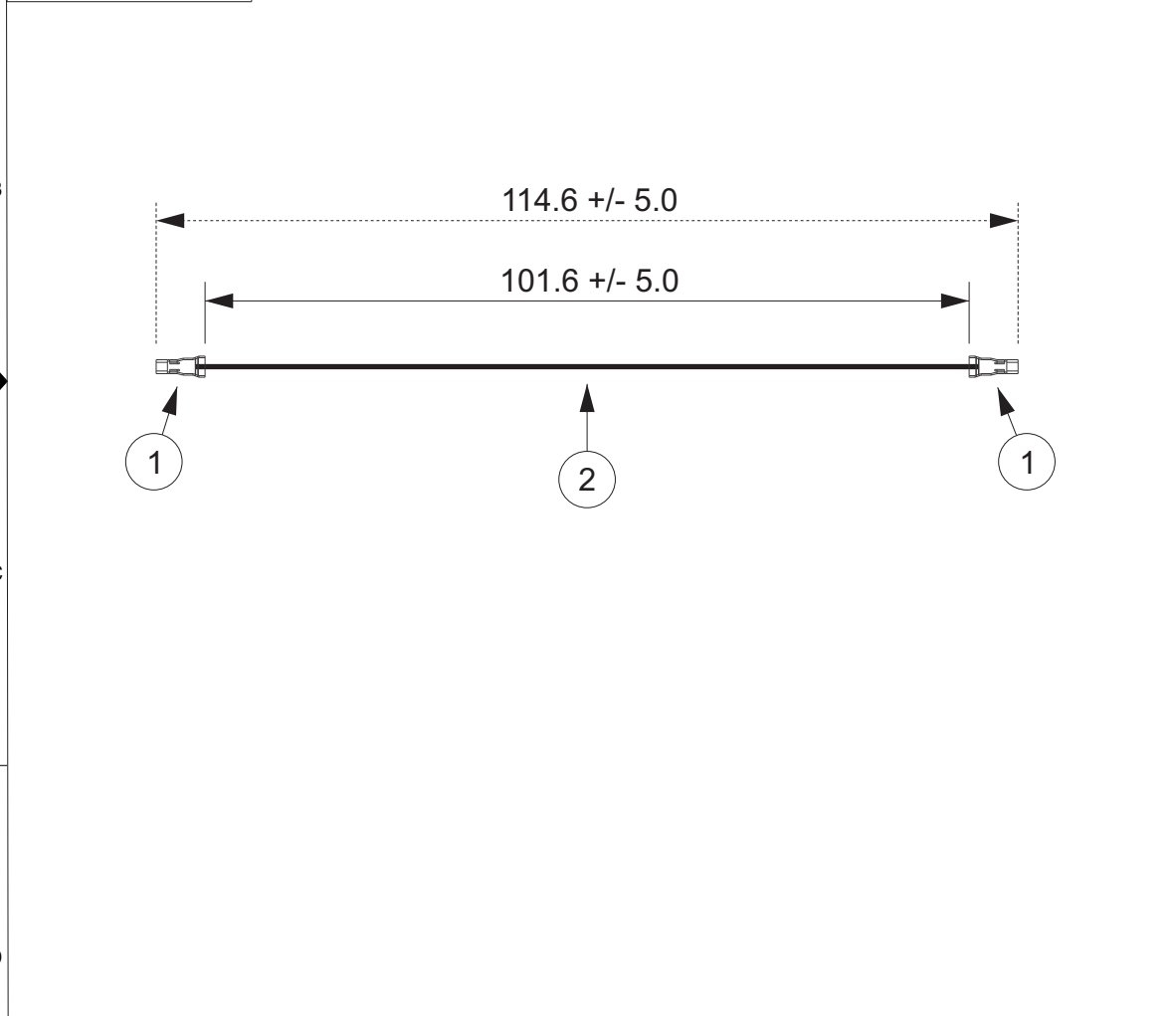


THIS DRAWING CONTAINS INFORMATION THAT IS PROPRIETARY TO J.S.T. AND SHALL NOT BE USED OR SHOWN WITHOUT WRITTEN PERMISSION.

Item No.	Part No.	Description
1	SXA-01T-P0.6	XA Connector Contact
2	UL1007, 22 AWG	Black

Electrical Specifications
Current: 3.0A AC/DC
Voltage: 250V AC/DC



ZONE	REV	DESCRIPTION	DATE	APPROVED
	1	Add Electrical Specifications	7/02/2018	LM

APPLICABLE HOUSINGS

XA SERIES		XAD SERIES	
NO. OF CIRCUITS	HOUSING PART NO.	NO. OF CIRCUITS	HOUSING PART NO.
2	XAP-02V-1	8	XADRP-08V
3	XAP-03V-1	10	XADRP-10V
4	XAP-04V-1	12	XADRP-12V
5	XAP-05V-1	14	XADRP-14V
6	XAP-06V-1	16	XADRP-16V
7	XAP-07V-1	18	XADRP-18V
8	XAP-08V-1	20	XADRP-20V
9	XAP-09V-1	22	XADRP-22V
10	XAP-10V-1	24	XADRP-24V
11	XAP-11V-1	26	XADRP-26V
12	XAP-12V-1	28	XADRP-28V
13	XAP-13V-1	30	XADRP-30V
14	XAP-14V-1	32	XADRP-32V
15	XAP-15V-1	34	XADRP-34V
20	XAP-20V-1	36	XADRP-36V
-	-	40	XADRP-40V



All dimensions are in millimeters with a default tolerance of +/- 5.0 unless otherwise specified.		CUSTOMER NAME			
		DESCRIPTION 2.5mm Pitch XA & XAD Series Standard Leads - 4" Inside Length DOUBLE END LEADS, F-F			
Drawn By: Larissa Mosley	SIZE	CUSTOMER PART NO.	PART NO.	REV	
Checked By: Steven Pilkington	SCALE 1:1	DRAWING NO. GAM-364	ASXASXA22K102	DATE 5/10/2018	