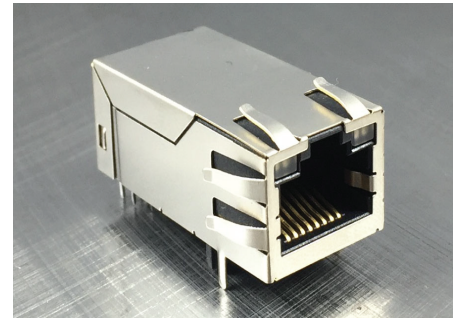




SINGLE PORT RJ45

AR11-4390I

- 10/100/1000 Base-T Gigabit for Ethernet LAN, WAN and other networking applications
- Balanced DC Current: 720mA Max @ 57 VDC continous  
1.2A Max @ 57 VDC for 200 milliseconds
- For PoE+ Applications. Compliant with IEEE802.3at
- RJ45 jack cavity conforms to FCC rules and regulations Part 68, SUB Part F
- Industrial Temp: -40°C to +85°C



Electrical Specifications @ 25°C

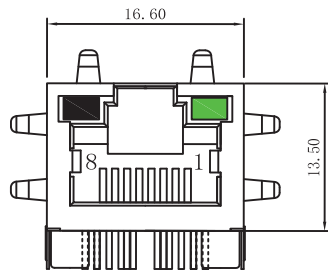
Part Number	OCL(μH Min) @ 100KHz, 0.1V With 20mA DC Bias	Turns Ratio chip: cable (± 3%)	Cross Talk (dB Min)			HI-POT (Test) (Vrms Min)
	1-30MHz		30-60MHz	60-100MHz		
AR11-4390I	350	1CT:1CT	-40	-35	-30	1500

Electrical Specifications @ 25°C

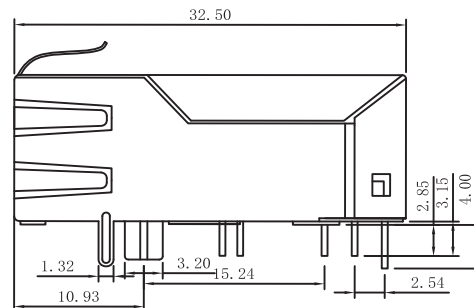
Part Number	Insertion Loss (dB Max)	Return Loss (dB Min)			CMR (dB Min)
	1-100MHz	1-30MHz	30-60MHz	60-100MHz	1-100MHz
AR11-4390I	-1.0	-18	-15	-12	-30

All specifications subject to change without notice.

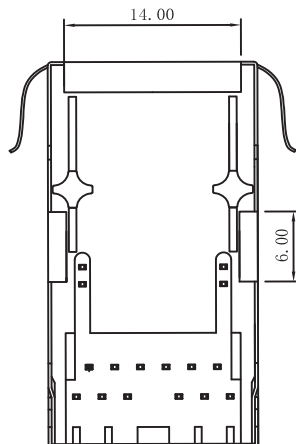
MECHANICAL



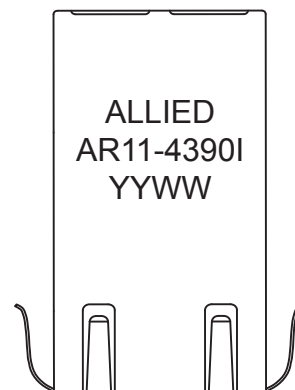
Front Side View



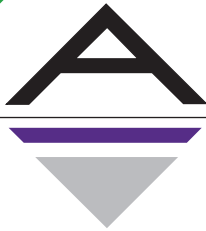
Left Side View



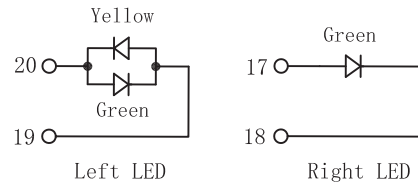
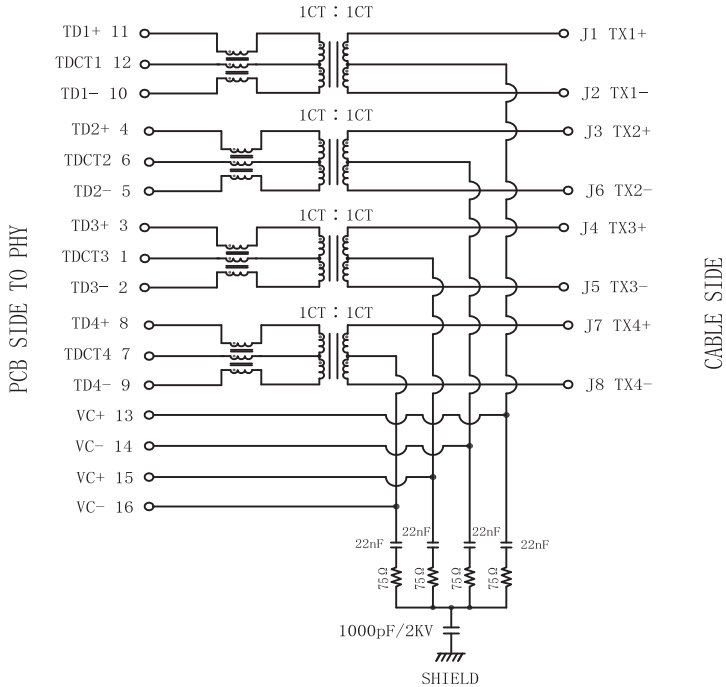
Bottom Side View



Top Side View

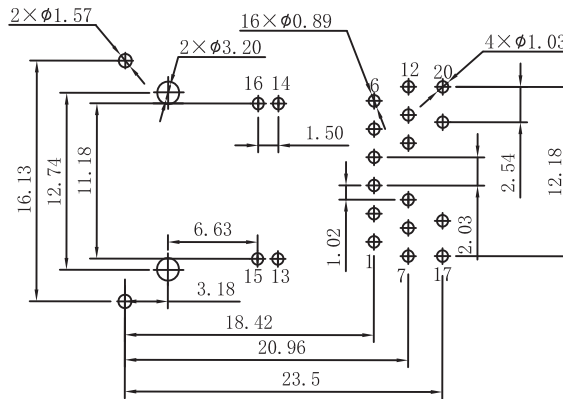


**SCHEMATICS**



Emitting Color	$\lambda$ p(nm)	V <sub>F</sub> @I <sub>F</sub> =20mA	I <sub>R</sub> @V <sub>R</sub> =5V
Green	565	1.8~2.4V	10 $\mu$ A max
Yellow	585	1.8~2.4V	10 $\mu$ A max

**PCB LAYOUT**



Suggested PCB Layout (Top View)

**NOTES**

- Connector Materials:  
 Housing: Thermoplastic UL94V-0  
 Contact/Shield: Copper alloy  
 Shield plating: Nickel  
 Contact plating: Gold 6 micro-inches min. In contact area.
- Wave solder tip temperature: 265°C Max, 5 Sec Max