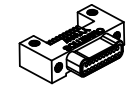
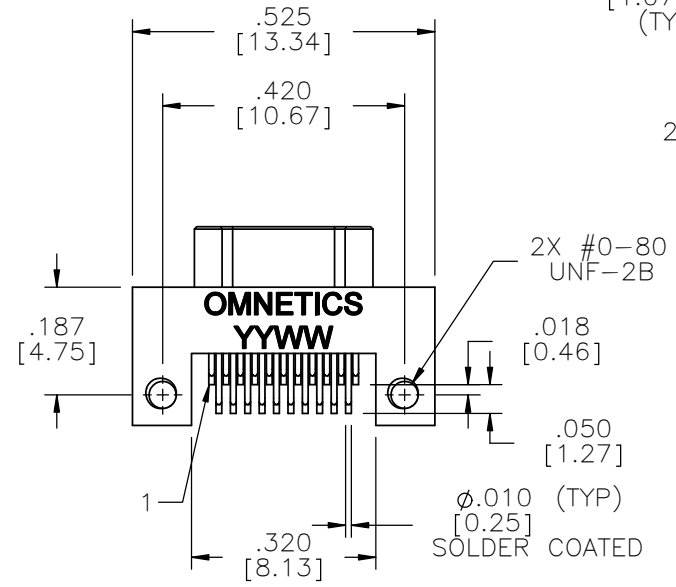
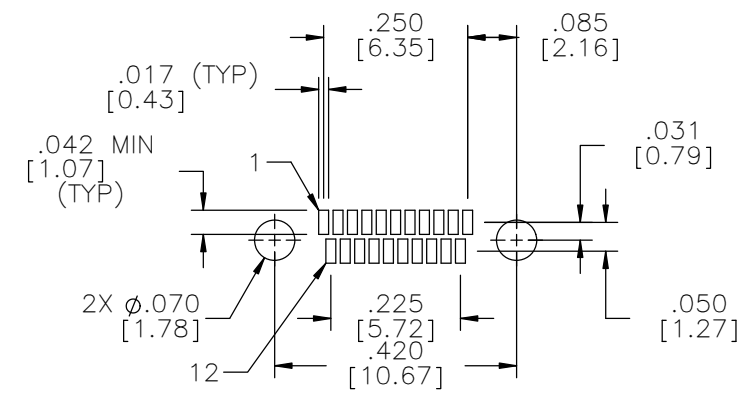
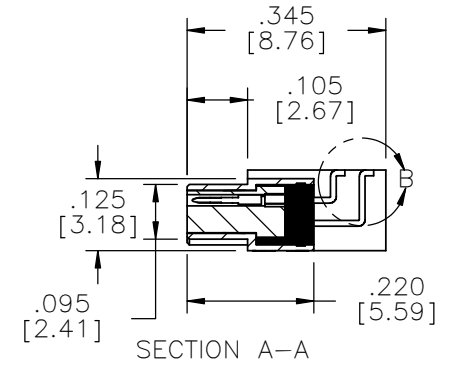
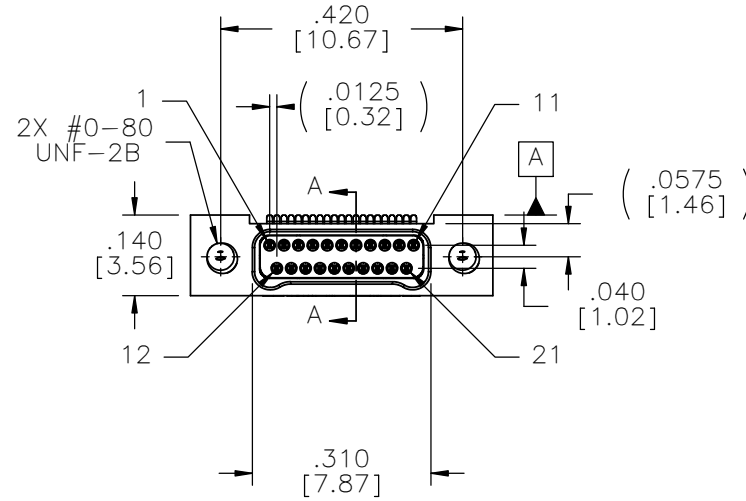


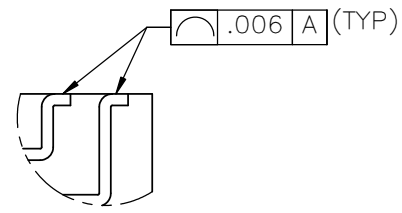
MATERIALS & SPECIFICATIONS

PART NO.	A28100-021	REV	ECO	DATE	APP
		G	96463	01-30-10	TLM

- HOUSING:**
ALUMINUM 6061-T6, NICKEL PLATE PER AMS-C-26074
- INSULATOR:**
LIQUID CRYSTAL POLYMER (LCP) PER ASTM D5138
- CONTACT:**
BERYLLIUM COPPER PER ASTM B194, C17200, GOLD PLATED PER ASTM B488, (HARD GOLD) TYPE II CODE C, CLASS 1.27
- TERMINATION:**
SOLDER COATED WITH SN63A PER J-STD-006 OR AMS-P-81728
- CURRENT RATING:**
1 AMP MAX PER MIL-DTL-32139
- CONTACT RESISTANCE:**
71 MILLIOHM MAX (71mV DROP MAX) @ 1.0 AMPS PER MIL-DTL-32139
- PERFORMANCE:**
PRODUCT FAMILY TESTED TO AND PASSED THE PERFORMANCE SPECIFICATIONS OF TABLE VIII OF MIL-DTL-32139



ACTUAL SIZE



DETAIL B
SCALE 6 : 1

MNP O SLDW	THIRD ANGLE	THIS DRAWING CONTAINS CONFIDENTIAL AND PROPRIETARY INFORMATION WHICH IS THE PROPERTY OF OMNETICS CONNECTOR CORP. THIS DOCUMENT MAY NOT, IN WHOLE OR IN PART, BE DUPLICATED, OR DISCLOSED FOR ANY PURPOSE, WITHOUT WRITTEN PERMISSION FROM OMNETICS CONNECTOR CORP.	DATE	TITLE:
	-TOLERANCES-		DATE	(21) PIN MALE
	UNLESS OTHERWISE NOTED		DATE	Bi-Lobe® CONNECTOR
	DIMENSIONS IN INCHES		DATE	
	2 PL DEC ± .01	DFTM. AAS	05-05-04	
	3 PL DEC ± .005	CHK'D.		
	4 PL DEC ± .0005	APP'D.		
	ANGLES ± 1°			

OMNETICS
CONNECTOR CORPORATION
7260 COMMERCE CIRCLE EAST
MINNEAPOLIS, MN 55432
WWW.OMNETICS.COM

CAGE CODE	61873
DWG NO.	A28100-021
SHEET 1 OF 1	REV G
SCALE:	3:1