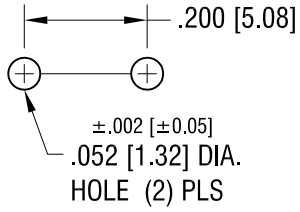
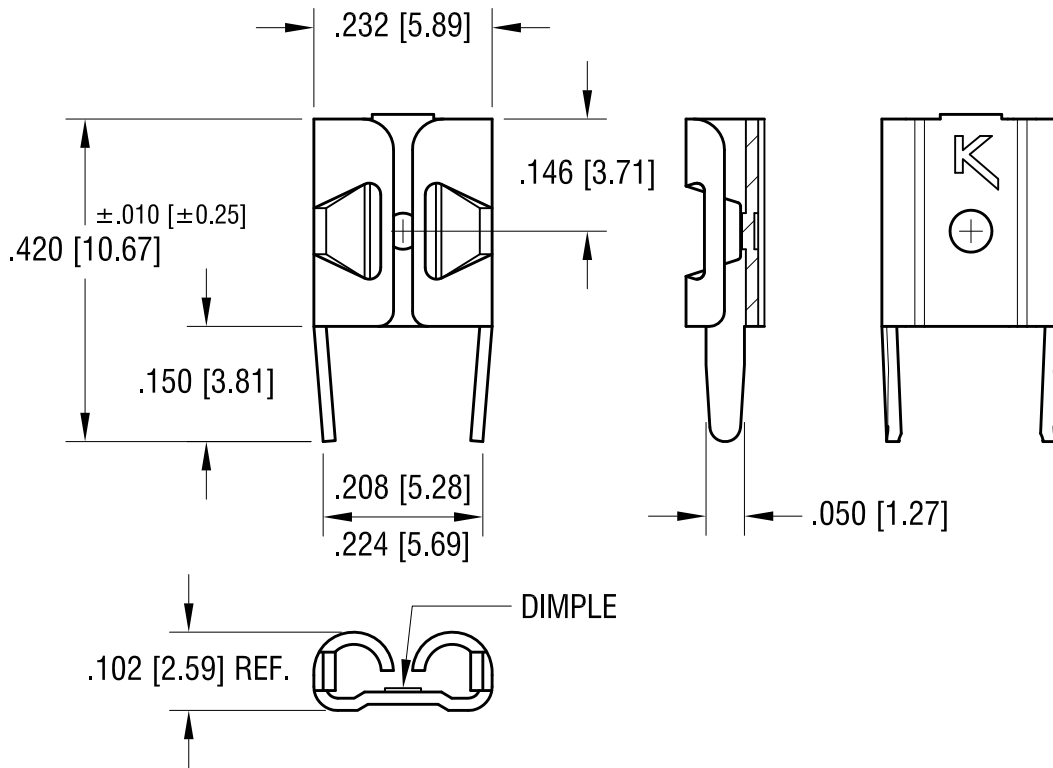


MOUNTING DETAIL



THIS DOCUMENT IS THE PROPERTY OF KEYSTONE ELECTRONICS CORP. AND SHALL NOT BE REPRODUCED, DISTRIBUTED OR USED AS A BASIS FOR MANUFACTURE WITHOUT PRIOR WRITTEN PERMISSION FROM KEYSTONE ELECTRONICS CORP.

ACTUAL SIZE



5.03.19	CHANGE AS PER ECN 19-049	F
9.11.12	CHANGE AS PER ECN 12-136	E
1.25.06	CHANGE AS PER ECN 06-010	D
DATE	DESCRIPTION	REV.

KEYSTONE ELECTRONICS CORP.			
www.keyelco.com • ASTORIA, N.Y. 11105-2017 • Tel (718) 956-8900			
PART NAME			
.187 x .030 PC QUICK-FIT TERMINAL			
MATERIAL			
.016 [0.40] TH'K BRASS			
FINISH		DRN BY	DATE
TIN NICKEL PLATE		BOONE	4.12.96
		APP'D	SCALE
		LN	4X
TOLERANCES	INCH [MM]	CODE	DWG NO.
DECIMAL	± .005 [± 0.15]	C	3551
ANGULAR	± 1°		
UNLESS OTHERWISE SPECIFIED			