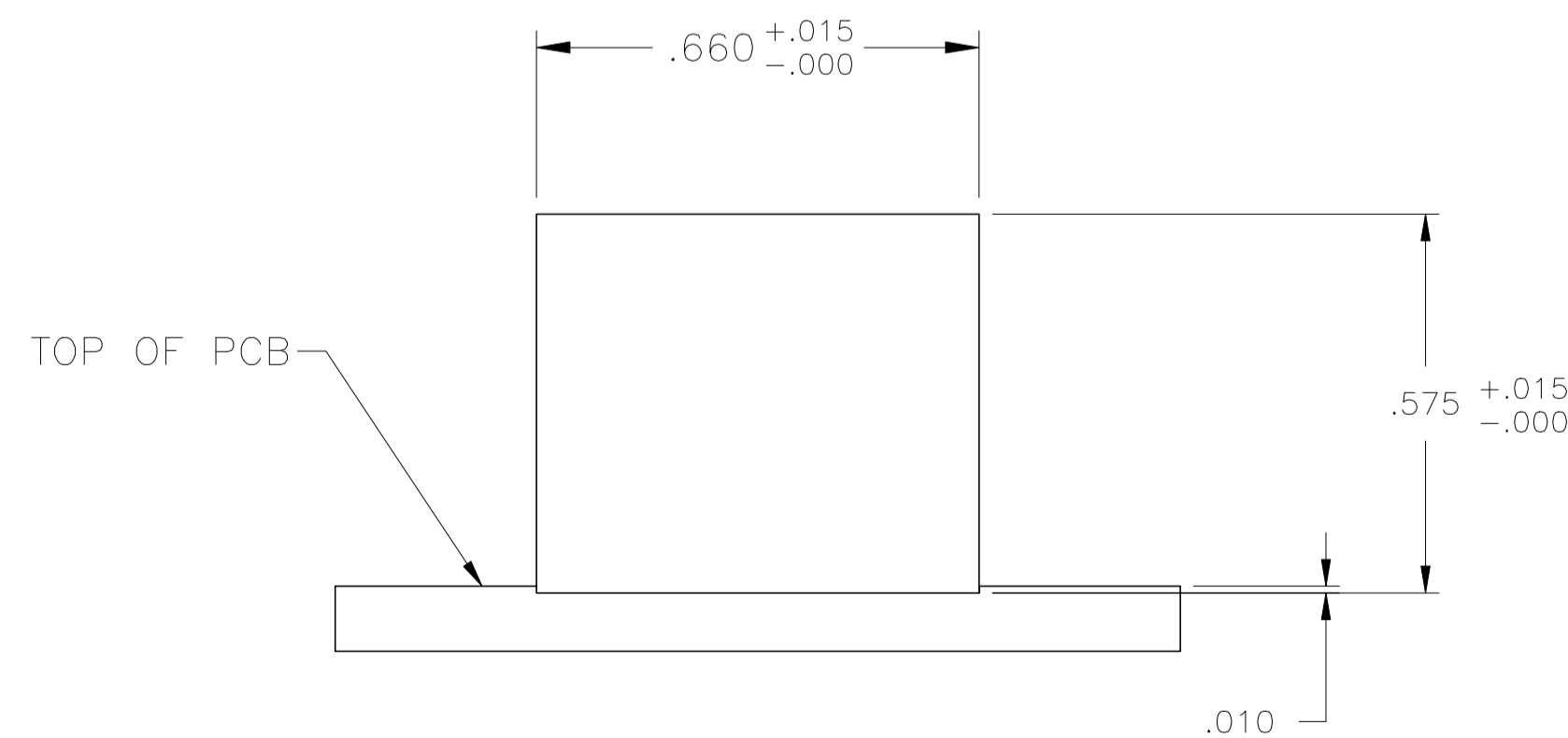
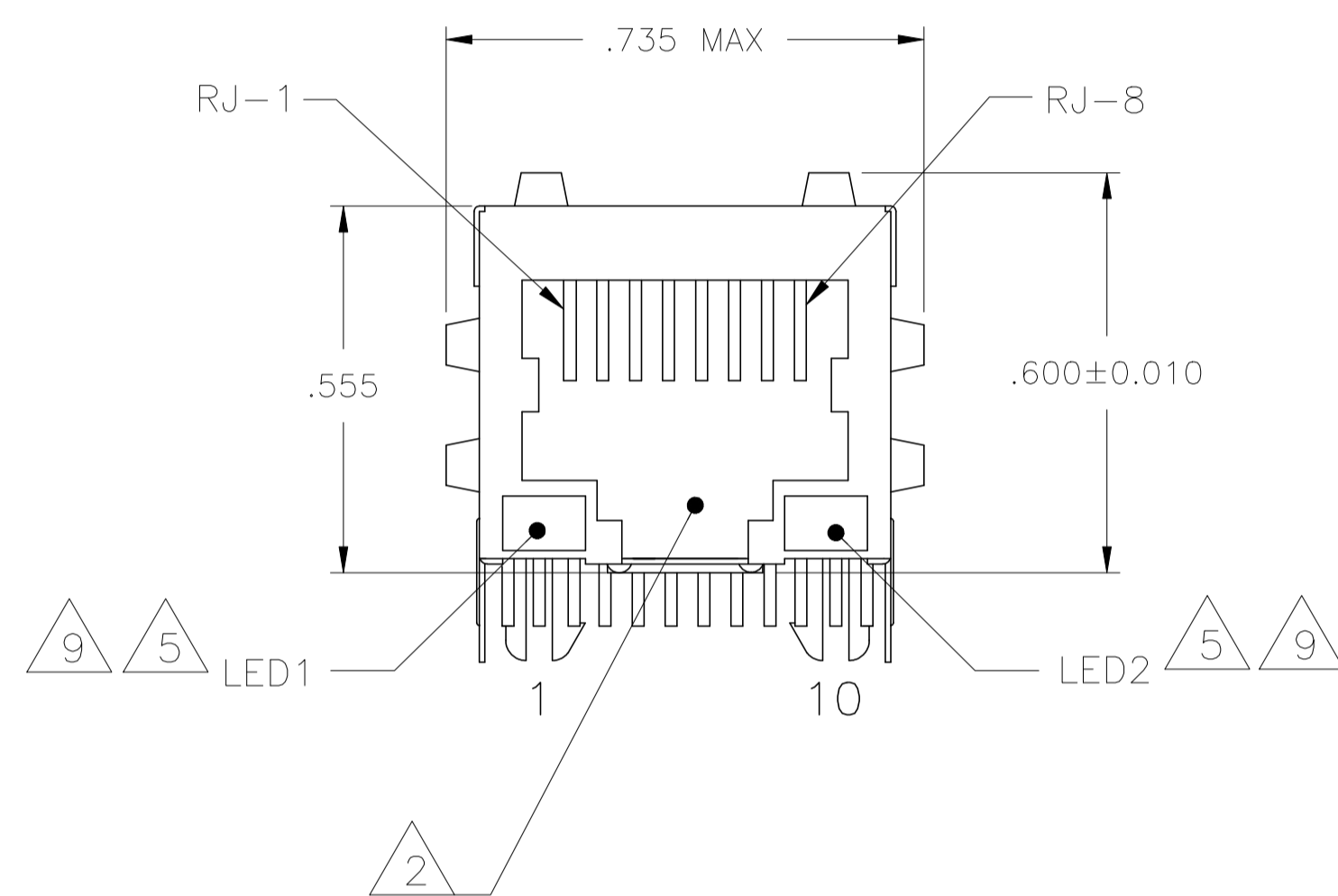
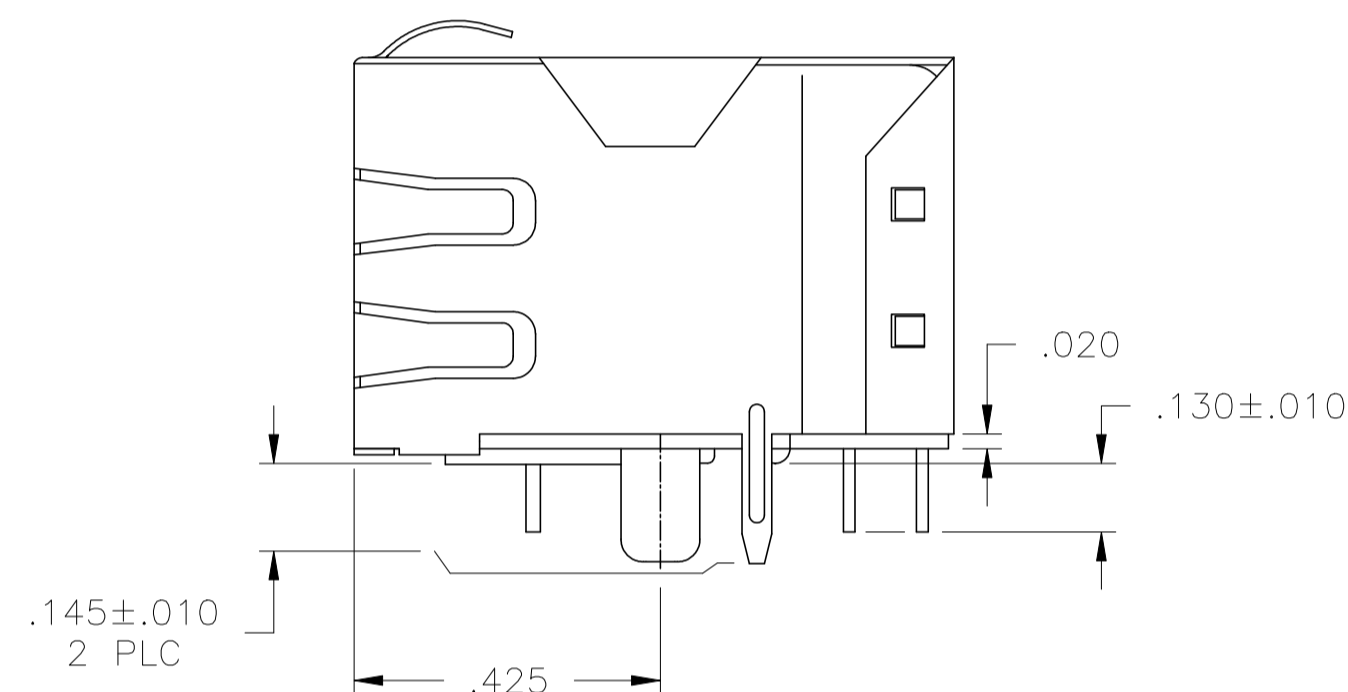
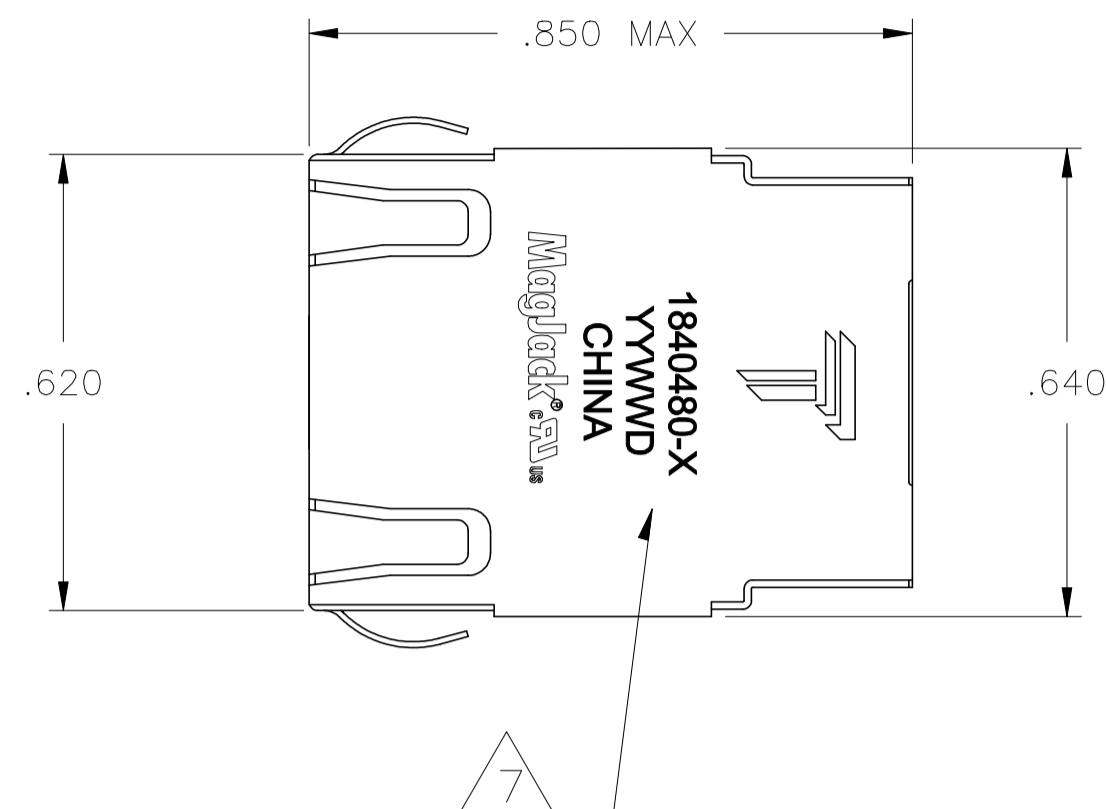


THIS DRAWING AND THE SUBJECT MATTER SHOWN THEREON ARE CONFIDENTIAL AND THE PROPERTY OF BEL/STEWART/TRP CONNECTOR AND SHALL NOT BE REPRODUCED, COPIED, OR USED IN ANY MANNER WITHOUT THE WRITTEN CONSENT OF TRP CONNECTOR.

PRODUCT MAY BE PROTECTED BY ONE OR MORE OF THE FOLLOWING US PATENTS:
 5736910 5939955 6425781 6428361 6554638 6840817 7123117
 7429195 7717749 7808751 6217391 6149050 7924130

REVISIONS				
P	REV	DESCRIPTION	DATE	APVD
F		EC-1411035 COMPANY LOGO CHANGE	14JAN2015	TL KZ

MECHANICAL:



Suggested Panel Cutout

- △ MATERIALS:
 HOUSING - THERMOPLASTIC PA46 TE250F6 POLYESTER FLAMMABILITY RATING UL 94V-0.
 SHIELD - .010" THICK, C26800 BRASS PREPLATED WITH 30µINCH SEMI-BRIGHT NICKEL. SOLDER TABS POST DIPPED WITH 100µINCH MIN SAC SOLDER.
 MOD JACK CONTACTS - 0.0157 X 0.018" PHOSPHOR BRONZE, 50µINCH MIN OVERALL NICKEL UNDERPLATE, WITH SELECT 50µINCH MIN HARD GOLD FINISH PLATE SOLDER TAILS WITH 100µINCH MIN MATTE TIN AND/OR SAC SOLDER DIP.
 LIGHT EMITTING DIODE(LED) - DIFFUSED EPOXY LENS, .020" x .020" CARBON STEEL WIREFRAME LEADS PRE-PLATED WITH 80µINCH SILVER OVER 40µINCH NICKEL UNDERPLATE OVER 40µINCH COPPER UNDERPLATE. POST-PLATED WITH 100µINCH MIN MATTE TIN AND/OR SAC SOLDER DIP OR PURE TIN SOLDER DIP.

- △ RJ45 JACK CAVITY CONFORMS TO FCC RULES AND REGULATIONS PART 68, SUB PART F.

- △ MAGNETICS
 -APPLICATION: 10/100/1000 BASE-T
 -IMPEDANCE: 100 OHMS
 -TURNS RATIO (CHIP-CABLE): 1:1 ALL FOUR PAIRS
 -OPEN CIRCUIT INDUCTANCE (OCL): 350µH MIN @100kHz, 0.1VRMS, 8mADC BIAS FROM 0°C TO 70°C, ALL FOUR PAIRS
 -ALL FOUR PAIRS BI-DIRECTIONAL
 -PERFORMANCE @ 25°C:
 INSERTION LOSS (IL): 1.1dB MAX FROM 0.5MHz TO 100MHz
 RETURN LOSS (RL): 18dB MIN FROM 0.5MHz TO 40MHz
 12-20LOG(f/80)dB MIN FROM 40.1MHz TO 100MHz
 CROSSTALK ATTENUATION: 35dB MIN FROM 0.5MHz TO 40MHz
 33-20LOG(f/50)dB MIN FROM 40.1MHz TO 100MHz
 COMMON MODE REJECTION RATIO (CMRR): 30dB MIN FROM 0.5MHz TO 100MHz
 - ISOLATION VOLTAGE: 2250VDC (MAX) FOR 60 SECONDS WITH A RISE TIME OF 500V/SEC.

- 4. OPERATING TEMPERATURE: FROM 0°C TO +70°C.

- △ LEDS WITHOUT BUILT-IN RESISTOR
 LEDS ARE DRIVEN WITH CONSTANT CURRENT AT APPROX 20 mA
 LED COLOR: DOMINANT WAVELENGTH (λD): GREEN 568 nm TYP @ IF=20 mA
 FORWARD VOLTAGE (VF): GREEN 2.2V TYP @ IF=20 mA
 DOMINANT WAVELENGTH (λD): YELLOW 588 nm TYP @ IF=20 mA
 FORWARD VOLTAGE (VF): YELLOW 2.1V TYP @ IF=20 mA

- △ INDICATED MAGNETIC CONNECTIONS ARE SYMMETRICAL TO SUPPORT AUTO-MDI/MDIX.

- △ TRP CONNECTOR LOGO, PART NUMBER, DATE CODE, COUNTRY OF ORIGIN AND AGENCY APPROVAL MARKING IN APPROXIMATE LOCATION SHOWN.

- 8. THE PART IS COMPLIANT TO BOTH WAVE SOLDERING PROCESS, PREHEAT TEMPERATURE IS 150°C ABOVE, 120 SECONDS TO 180 SECONDS, PEAK SOLDERING TEMPERATURE IS 265 °C MAX, 10 SECONDS MAX; AND IR REFLOW SOLDERING PROESS, PEAK SOLDERING TEMPERATURE 260°C MAX DURATION TIME 10 SECONDS MAX, OVER 230 °C WITHIN 40 SECONDS TO 60 SECONDS.

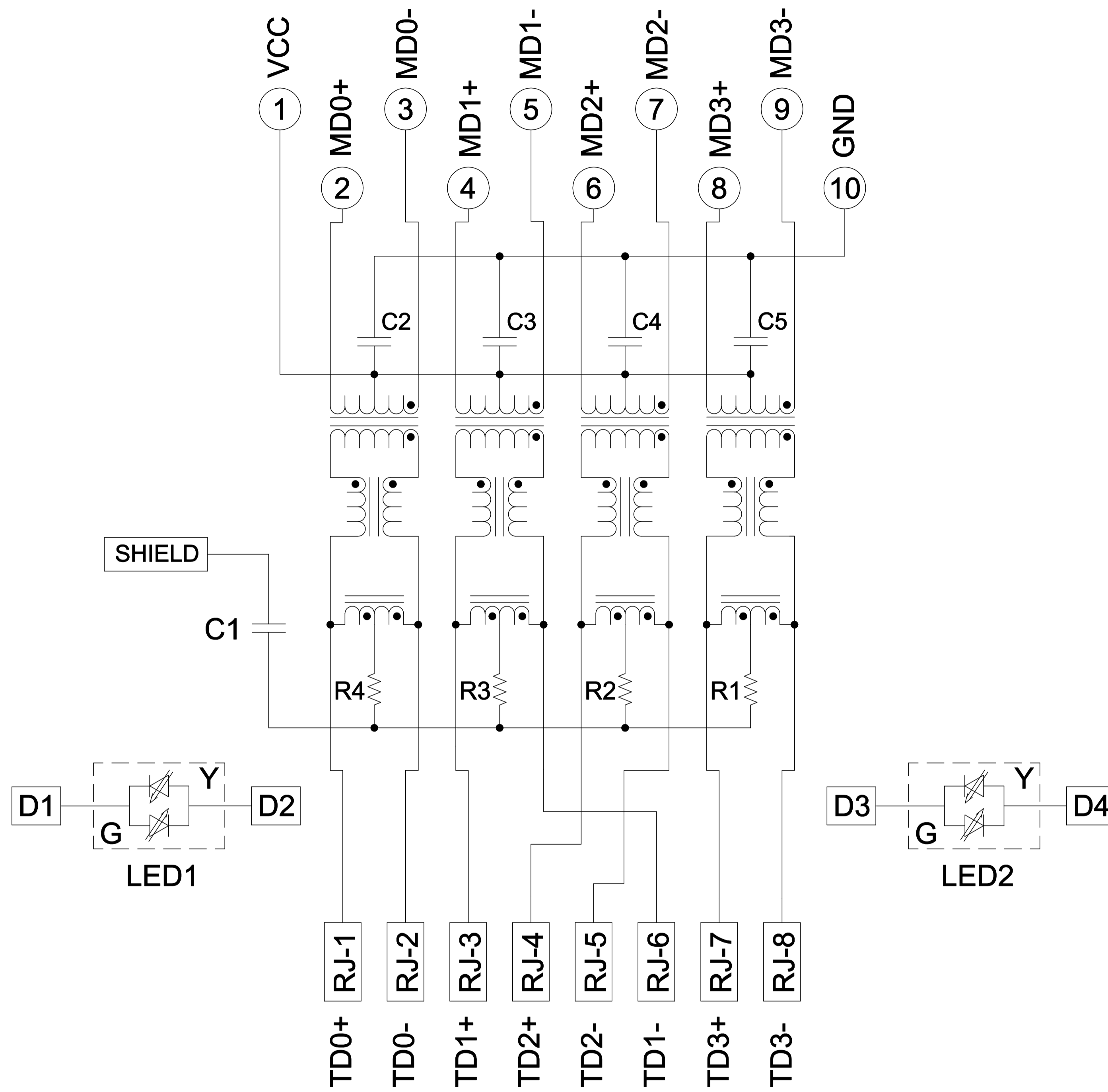
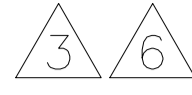
- △ LED LENS ARE RECESSED TO SHIELD SURFACE

GREEN/YELLOW LED1	GREEN/YELLOW LED2	1840480-6
		PART NUMBER

THIS DRAWING IS A CONTROLLED DOCUMENT.		25AUG2009	DONGGUAN CHINA	
DIMENSIONS: INCHES		CHK: QUINTIN LIU	trp CONNECTOR	
TOLERANCES UNLESS OTHERWISE SPECIFIED:		APVD: LIJUN RAO	1X1 4G05P1 GIGABIT TAB DOWN W/ LED	
0 PLC ± -	1 PLC ± -	MODEL NAME: MAGJACK		
2 PLC ± .010	3 PLC ± .005	SIZE: A1		
4 PLC ± -	ANGLES ± -	CAGE CODE: C=1840480		
PRODUCT SPEC: 108-104004	APPLICATION SPEC: -	RESTRICTED TO: -		
CUSTOMER DRAWING		SCALE: NTS	SHEET: 1 OF 2	REV: F

ELECTRICAL:

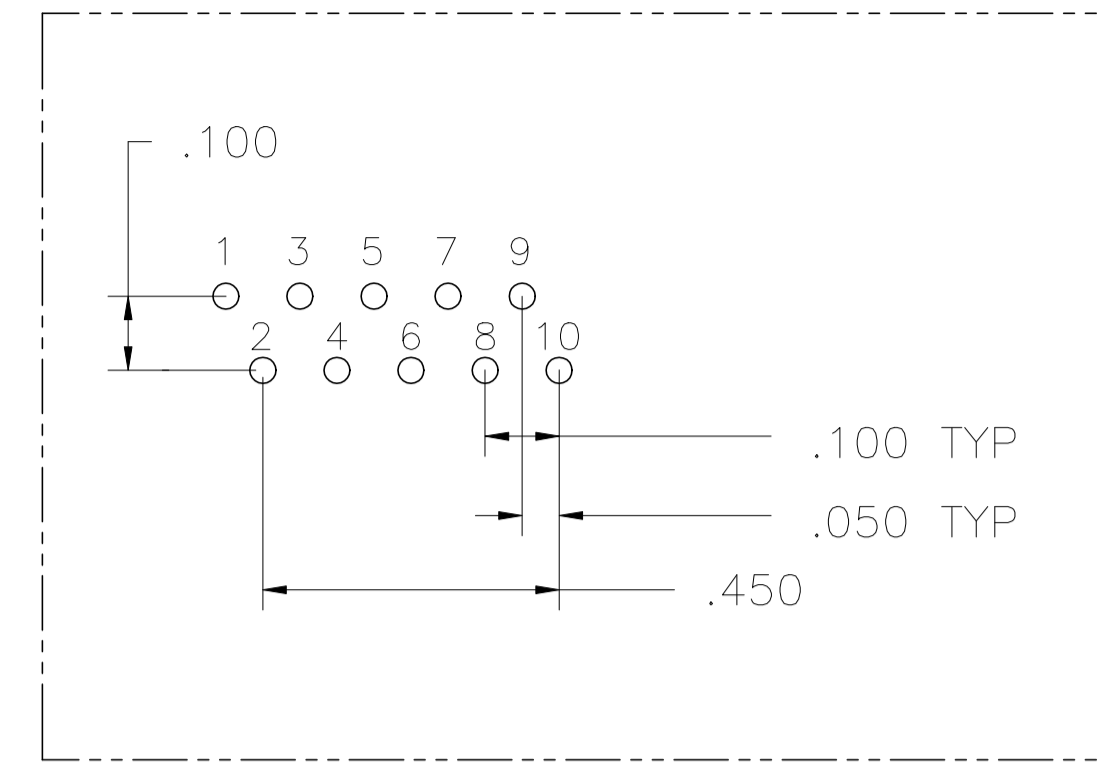
4G05P1 Series GIGABIT Magnetic Circuit



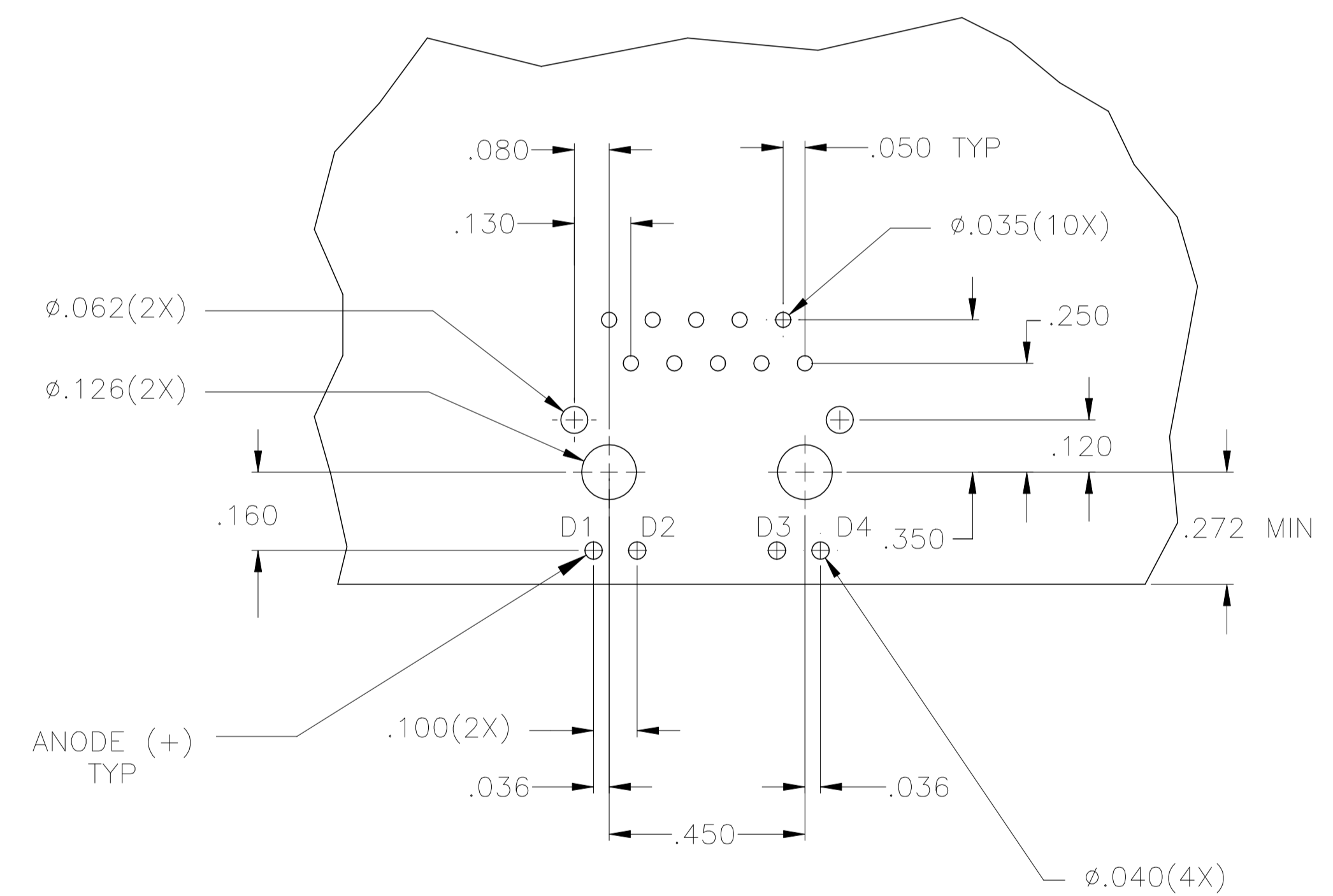
C1 =1000 pF, 2kV CAPACITOR

R1-R4 = 75 OHMS, 1/16 W RESISTORS

C2-C5 = 0.1uF, 50V, X7R CAPACITORS



Pin Designations



**Suggested PCB Layout
(Component Side)**

THIS DRAWING IS A CONTROLLED DOCUMENT.		OWN V KIN LEE 25AUG2009	 DONGGUAN CHINA
DIMENSIONS: INCHES		CHK QUENTIN LIU 25AUG2009	
TOLERANCES UNLESS OTHERWISE SPECIFIED: 0 PLC ± - 1 PLC ± - 2 PLC ± .010 3 PLC ± .005 4 PLC ± - ANGLES ± - APPLICATION SPEC -		APVD LIJUN RAO 25AUG2009	DESC 1X1 4G05P1 GIGABIT TAB DOWN W/ LED
PRODUCT SPEC 108-104004		MODEL NAME MAGJACK	SIZE A1
		CAGE CODE SINGLE NON-POE	DRAWING NO C=1840480
		CUSTOMER DRAWING	RESTRICTED TO -
		SCALE NTS	SHEET 2 OF 2
			REV F