

1

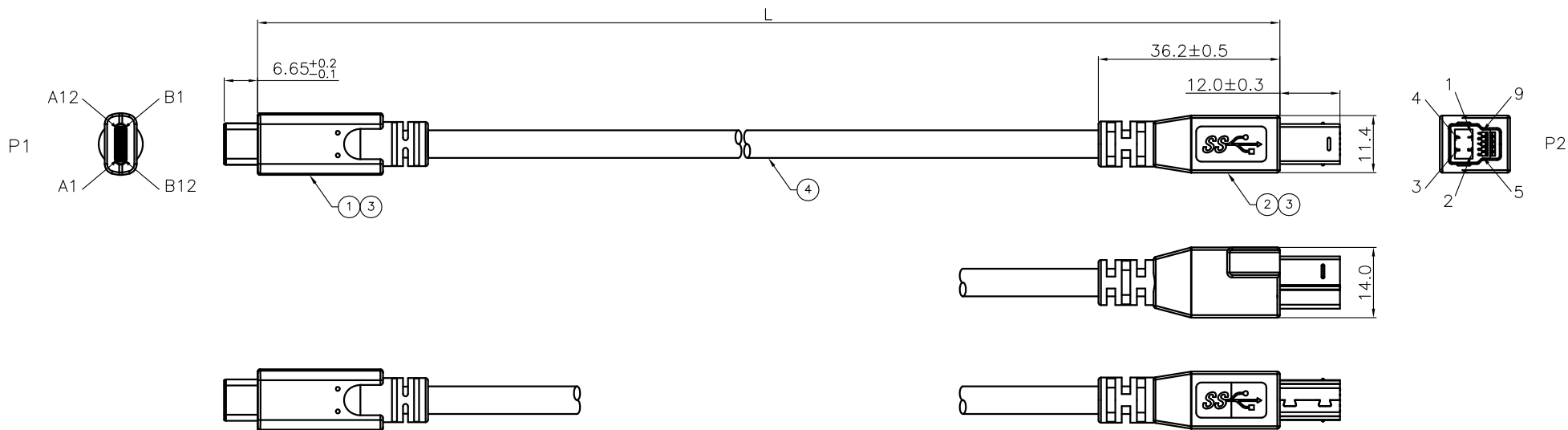
2

3

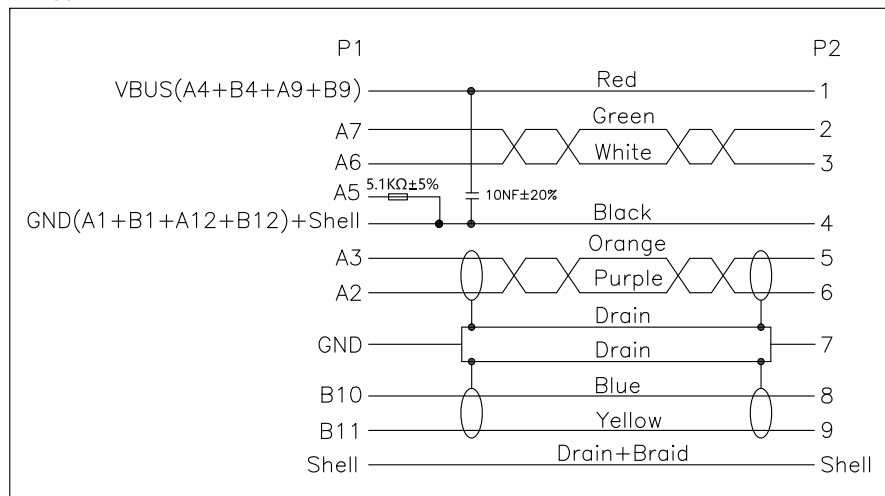
4

5

RoHS Compliant



PIN OUT:



| P/N | L |
|---------------------|---------|
| 105-1030-BL-00050-1 | 500±20 |
| 105-1030-BL-00100-1 | 1000±30 |
| 105-1030-BL-00200-1 | 2000±50 |
| 105-1030-BL-00300-1 | 3000±50 |
| 105-1030-BL-00500-1 | 5000±50 |

| ITEM | DESCRIPTION | SPECIFICATION | Q'TY |
|------|---------------|---|------|
| 1 | Conn. | Type C Contact Gold Plated 3u", Insulator Black, OTG Rd=5.1kΩ, C1=10nf +Cable Clamp+Shell | 1 |
| 2 | Conn. | USB3.0 B/M Contact G/F, Insulator Blue+Cable Clamp+Shell | 1 |
| 3 | Outer molding | 45P PVC Color:Black | A/R |
| 4 | Cable | 7/0.12TS+PEF, ID:0.90*2C+D7/0.12TS+AL+M)*2P+(7/0.12TS+HDPE, ID0.7*1P)+(7/0.2TS+PVC ID:1.05*2C)+(PP 3800X2)+AL+D7/0.12BS+96/0.12ALMAG+PVC OD:5.5mm Black | A/R |

| | | | |
|-----|-------------|------|--------|
| F | | | |
| E | | | |
| D | | | |
| C | | | |
| B | | | |
| A | 25-Aug-2022 | | Andrew |
| REV | DATE | FILE | BY |

DRAWN:

CHECKED:

APPROVAL:

GENERAL TOLERANCE:
.X=±0.3
.XX=±0.15

UNIT: MM

SCALE: 1:1

SHEET: 1/1

PROJECTION:

CnC Tech
Industrial Cable and Connector Technology

DESCRIPTION:

TYPE C M TO USB3.0 B M CABLE

PART NO:

105-1030-BL-00XXX-1

SIZE

A4