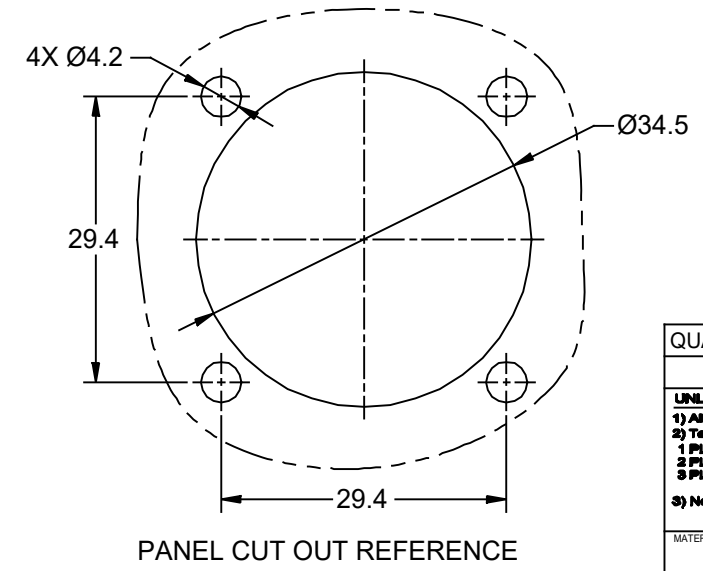
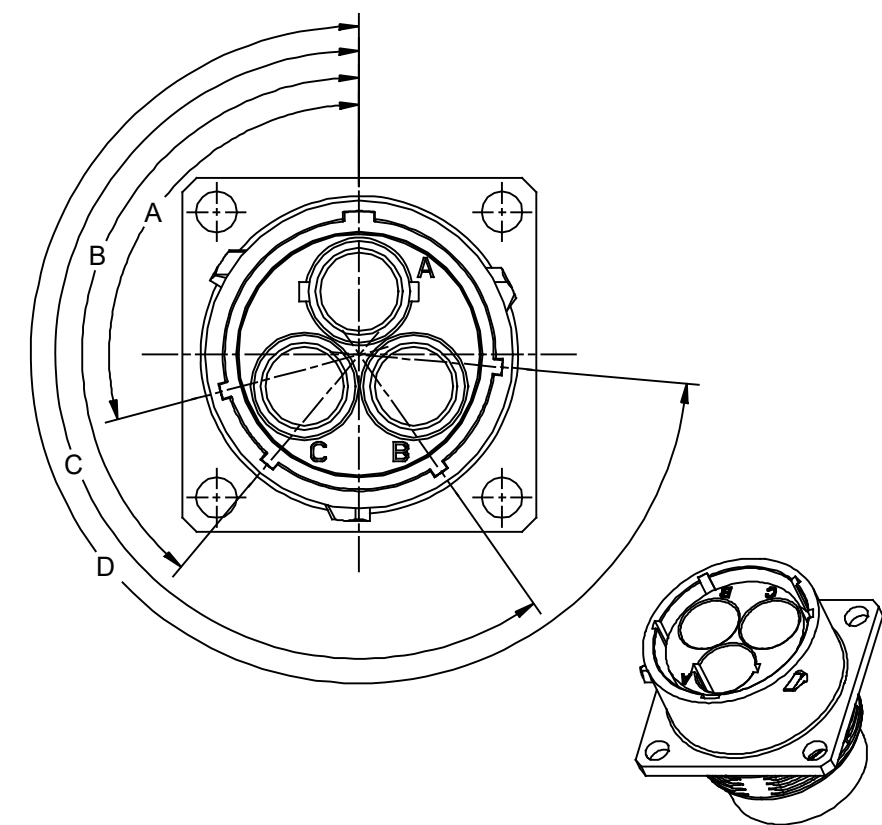
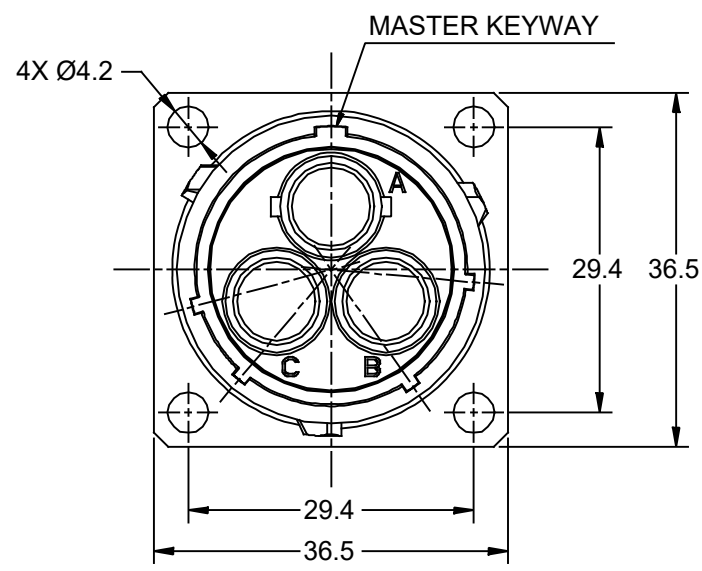
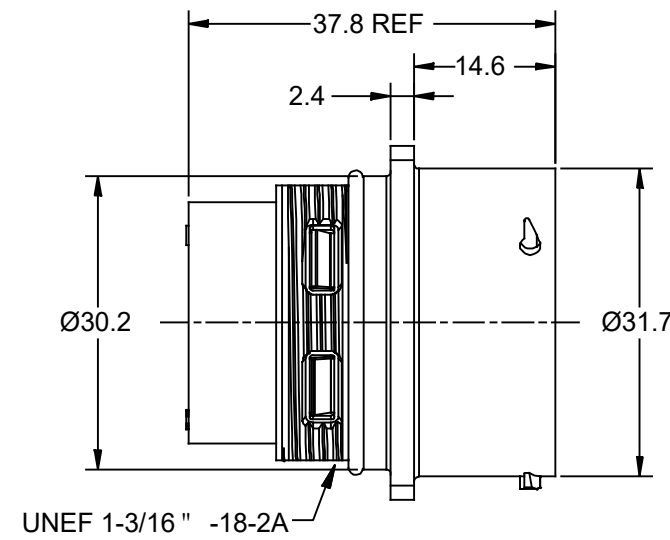


REVISIONS					
REV	ECO	DESCRIPTION	DATE	BY	APPR
A1	-	RELEASED DRAWING	Sep-25-2020	Ronald	Tommy



KEY POS	PART NUMBER	A	B	C	D
N	RTHP0203PNH	105°	140°	215°	265°
W	RTHP0203PWH	79°	140°	215°	265°
X	RTHP0203PXH	105°	126°	215°	265°
Y	RTHP0203PYH	105°	140°	215°	259°
Z	RTHP0203PZH	105°	140°	215°	330°

- NOTES:
- MATERIAL:
    - HOUSING BODY: ZINC DIE- CAST, NICKEL PLATED
    - INSULATION INSERT: PA66 ,UL94 V0
    - SEAL: SILICONE RUBBER
  - SPECIFICATIONS:
    - CURRENT RATING: 86 AMPS MAX.
    - VOLTAGE RATING: 630 V A C/DC
    - OPERATING TEMPERATURE: -40°C TO +125°C
    - DIELECTRIC WITHSTANDING VOLTAGE: LESS THAN 2 MILLIAMPS CURRENT IEAKAGE @ 5000 VOLTS AC
    - DEGREE OF PROTECTION: I P67 (MATED CONDITION)
    - DEGREE OF POLLUTION: 3 PER UL840
    - OVERVOLTAGE CATEGORY: I II PER UL840
    - MATING CYCLE DURABILITY : >100 CYCLES
    - RoHS COMPLIANT
  - ALL DIMENSIONS ARE FOR REFER ENCE USE ONLY.
  - \*\*\* DENOTE KEY POSTION OF "N ", "W", "X", "Y" OR "Z".

QUANTITY	PART NUMBER	DESCRIPTION	ITEM
<b>MATERIALS LIST</b>			
<b>UNLESS OTHERWISE SPECIFIED</b> 1) All dimensions are in metric(mm). 2) Tolerances are as follows: 1 PL DEC ±0.25 2 PL DEC ±0.15 3 PL DEC ±0.05 3) Note reference =		<b>SIGNATURES</b> DRAWN: <b>Ronald</b> Sep-25-2020 CHECKED: <b>Tom</b> Sep-27-2020 ENGINEER: APPROVAL: <b>Tommy</b> Sep-28-2020 CUSTOMER:	<b>DATE</b> Sep-25-2020 Sep-27-2020 Sep-28-2020
MATERIAL SPECIFICATIONS:  PROCESS SPECIFICATIONS:		<b>Amphenol</b> Sine Systems - www.amphenol-sine.com 44724 Morley Drive Clinton Township, MI 48036 3 POSITION SQUARE FLANGE RECEPTACLE, SIZE 8 (3.6MM), MALE, SHELL SIZE #20, HIGH AMPERAGE 630V	
NEXT ASSY:		THIS DRAWING IS SUPPLIED FOR INFORMATION ONLY. DESIGN FEATURE SPECIFICATIONS AND PERFORMANCE D SHOWN HEREON ARE THE PROPERTY OF THE AMPHENOL CORPORATION. NO RIG OF REPRODUCTION ARE IMPLIED. ALL DIMENSIONS ARE SUBJECT TO NORMAL MANUFACTURING VARIATIONS.	S. ATA HTS <b>SIZE</b> B <b>C-</b> <b>DWG NO:</b> RTHP0203P*H <b>REVISION:</b> A1 SCALE: NONE SHEET 1 OF 1

TITLE: SQUARE FLANGE RECEPTACLE 3 POS SIZE 20  
 DWG NO: RTHP0203P\*H  
 REV: A1  
 SH: 1  
 OF: 1