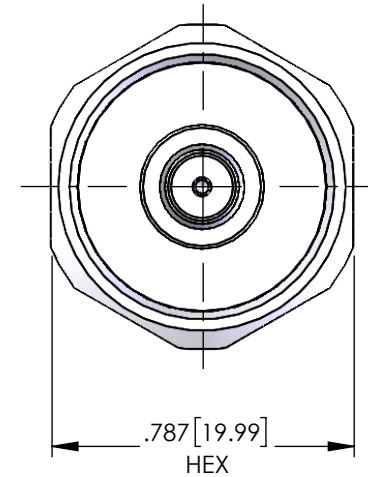
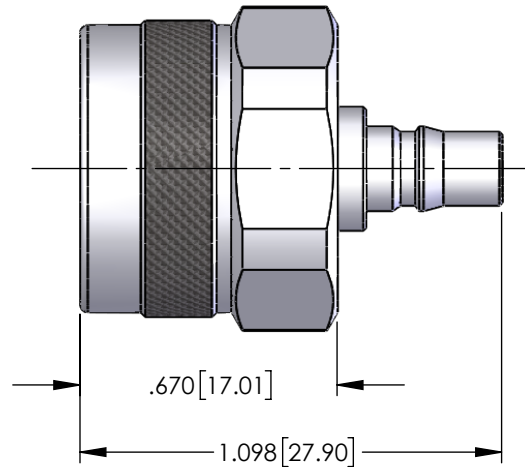
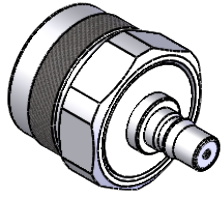


RQA-5478

REV	DESCRIPTION	DATE	APPR
A	CHANGED CONTACT PIN - ECO/ECN# 1002	12/04/17	JDM



SPECIFICATIONS:

IMPEDANCE: 50 Ohms
 FREQUENCY RANGE: 0-6 GHz
 3RD ORDER IM: ≤155dBc @ 1900 MHz
 VSWR: 1.25 MAX.
 INSULATION RESISTANCE: 5k M Ohms min.
 TEMPERATURE RANGE: -65°C TO 165°C
 MATING CYCLES: > 100

#	DESCRIPTION	QTY	PART NUMBER	MATERIAL	FINISH
6	N SHELL	1	012-10M-006-BT	Brass	WHITE BRONZE
5	N GASKET	1	028-10M-004-LR	Rubber	N/A
4	N RETAINING RING	1	027-10M-005-PT	PHOS. BRONZE	WHITE BRONZE
3	INSULATOR	1	010-54X-001-TX	PTFE	NONE
2	QMA-SMA PIN	1	009-50X-001-CS	BeCu	SILVER
1	QMA-SMA BODY	1	001-50X-001-BW	Brass	WHITE BRONZE

ROHS COMPLIANT	
UNLESS OTHERWISE SPECIFIED:	
DIMENSIONS ARE IN INCHES	
ALL DIMENSIOS ARE FOR REFERENCE ONLY	
CABLE GROUP	N/A
CODE	

	NAME	DATE
DRAWN	C. ZUNIGA	12/04/17
CHECKED		
ENG APPR.		

PROPRIETARY AND CONFIDENTIAL

THE INFORMATION CONTAINED IN THIS DRAWING IS THE SOLE PROPERTY OF RF INDUSTRIES. ANY REPRODUCTION IN PART OR AS A WHOLE WITHOUT THE WRITTEN PERMISSION OF RF INDUSTRIES IS STRICTLY PROHIBITED.

RF INDUSTRIES 7610 MIRAMAR RD. SAN DIEGO, CA. 92126 858-549-6340 FAX 858-549-6345		
TITLE: QMA JACK TO N PLUG ADAPTER		
SIZE A	DWG. NO. RQA-5478	REV A
SCALE: NTS	NOTES:	SHEET 1 OF 1