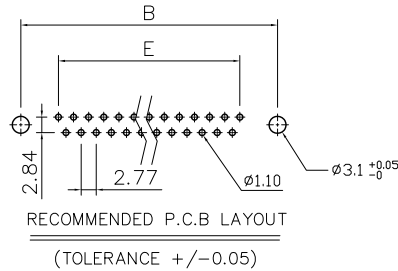
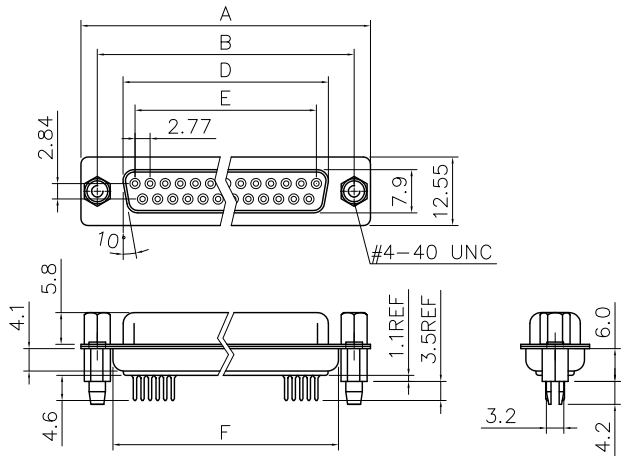


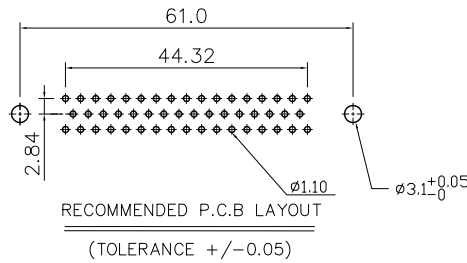
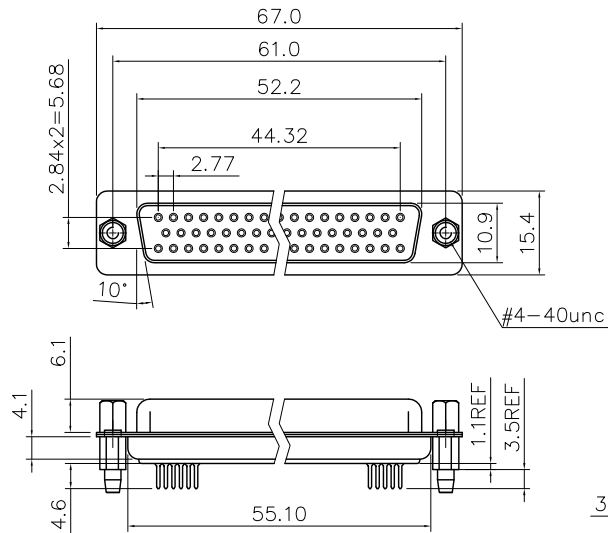
This document is the property of Amphenol Corporation and is delivered on the express condition that it is not to be disclosed, reproduced or used, in whole or in part, for manufacture or sale by anyone other than Amphenol Corporation without its prior consent, & that no right is granted to disclose or to use any information in this document.

Customer drawing



DIMENSION TABLE

| POSITIONS | A | B | D | E | F |
|-----------|-------|-------|-------|-------|-------|
| 9 | 30.81 | 24.99 | 16.33 | 11.08 | 19.20 |
| 15 | 39.20 | 33.30 | 24.70 | 19.39 | 27.70 |
| 25 | 53.05 | 47.04 | 38.40 | 33.24 | 41.10 |
| 37 | 69.40 | 63.50 | 54.80 | 49.86 | 57.30 |



50 POSITIONS



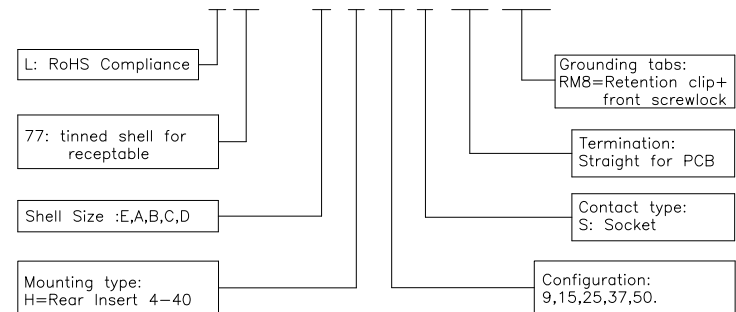
| REVISIONS | | | | |
|-----------|------|-----------------------|----------|----------|
| SYM | ECN | DESCRIPTION | DATE | APPROVED |
| 1 | HK-- | First Release Drawing | 08/28/08 | IP |
| 2 | HK-- | Update the Drawing | 11/01/08 | IP |
| 3 | HK-- | Update the Drawing | 02/28/14 | IP |
| 4 | HK-- | Add dimension on tail | 06/09/14 | IP |

D-SUB TECHNICAL DATA

SHELL : Steel, 100u" Tin Over 50u" min nickel over 50u" min Copper
 BODY : Glass-Filled Thermoplastic PBT, UL94V-0
 CONTACTS : Copper alloy
 Gold flash over 50u" nickel on mating area
 100u" tin over 50u" nickel on solder area
 BOARDLOCK: Brass, Tin Plated.
 SCREWLOCK: Brass, Nickel Plated.
 ELECTRICAL : Voltage rating 250 VAC/RMS
 Current Rating 3 AMP
 Withstanding Voltage >1000 VAC/RMS
 Insulation resistance >1000 M Ohms
 Contact resistance 20 mOhms max
 MARKING : Amphenol...(Series No.)
 Commercial reference
 Manufacturing date

PRODUCT CODE

L 77 SD X H XX S OL2 RM8



| UNLESS OTHERWISE SPECIFIED TOLERANCES | | APPROVAL | | DATE |
|---------------------------------------|--------|---------------------|-----------|----------|
| U.S. | METRIC | DRAWN | Checked | |
| .X +/- | 0.50 | Felix Liu | Tony Tang | 06/09/14 |
| .XX +/- | 0.30 | | | |
| .XXX +/- | 0.20 | | | |
| FRACTIONS +/- | 5' | | | |
| ANGLES +/- | | | | |
| FOR MATERIALS AND FINISHES SEE NOTES | | DRAWING FILE : | | |
| REMOVE SHARP EDGES | | ANGLE OF PROJECTION | | |
| DIMENSIONS | | | | |
| U.S. | INCHES | | | |
| METRIC | MM | | | |

| | | | |
|----------------------------|------------------|----------------------------|--|
| Amphenol | | Amphenol East Asia Limited | |
| TITLE | | | |
| D-sub, Straight, SD series | | | |
| SIZE | DRAWING NO. | REV. | |
| A4 | L77SDXHXXSOL2RM8 | 4 | |
| SCALE | NONE | SHEET 1 OF 1 | |