

Material And Finish

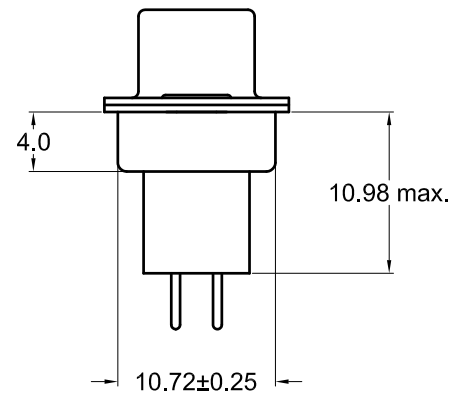
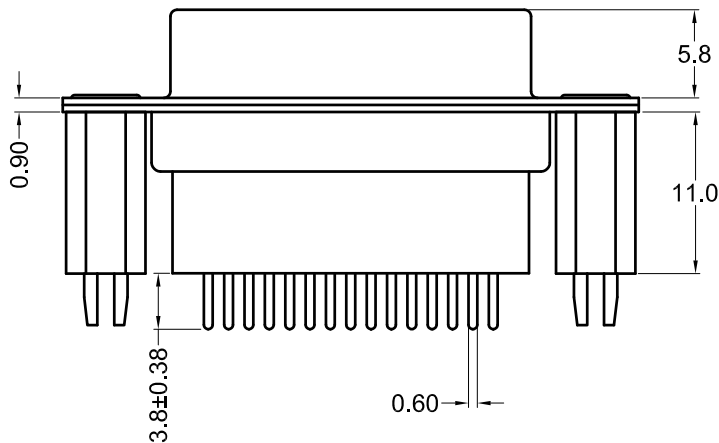
Shell: Steel, Nickel plated
 Insulator: PBT with glass-fiber reinforcement, UL 94V-0 rated, color-black

Contact Material:
 Socket - Phosphor Bronze

- Plating Options:
- (Standard) Gold flash on mating end, tin on termination end with nickel underplate
 - 15: 15 u" Gold on mating end, tin on termination end with nickel underplate
 - 30: 30 u" Gold on mating end, tin on termination end with nickel underplate

Electrical Specifications

Rated Current: 2A
 Rated Voltage: 30V RMS
 Dielectric Withstanding Voltage: 500 V (rms) AC for 1 minute
 Insulation Resistance: more than 1000 Megohm at 500 V DC
 Contact Resistance: 13 milliohm max.
 Temperature Rating: -55°C to +105°C



boardlocks not shown in this view

| Part Number | Contact Area Plating Finish |
|------------------|------------------------------|
| K88X-AD-15S-BR | Gold Flash (standard option) |
| K88X-AD-15S-BR15 | 15u" Gold (15 option) |
| K88X-AD-15S-BR30 | 30u" Gold (30 option) |

RoHS COMPLIANT

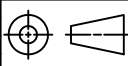


| Tolerances |
|-------------------------|
| X.X ± 0.25 |
| X.XX ± 0.15 |
| Unless Stated Otherwise |

| REV. | DATE | DESCRIPTION | REV. BY | CHK. BY | DRAWN BY | DATE |
|------|----------|-------------|------------|-------------|------------|----------|
| A1 | 02/14/06 | New Drawing | R. Aguirre | H. MA | R. Aguirre | 02/14/06 |
| A2 | 1/24/08 | ECO# 07-052 | WILL H. | H. MA | | |
| A3 | 12/08/10 | ECO# 10-091 | S. Vien | H. MA | | |
| A4 | 12/31/17 | ECO #17-035 | G. Serrato | C. Furumasu | | |

K88X-AD-15S-BR

Vertical PCB Mount D-Sub Connector, RoHS Compliant
 Precision Formed Contacts, Boardlocks



UNITS
mm