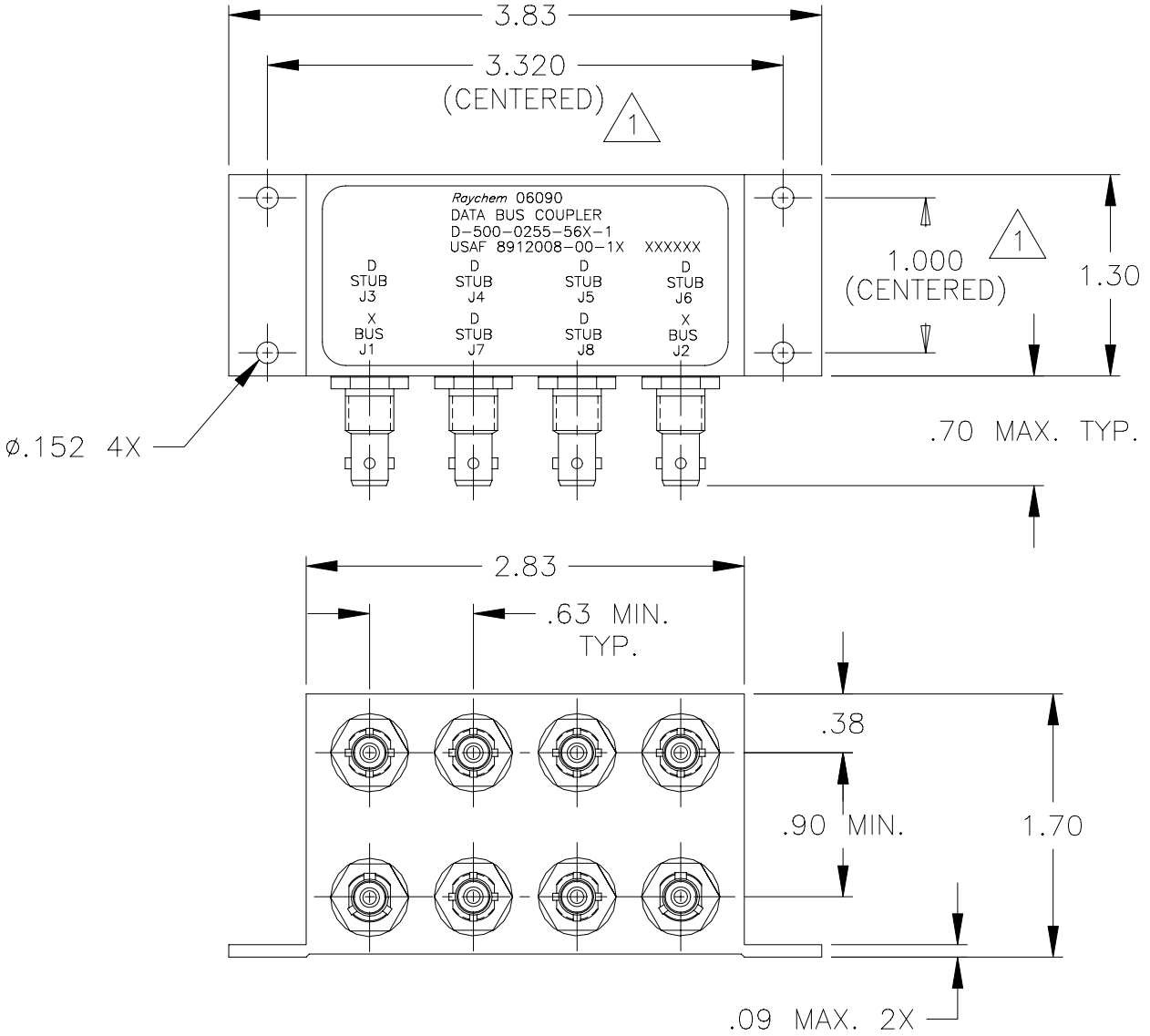


REVISIONS			
LTR	DESCRIPTION	DATE	APPROVED
A	REVISED PER ECN# T-20030	95APR20	Z. TEMAN
B	REVISED PER ECN# T-20327		

NOTES:

1 HOLE PATTERN MACHINED SYMMETRIC WITHIN MOUNTING FLANGE.



If this document is printed it becomes uncontrolled.  
Check for the latest revision.

## SPECIFICATION CONTROL DRAWING

UNLESS OTHERWISE SPECIFIED  
DIMENSIONS ARE IN INCHES.  
METRIC DIMENSIONS ARE  
IN BRACKETS.

DECIMALS  
.XXX ± .010 { — mm }  
.XX ± .03 { — mm }

ANGLES  
.X — ± —

WEIGHT  
[195g MAX]

DRAWN	J.B.K.	91 MAY 6
CHECKED		
APPROVED		
APPROVED	Z.TEMAN	91 JUN 10
CAD NAME	009067-1-DWG	
THIRD ANGLE PROJECTION		

		Tyco Electronics Corporation 300 Constitution Drive Menlo Park, CA. 94025 U.S.A.			
TITLE					
6 STUB, DATA BUS COUPLER WITH TRIAXIAL CONNECTOR					
SIZE	CODE IDENT. NO.	DWG. NO.	REV		
A	06090	D-500-0255-56X-1	B		
DO NOT SCALE THIS DRAWING			SHEET 1 OF 2		

1.0 INTERMATEABILITY

CONNECTOR BOX JACK	MATING PLUG	KEY ("X")
DK-621-0434-1S (8912004-00-05)	DK-621-0433-1P (8912003-00-01)	A
DK-621-0436-2S (8912004-00-06)	DK-621-0435-2P (8912003-00-02)	B
DK-621-0438-3S (8912004-00-07)	DK-621-0437-3P (8912003-00-03)	C
DK-621-0440-4P (8912004-00-04)	DK-621-0439-4S (8912003-00-08)	D

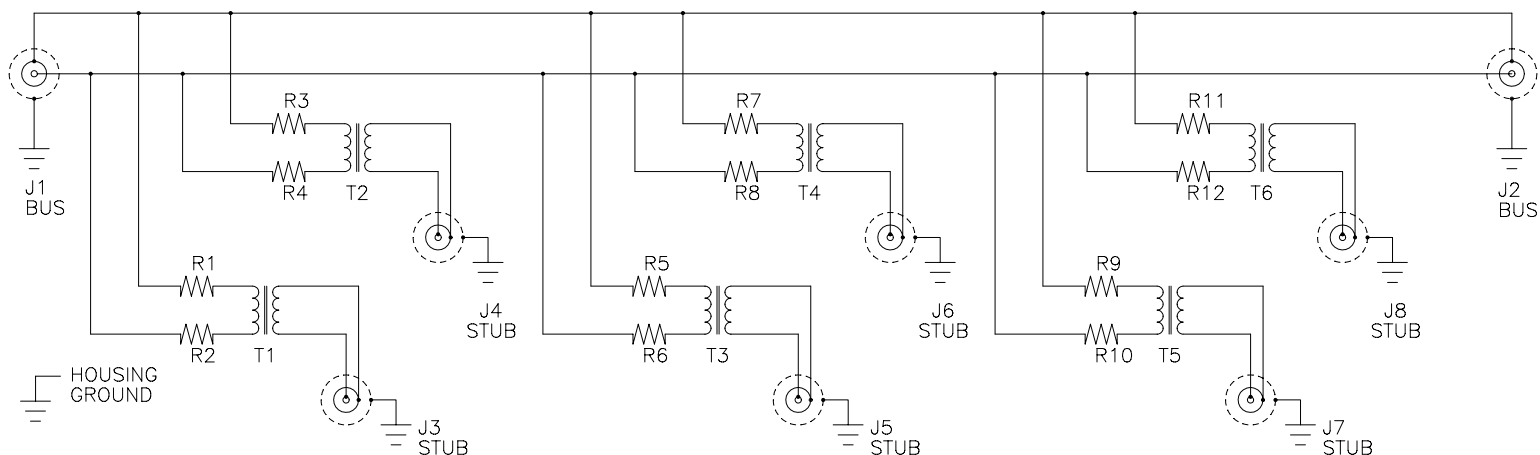
2.0 PERFORMANCE

- 2.1 THIS COUPLER IS DESIGNED TO MEET THE APPLICABLE FUNCTIONAL REQUIREMENT OF RAYCHEM SPECIFICATION D-6021 AND USAF 8912008.
- 2.2 THE COUPLER SHALL OPERATE UNDER ANY OF THE ENVIRONMENTAL SERVICE CONDITIONS AS SPECIFIED IN MIL-E-5400, CLASS  $\nabla$  UPGRADED TO 125°C CONTINUOUS OPERATION.
- 2.3 ALTITUDE: SEA LEVEL TO 75,000 FEET
- 3.0

D-500-0255	BUS JACKS J1 AND J2	STUB JACKS J3 THRU J8
-563-1 (8912008-00-16)	DK-621-0434-1S "A" (8912004-00-01)	DK-621-0440-4P "D" (8912004-00-08)
-565-1 (8912008-00-17)	DK-621-0436-2S "B" (8912004-00-02)	DK-621-0440-4P "D" (8912004-00-08)
-567-1 (8912008-00-18)	DK-621-0438-3S "C" (8912004-00-03)	DK-621-0440-4P "D" (8912004-00-08)

SCHMATIC DIAGRAM

If this document is printed it becomes uncontrolled.  
Check for the latest revision.



CAD NAME: 009067-2	DRAWN	J.B.K.	91 MAY 6	SIZE	CODE IDENT. NO.	DWG. NO.
	ISSUED			A	06090	D-500-0255-56X-1
DO NOT SCALE THIS DRAWING						SHEET 2 OF 2